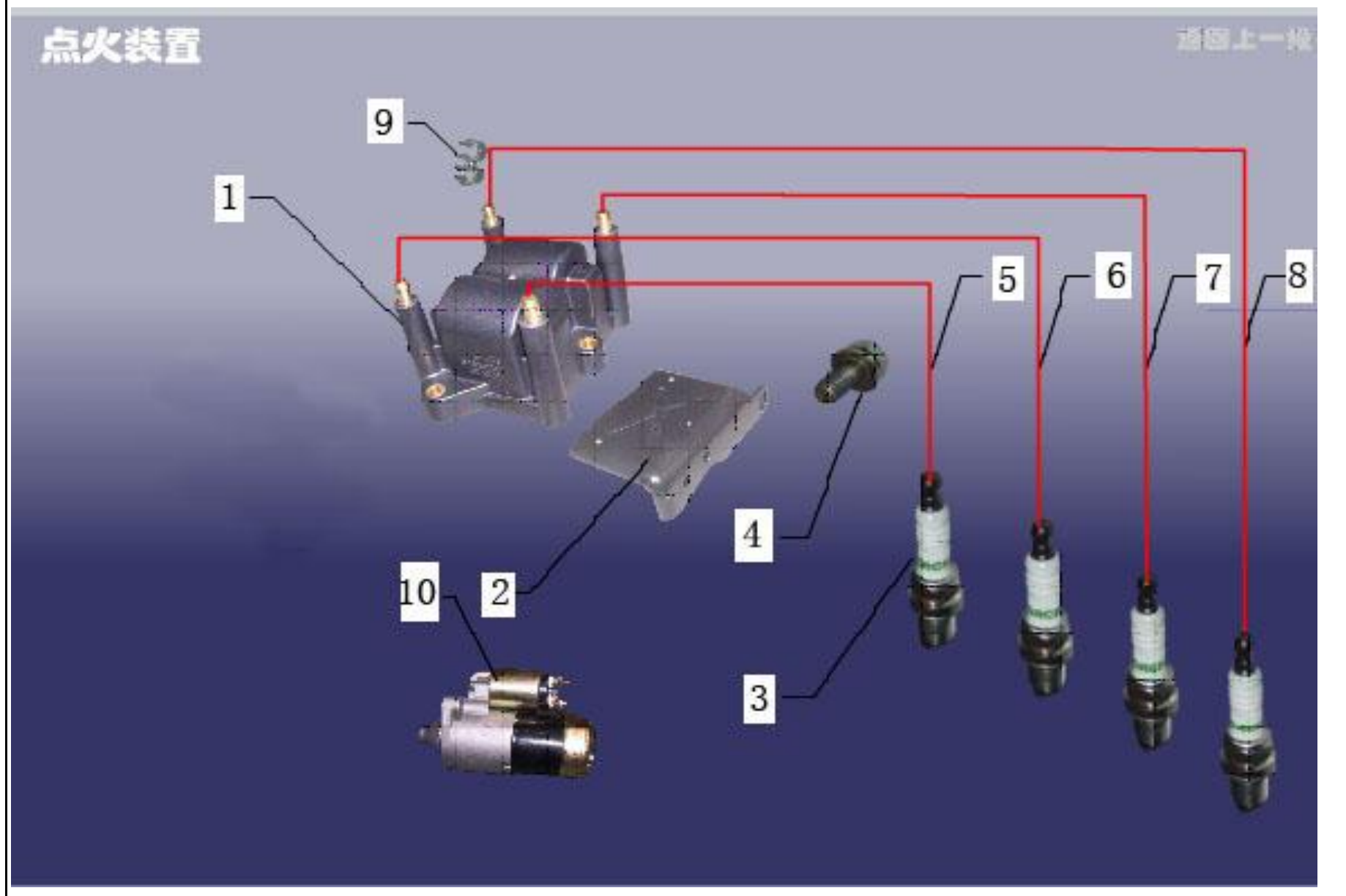


# E01 点火装置 Ignition Device

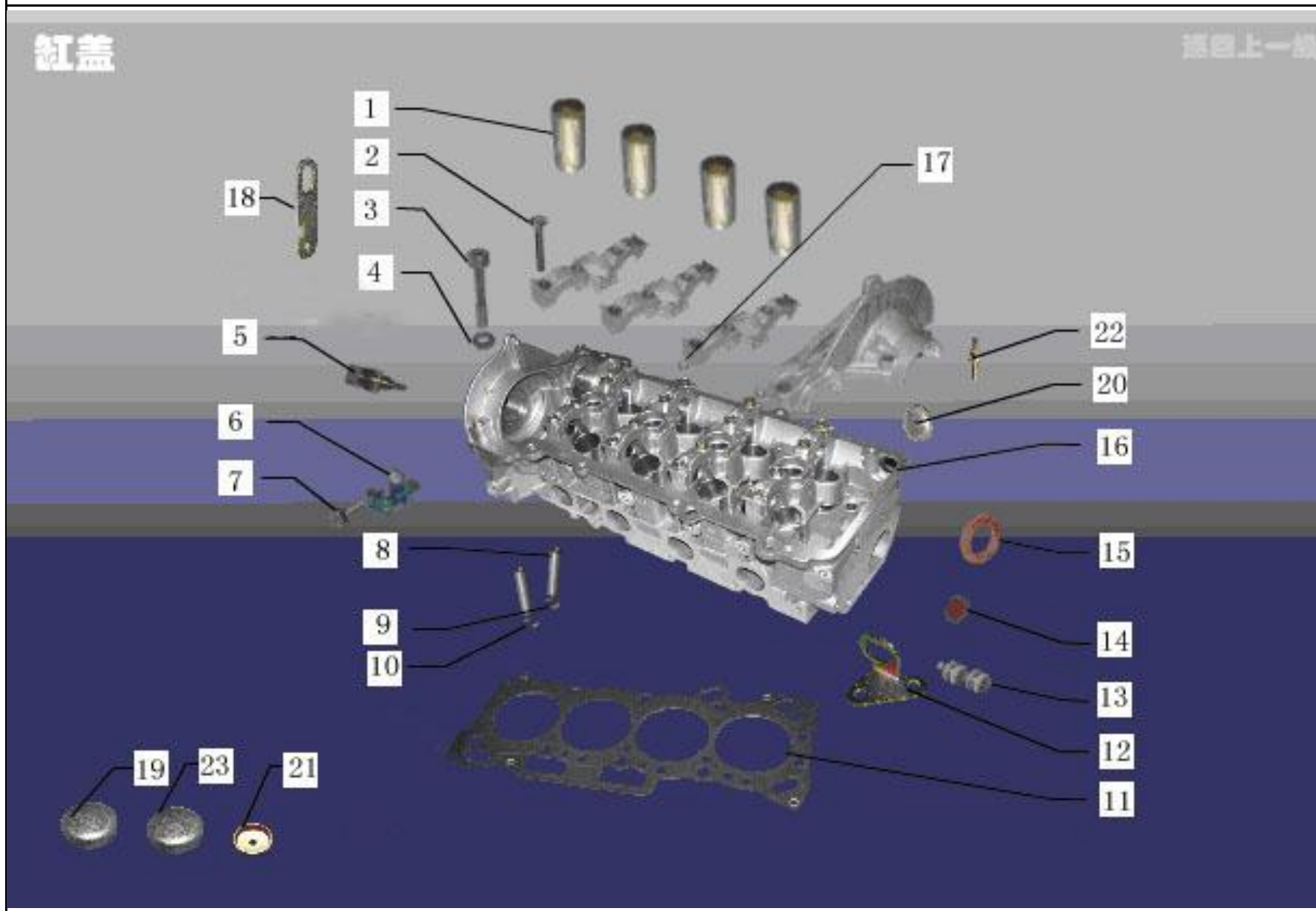


CODE	PART CODE	DESCRIPTION (EN)	DESCRIPTION (CN)	Q' TY	REMARKS
1	S11-3705110JA	Ignition Coil	点火线圈总成	1	
2	S11-3705001CA	Bracket-Ignition Coil	点火线支架	1	
3	S11-3707100	Spark Plug Assy	火花塞总成	4	
4	Q1460820	Bolt,Hexagon Head	螺栓	1	
5	S11-3707020BA	Cord No.1,Hi.Tension	1缸高压线总成	1	
6	S11-3707030BA	Cord No.2,Hi.Tension	2缸高压线总成	1	
7	S11-3707040BA	Cord No.3,Hi.Tension	3缸高压线总成	1	
8	S11-3707050BA	Cord No.4,Hi.Tension	4缸高压线总成	1	
9	S11-3724183	Clip	点火线圈双管卡	1	
10	S11-3708110GA	Starter Assembly	起动机总成	1	
11					
12					
13					
14					
15					
16					
17					
18					
19					
20					
21					
22					
23					
24					

# E02 缸盖 Cylinder Head

缸盖

返回上一级

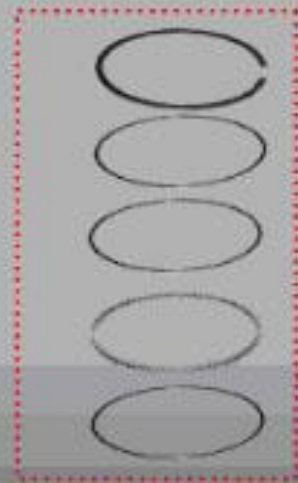


CODE	PART CODE	DESCRIPTION (EN)	DESCRIPTION (CN)	Q' TY	REMARKS
1	372-1003074	Spark Plug Sleeve	火花塞护管	4	
2	Q1400638	Bolt,Hexagon Head	六角螺栓	1	
3	372-1003051	Bolt,Cylinder Head	气缸盖螺栓	1	
4	372-1003052	Cylinder Head Bolt Washer	气缸盖螺栓垫片	1	
5	S11-3808013	Sensor,Water Temp	水温传感器	1	
6	S11-1003069	Sensor,Camshaft Position	凸轮轴位置传感器	1	
7	Q1400816	Bolt,Hexagon Head	六角螺栓	1	
8	372-1003023	Guide-Valve	气门导管	2	
9	372-1003022	Exhaust Valve Seat Insert	排气门座圈	1	
10	372-1003021	Intake Valve Seat Insert	进气门座圈	1	
11	472-1003040AB	Gasket-Cylinder Head	气缸盖螺栓垫片总成	1	
12	372-1003202RA	Hanger-Front Engine	前吊耳	1	
13	Q1840816	Bolt,Hexagon Flange	六角法兰面螺栓	2	
14	372-1003067	Block Cover	堵盖	1	
15	372-1003066	Camshaft Oil Seal	油封-凸轮轴	1	
16	472-1003010	Cylinder Head	气缸盖总成	1	
16	472-BJ1003001	Cylinder Head Packaging Assembly	缸盖分装总成	1	
17	372-1003063	Camshaft Bearing Cap Position Cover	凸轮轴承盖定位套	1	
18	372-1003201BA	Rear Hinger	后吊耳	1	
19	372-1003026	Plug	碗形塞	1	Use For Cylinder Head, Φ26.29mm
20	372-1003024	Plug	碗形塞	1	Use For Cylinder Head, Φ32.34mm
21	372-1003028	Plug	堵塞	1	
22	372-1003038	Stud	双头螺栓	1	
23	372-1003025	Plug	碗形塞	1	
24					
25					

# E03 活塞连杆机构 Piston And Connecting Rod Device

活塞连杆机构

返回上一组



5

2

3

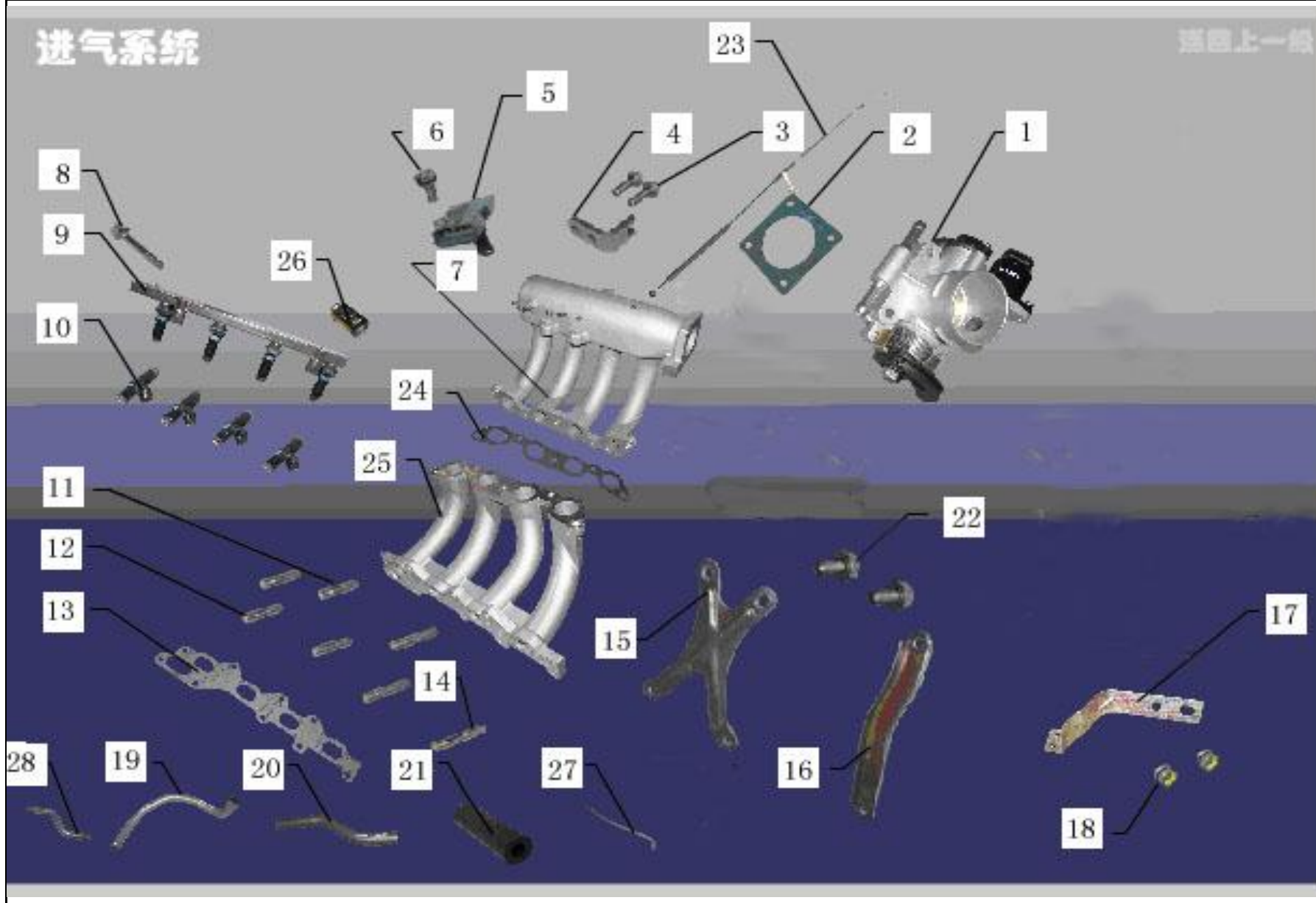
4

1



CODE	PART CODE	DESCRIPTION (EN)	DESCRIPTION (CN)	Q' TY	REMARKS
1	372-1004031	Piston Pin	活塞销	1	
2	372-1004021AC	Piston	活塞	1	
3	372-1004110	Connecting Rod Assy	连杆总成	1	
4	472-BJ1004116BA	+0.25 Connecting-Rod Watt (A Set Of)	+0.25连杆瓦 (一台套)	1	Increase 0.25mm India
4	472-BJ1004116	Connecting-Rod Watt (A Set Of)	连杆瓦 (一台套)	1	Standard
4	372-1004116	Bearing-Connecting Rod	连杆瓦	1	
5	472-BJ1004030BA	+0.25 Piston Assembly (A Set Of)	+0.25活塞环总成 (一台套)	1	Increase 0.25mm India
5	472-BJ1004030	Piston Assembly (A Set Of)	活塞环总成 (一台套)	1	Standard
6					
7					
8					
9					
10					
11					
12					
13					
14					
15					
16					
17					
18					
19					
20					
21					
22					

# E04 进气系统 Intake System



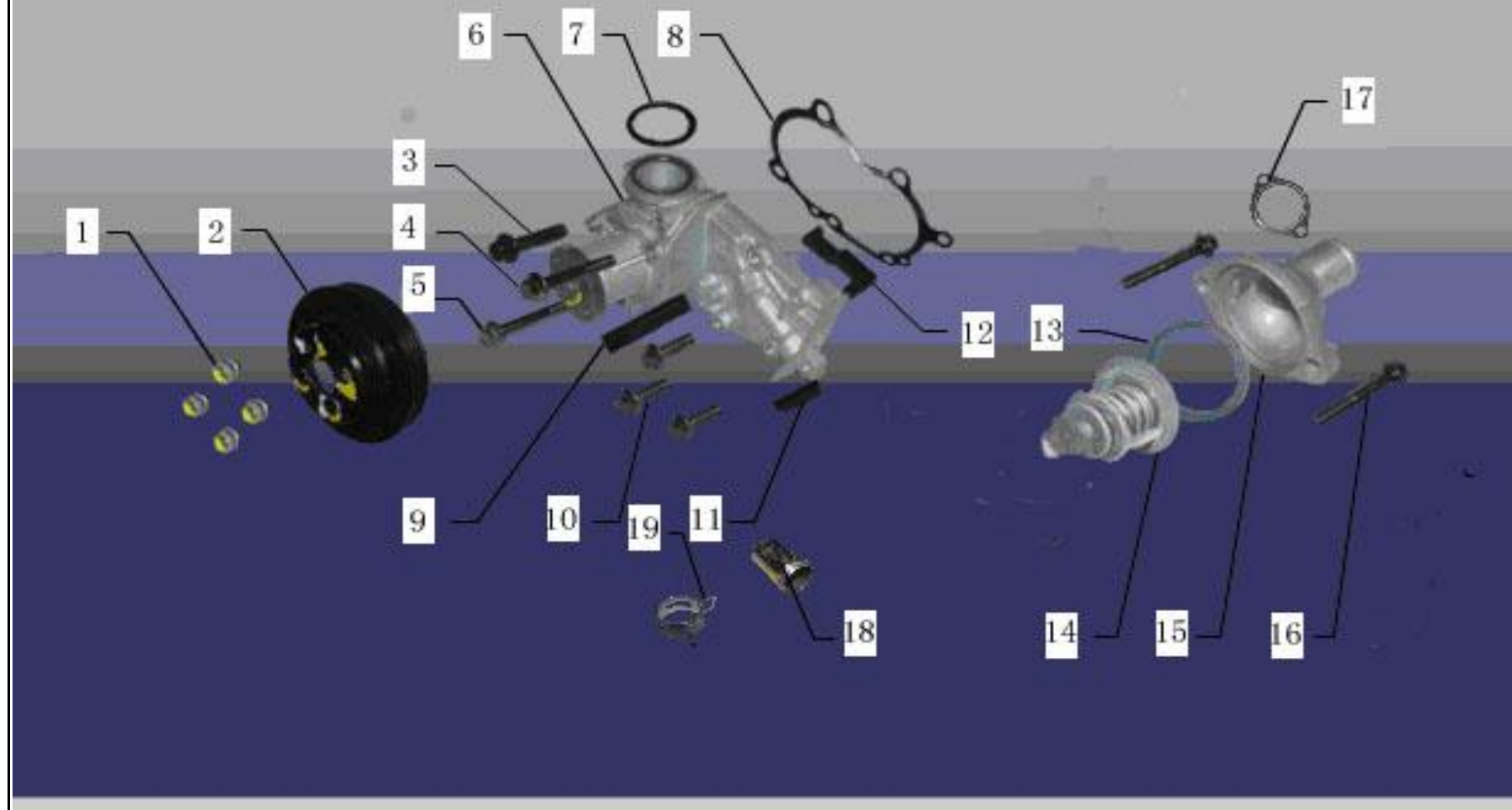
CODE	PART CODE	DESCRIPTION (EN)	DESCRIPTION (CN)	Q' TY	REMARKS
1	S11-1129010JA	Throttle	节气门体总成	1	
2	S11-1129021JA	Gasket-Throttle	节气门体垫片	1	
3	Q1840620	Bolt,Hexagon Lange	六角法兰面螺栓	4	
4	472-1008043	Bracket	油门拉线支架	1	
5	S11-1109411	Pressure Sensor	进气压力温度传动器	1	
6	Q1400416	Bolt,Hexagon Head	六角头螺栓	1	
7	472-1008011	Upper Intake Manifold	进气歧管上体	1	
8	Q1420645	Bolt,Hexagon Head	六角头螺栓	1	
9	S11-1121010JA	Oil Guide	油轨喷油器总成	1	
10	S11-1121020JA	Injector	喷油器总成	4	
11	Q1200835F3	Stud	双头螺柱	3	
12	Q1200828F3	Stud	双头螺柱	2	
13	472-1008021	Gasket-Intake Manifold	进气歧管垫片	1	
14	Q1200828F3	Stud	双头螺柱	2	
15	472-1008041	Intake Manifold Front Bracket	进气歧管前支架	1	
16	372-1008042	Intake Manifold Rear Bracket	进气歧管后支架	1	
17	472-1014110	Bracket	油气分离器支架总成	1	
18	Q1400612	Bolt,Hexagon Head	六角头螺栓	2	
19	472-1014122	Crankcase Ventilation Pipe 2	曲轴箱通风管2	1	
20	472-1014121	Crankcase Ventilation Pipe 1	曲轴箱通风管1	1	
21	372-1014130	Crankcase Ventilation Pipe 3	曲轴箱通风管 (3)	2	
22	Q1840820	Bolt,Hexagon Flange	六角法兰面螺栓	2	
23	<del>S11-1108210DA</del>	<del>Cable-Accel</del>	<del>油门拉线总成</del>	<del>±</del>	<del>无此配件</del>
24	472-1008012	Gasket-Intake Manifold	进气歧管上下体垫片	1	
25	472-1008013	Intake Manifold Lower	进气歧管下体	1	
26	372-1008017	Tie-In	进气管进水管接头	1	
27	472-1014123	Pipe 3	曲轴箱通风管3	1	
28	S11-1109416BA	Tube	胶管-PVC阀至进气管	1	
29					
30					
31					
32					
33					
34					



# E05 冷却装置 Cooling System

冷却装置

返回上一级



CODE	PART CODE	DESCRIPTION (EN)	DESCRIPTION (CN)	Q' TY	REMARKS
1	Q1400612	Bolt,Hexagon Head	六角头螺栓	4	
2	372-1307014	Water Pump Pulley	水泵带轮	1	
3	Q1840840	Bolt,Hexagon Flange	六角法兰面螺栓	1	
4	Q1840855	Bolt (M8x55)	螺栓GB/T16674 M8*55	1	
5	Q1840865	Bolt,Hexagon Flange	六角法兰面螺栓	1	
6	472-1307010	Pump Set,Water	水泵总成	1	
7	372-1307015	Ring,'O'	O形圈	1	
8	372-1307041	Water Pump Washer	水泵垫片	1	
9	372-1307018	Seal Strip 2	密封条2	1	
10	Q1840825	Bolt	螺栓	3	
11	372-1307019	Seal Strip 3	密封条3	1	
12	372-1307012	Seal Strip 1	密封条1	1	
13	GB50-18	Ring,'O' Rubber	O形橡胶密封圈	1	
14	372-1306020	Thermostat Assy	调温器总成	1	
15	472-1306001	Thermostat Assy	调温器座	1	
16	Q1840850	Bolt,Hexagon Flange	六角法兰面螺栓	1	
17	372-1306018	Outer Seat-Thermostat Assy	节温器外座垫	1	
18	372-1306017	Pipe	小循环水管	1	
19	Q673B21	Ring-Elastic Steel Hoop	钢带型弹性环箍	1	
20					
21					
22					
23					
24					

# E06 排气歧管 Exhaust Manifold

排气歧管

返回上一级

1

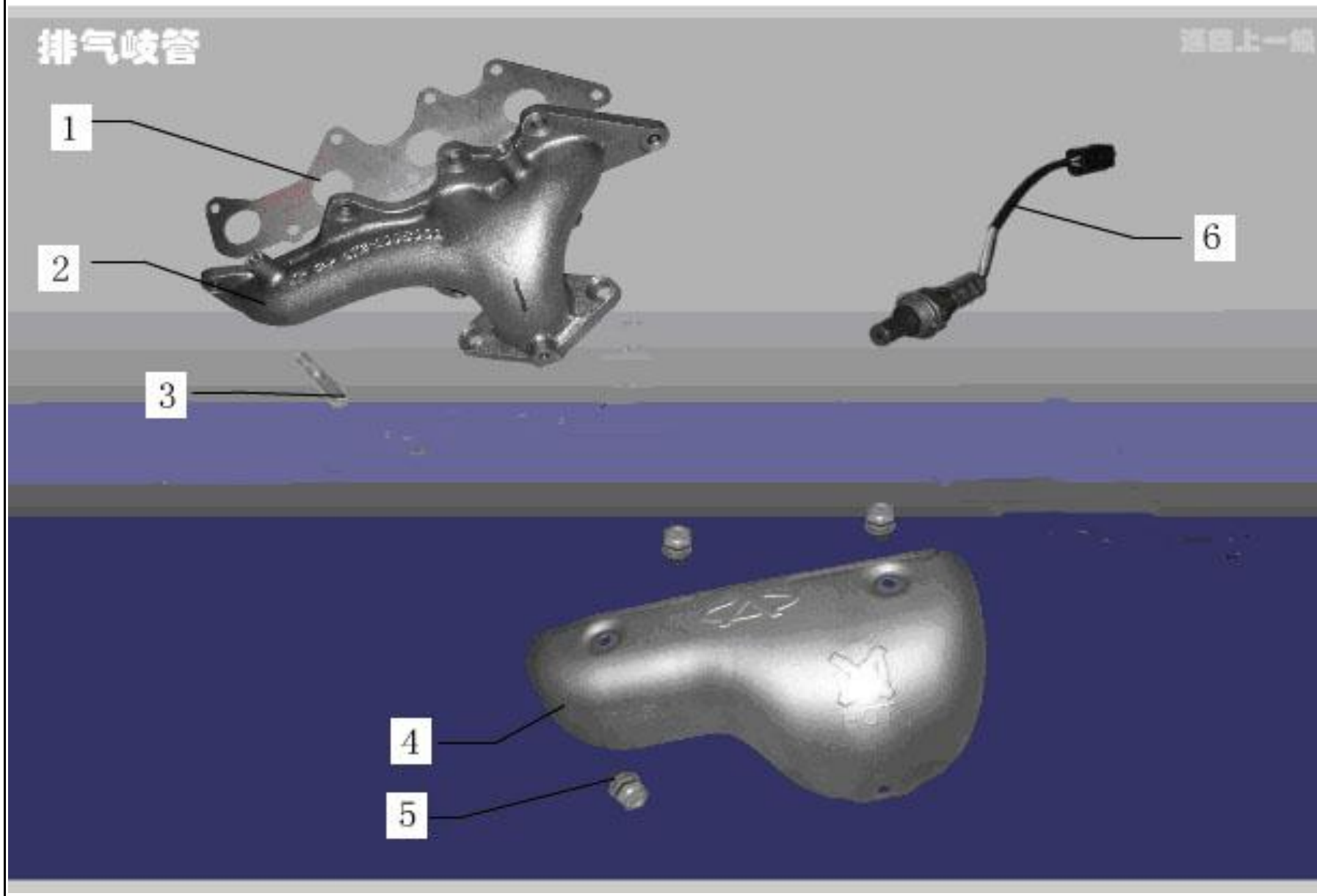
2

3

6

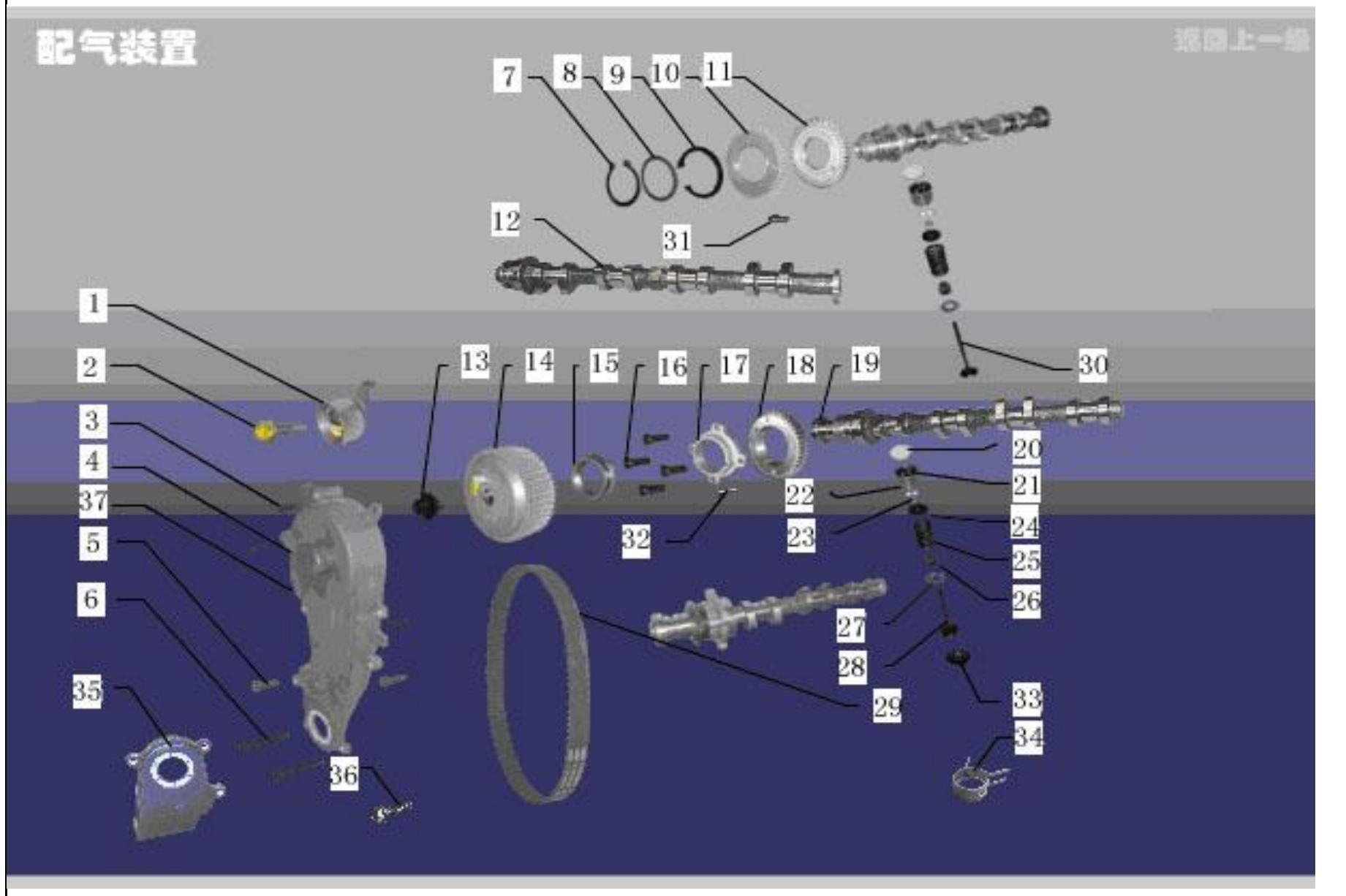
4

5



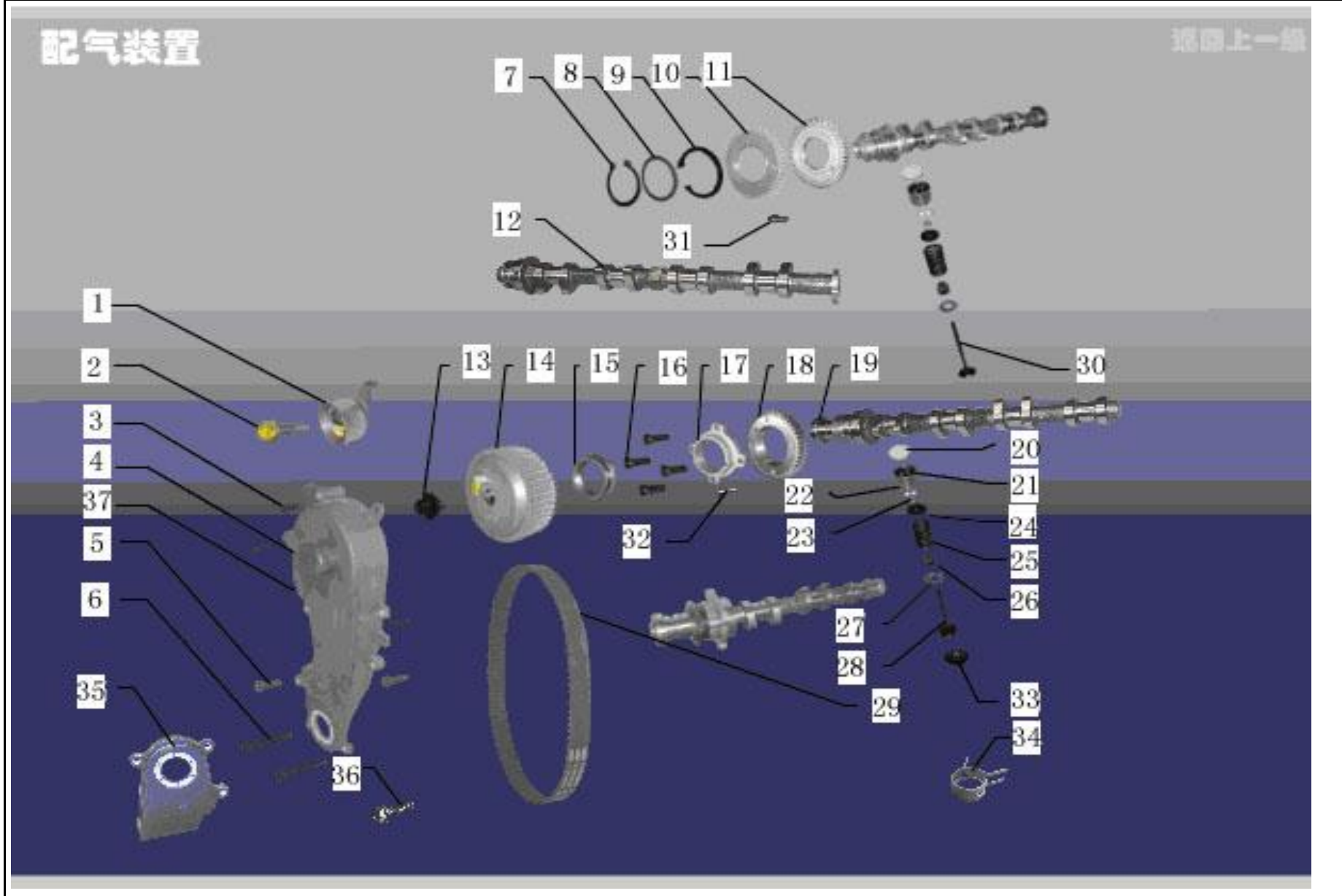
CODE	PART CODE	DESCRIPTION (EN)	DESCRIPTION (CN)	Q' TY	REMARKS
1	472-1008031	Exhaust Manifold	排气歧管垫片	1	
2	472-1008033	Gasket-Exhaust Manifold	排气歧管	1	
3	Q1200825F3	Stud	双头螺栓	1	
4	472-1008044	Heat Insulator	隔热罩	1	
5	Q1460612	Bolt,Hexagon Head	六角头螺栓	3	
6	S11-1205110JA	Oxygen Sensor	氧传感器总成	1	
7					
8					
9					
10					
11					
12					
13					
14					
15					
16					
17					
18					
19					
20					
21					
22					
23					
24					

# E07 配气装置 Valve Mechanism



CODE	PART CODE	DESCRIPTION (EN)	DESCRIPTION (CN)	Q' TY	REMARKS
1	372-1007030	Tensioning Pulley Assy	张紧轮总成	1	
2	Q1401045	Bolt,Hexagon Head	六角螺栓	1	
3	Q1400616	Bolt,Hexagon Head	六角螺栓	3	
4	372-1007040	Timing Gear Cover Assy	正时齿轮盖总成	1	
5	Q1460625	Bolt,Hexagon Head	六角螺栓	2	
6	Q1460650	Bolt,Hexagon Head	六角螺栓	2	
7	Q43140	Ring,Shield-Shaft Spring	轴用弹簧挡圈	1	
8	372-1006032	Saddle Flip Washer	鞍形弹性垫圈	1	
9	372-1006031	Drive Ring	传动环	1	
10	372-1006041	Gear (Deriven) -Intake Camshaft	进气凸轮轴副齿轮	1	
11	372-1006030	Gear (Main) -Intake Camshaft	进气凸轮轴主齿轮	1	
12	472-1006020	Gear (Main) -Intake Camshaft	进气凸轮轴总成	1	
13	372-1006071	Bolt,Hexagon Flange	六角法兰面螺栓	1	
14	372-1006066	Sprocket,Timing Belt	凸轮轴正时齿轮	1	
15	372-1006064	Nut,Lock-Clutch Hub	锁紧螺母	1	
16	Q2180620	Bolt,Inner Hexgon Head	内六角螺母	4	
17	372-1006063	Coupling Flange	连接法兰	1	
18	372-1006062	Exhaust Camshaft Gear	排气凸轮轴齿轮	1	
19	472-1006060	Exhaust Camshaft Gear	排气凸轮轴总成	1	
20	372-1007017	Adjustment Washer	调整垫片	1	
20	372-1007017-18	Adjustment Washer	调整垫片	1	
20	372-1007017-20	Adjustment Washer	调整垫片	1	
20	372-1007017-22	Adjustment Washer	调整垫片	1	2.26MM
20	372-1007017-24	Adjustment Washer	调整垫片	1	2.26MM

# E07 配气装置 Valve Mechanism



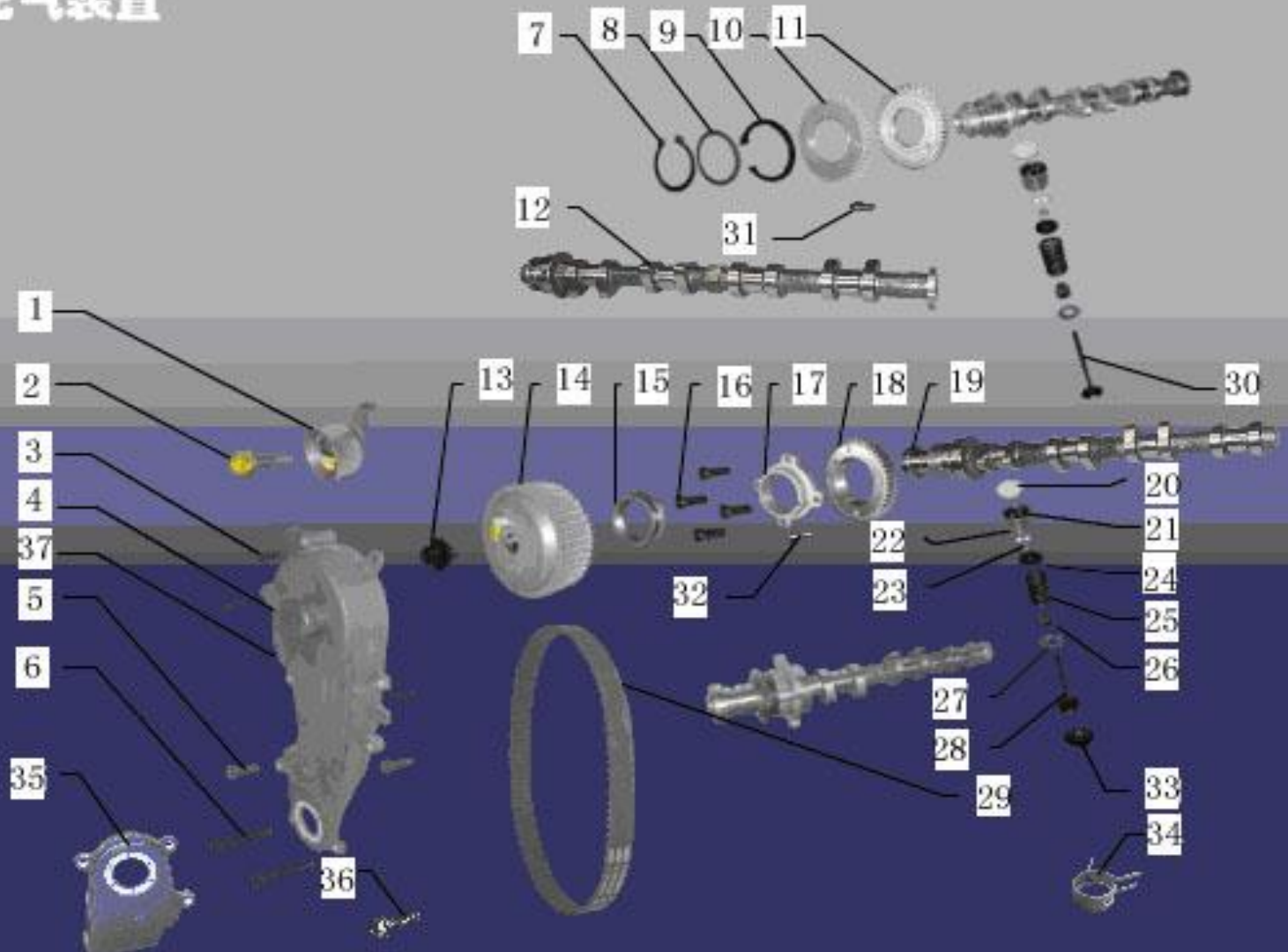
CODE	PART CODE	DESCRIPTION (EN)	DESCRIPTION (CN)	Q' TY	REMARKS
20	372-1007017-26	Adjustment Washer	调整垫片	1	2.34MM
20	372-1007017-28	Adjustment Washer	调整垫片	1	2.28MM
20	372-1007017-30	Adjustment Washer	调整垫片	1	2.30MM
20	372-1007017-32	Adjustment Washer	调整垫片	1	2.32MM
20	372-1007017-34	Adjustment Washer	调整垫片	1	2.34MM
20	372-1007017-36	Adjustment Washer	调整垫片	1	2.36MM
20	372-1007017-38	Adjustment Washer	调整垫片	1	2.38MM
20	372-1007017-40	Adjustment Washer	调整垫片	1	2.40MM
20	372-1007017-42	Adjustment Washer	调整垫片	1	2.42MM
20	372-1007017-44	Adjustment Washer	调整垫片	1	2.44MM
20	372-1007017-46	Adjustment Washer	调整垫片	1	2.46MM
20	372-1007017-48	Adjustment Washer	调整垫片	1	2.48MM
20	372-1007017-50	Adjustment Washer	调整垫片	1	2.50MM
20	372-1007017-52	Adjustment Washer	调整垫片	1	2.52MM
20	372-1007017-54	Adjustment Washer	调整垫片	1	2.54MM
20	372-1007017-56	Adjustment Washer	调整垫片	1	2.56MM
20	372-1007017-58	Adjustment Washer	调整垫片	1	2.58MM
20	372-1007017-60	Adjustment Washer	调整垫片	1	2.60MM
20	372-1007017-62	Adjustment Washer	调整垫片	1	2.62MM
20	372-1007017-64	Adjustment Washer	调整垫片	1	2.64MM
20	372-1007017-66	Adjustment Washer	调整垫片	1	2.66MM
20	372-1007017-68	Adjustment Washer	调整垫片	1	2.68MM
20	372-1007017-70	Adjustment Washer	调整垫片	1	2.70MM
20	372-1007017-72	Adjustment Washer	调整垫片	1	2.72MM



# E07 配气装置 Valve Mechanism

配气装置

返回上一级

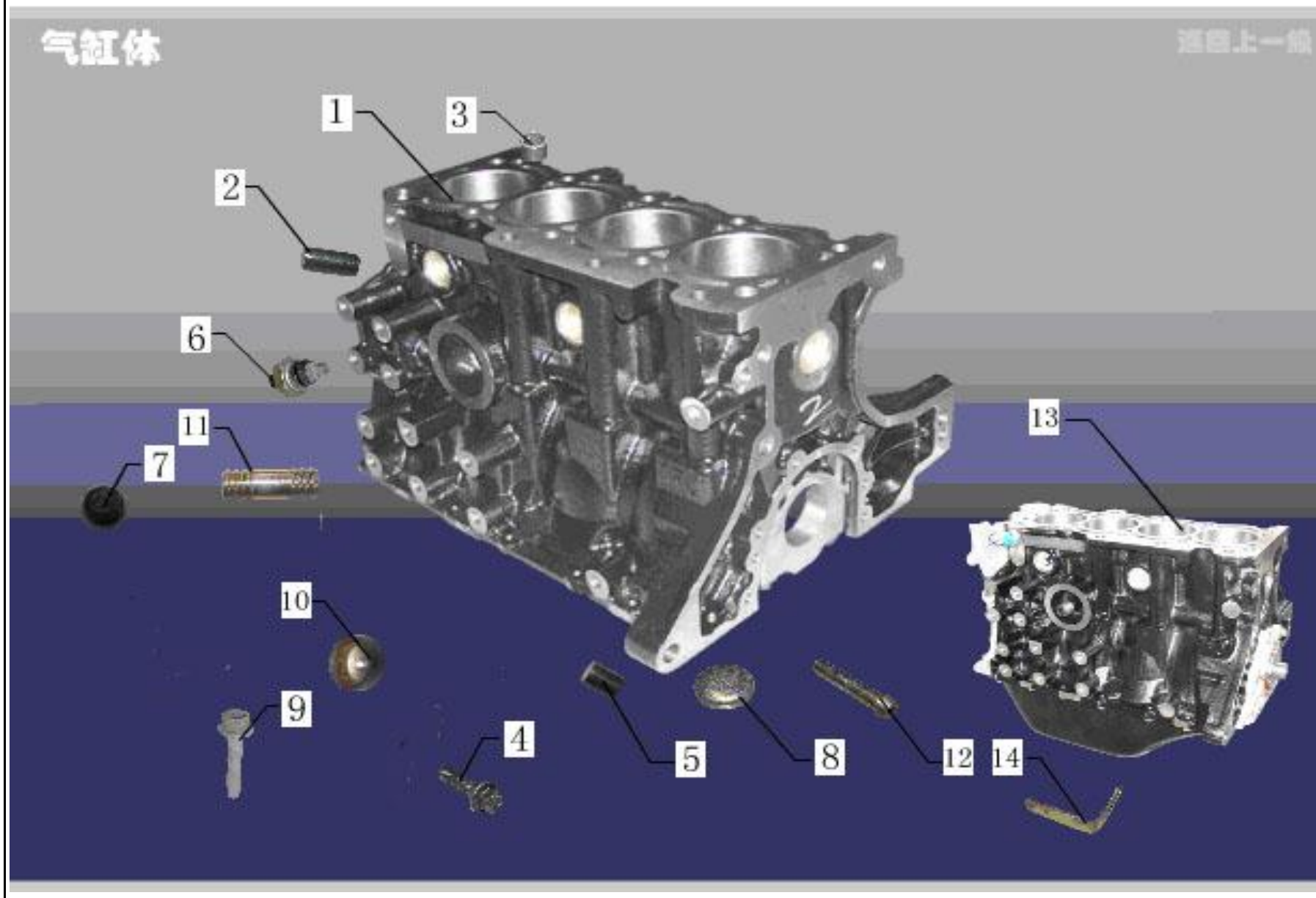


CODE	PART CODE	DESCRIPTION (EN)	DESCRIPTION (CN)	Q' TY	REMARKS
20	372-1007017-74	Adjustment Washer	调整垫片	1	2.74MM
20	372-1007017-76	Adjustment Washer	调整垫片	1	2.76MM
20	372-1007017-78	Adjustment Washer	调整垫片	1	2.78MM
20	372-1007017-80	Adjustment Washer	调整垫片	1	2.80MM
21	372-1007018	Valve Lifter	气门挺柱	1	
22	372-1007019	Valve Lock Block	气门锁块	1	
23	372-1007021	Eddy Sleeve	旋转套	1	
24	372-1007014BA	Upper Seat,Valve Spring	气门弹簧上座	1	
25	372-1007013	Spring-Valve	气门弹簧	1	
26	372-1007020	Seal,Valve	气门油封	1	
27	372-1007016	Lower Valve Spring Seat	气门弹簧下座	1	
28	372-1007012	Valve,Exhaust	排气门	1	
29	372-1007081	Toothed Timing Belt	正时齿带	1	
30	372-1007011	Valve,Inlet	进气门	1	
31	472-1007042	Lower Cover-Timing Gear	正时齿轮盖下体	1	
32	372-1006067	Pin	连接法兰限位销	1	
33	372-1007014	Upper Seat,Valve Spring	气门弹簧上座	1	
34	Q673B155	Clamp Q673B15.5	钢带型弹性环箍	1	
35	372-1006042	Pin	齿轮定位销	1	
36	480-1011062	Bolt	六角法兰面螺栓	1	
37	472-1007041	Upper Cover-Timing Gear	正时齿轮盖上体	1	
38					
39					
40					

# E08 气缸体 Cylinder Block

气缸体

返回上一级

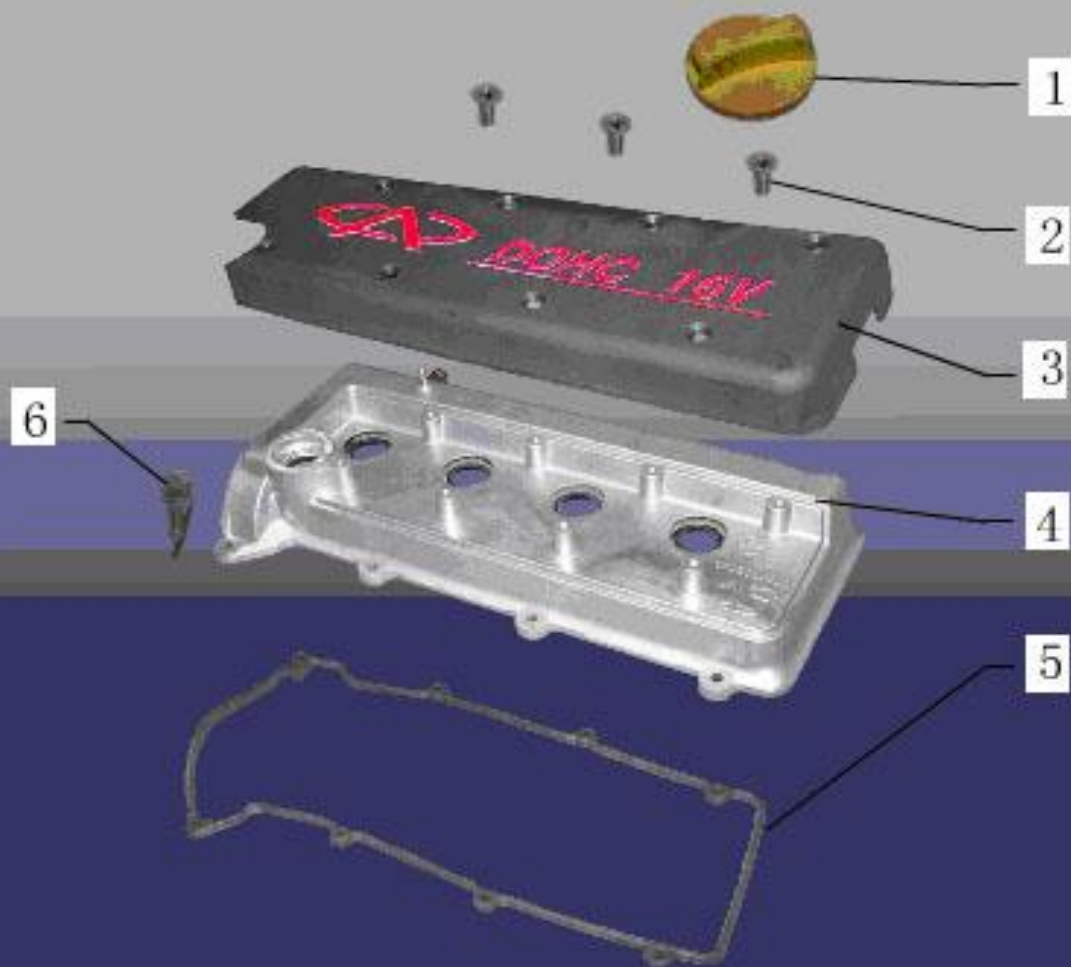


CODE	PART CODE	DESCRIPTION (EN)	DESCRIPTION (CN)	Q' TY	REMARKS
1	472-1002010	Cylinder Block Assy	气缸体总成	1	
2	372-1002037	Position Pin	定位销	1	
3	372-1002044	Cylinder Head Seal Plug	缸盖定位销	1	
4	Q1840830	Bolt,Hexagon Flange	六角法兰面螺栓	1	
5	372-1002036	Position Pin	定位销	1	
6	372-1002070	Oil Pressure Switch	机油压力开关	1	
7	6G10GB308	Ball 6.0000G10 Gb308-89	钢球 6.0000G10 Gb308-89	1	
8	11G10GB308	Ball 11.0000G10 Gb308-89	钢球 11.0000G10 Gb308-89	1	
9	372-1002024	Plug	碗形塞	1	
9	372-1002023	Bolt	主轴承盖螺栓	1	
10	372-1002045	Cover-Oil Control	机油控制盖	1	
11	372-1012021	Tie-In-Oil Filter	机油滤清器接头	1	
12	472-1003027	Vent Pipe	通气管	1	
13	472-BJ1002001	Short Hair Assembly (472)	短发总成	1	
14	472-3701211	Rod Adjustment	调整杆	1	
15					
16					
17					
18					
19					
20					
21					
22					
23					
24					

E09 气门室罩盖 Cover-Valve Chamber

气门室罩盖

返回上一级

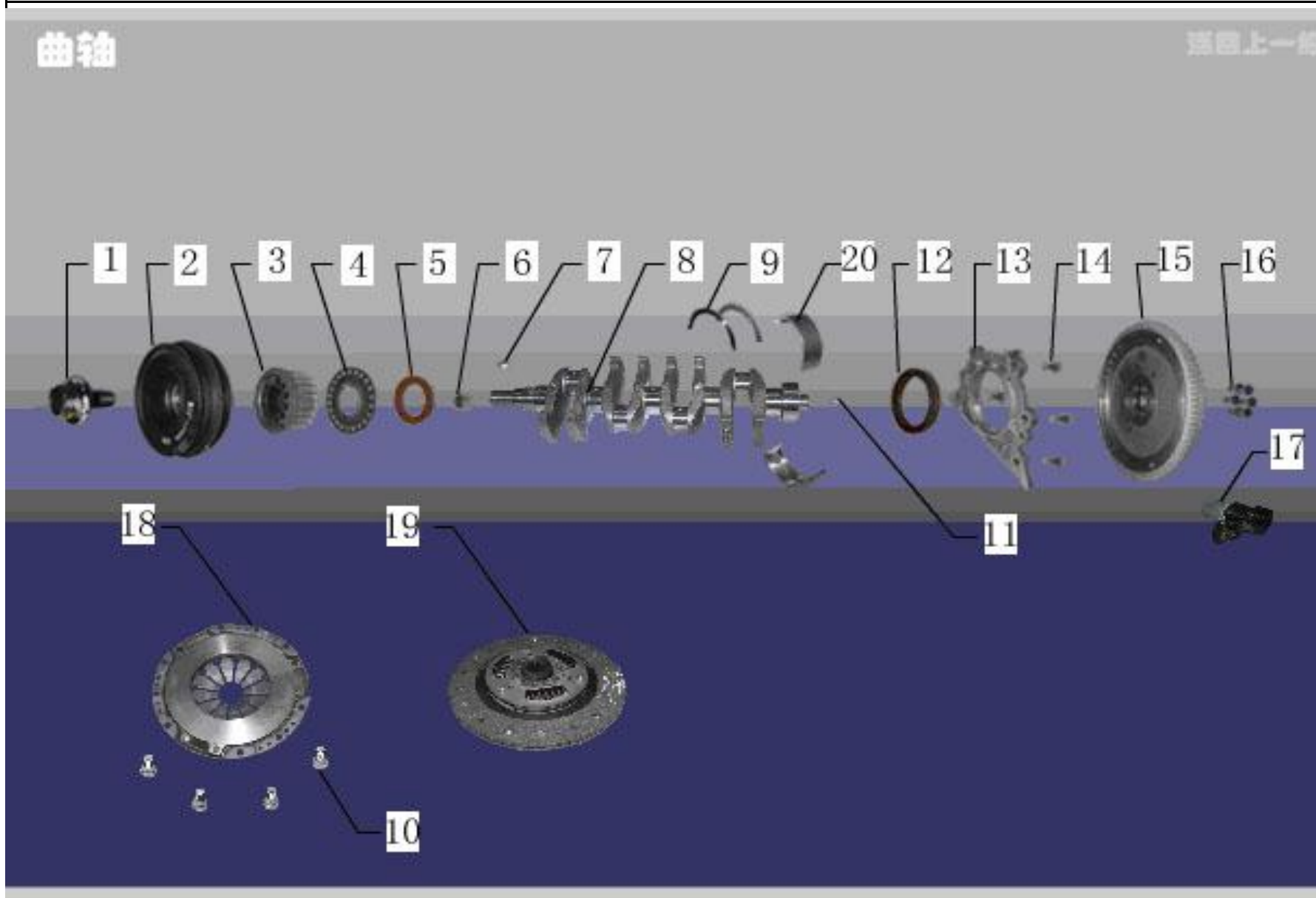


CODE	PART CODE	DESCRIPTION (EN)	DESCRIPTION (CN)	Q' TY	REMARKS
1	372-1003090	Oiling Port Cover Assy	加机油口盖	1	
2	Q2540616	Screw	定位螺钉	3	
3	472-1003075	Cover	火花塞盖板	1	
4	472-1003030	Valve Chamber	气门室罩总成	1	
5	472-1003036	Gasket-Valve Chamber	气门室罩垫片	1	
6	Q1460625	Bolt,Hexagon Head	六角螺栓	1	
7					
8					
9					
10					
11					
12					
13					
14					
15					
16					
17					
18					
19					
20					
21					
22					
23					
24					

# E10 曲轴 Crankshaft

曲轴

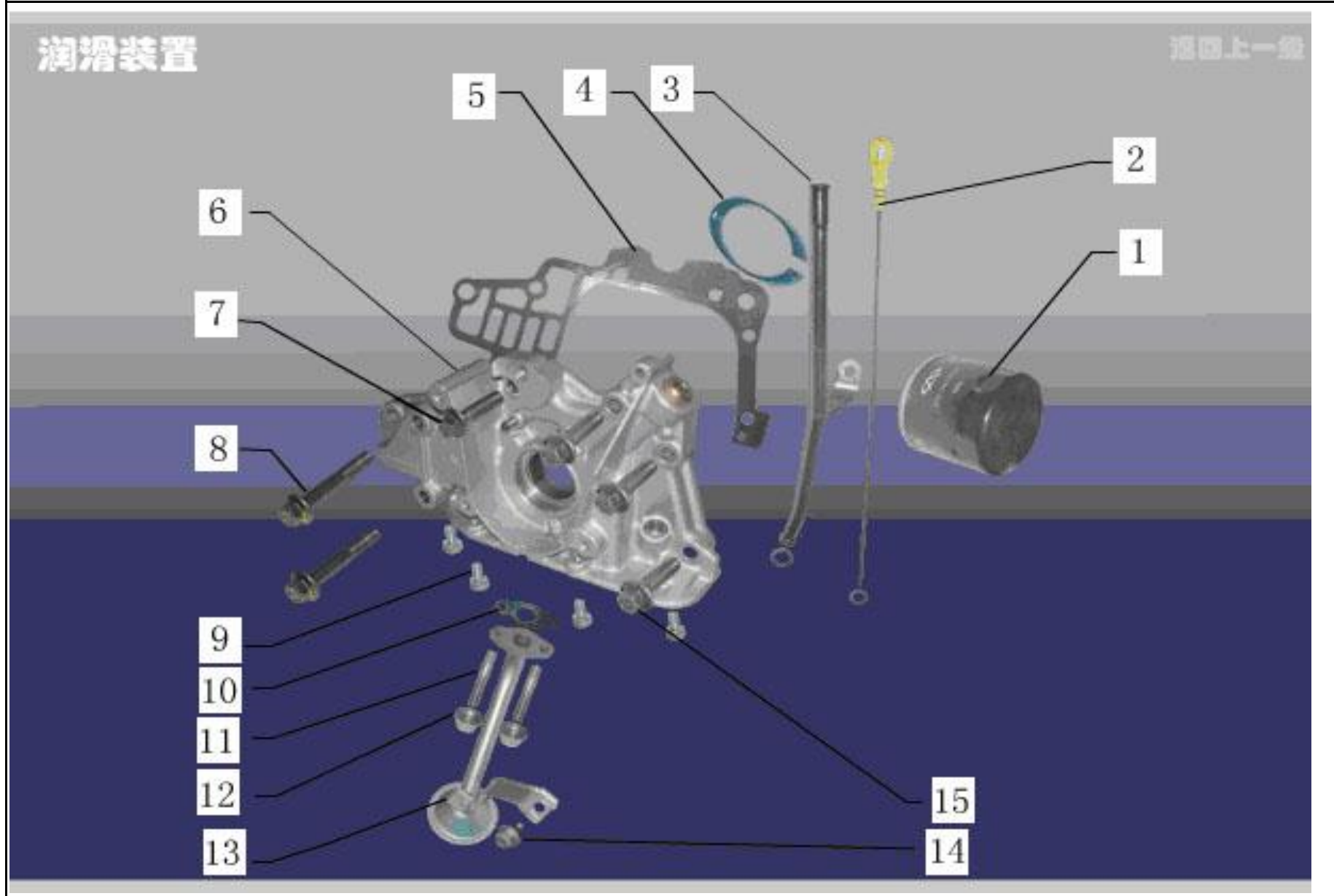
運轉上一般



CODE	PART CODE	DESCRIPTION (EN)	DESCRIPTION (CN)	Q' TY	REMARKS
1	372-1005031	Pulley Bolt	皮带轮螺栓	1	
2	372-1005040	Torsion Shock Absorber Assy	扭轮减震器总成	1	
3	372-1005018	Crankshaft Timing Gear	曲轴正时齿轮	1	
4	372-1005017	Toothed Belt Baffle	齿带挡板	1	
5	372-1005015	Crankshaft Front Oil Seal	曲轴前油封	1	
6	372-1005033	Bearing,Needle	滚针轴承	1	
7	372-1005032	Woodruff Key	半圆键	1	
8	472-1005010	Crankshaft Assy	曲轴总成	1	
9	372-1005016	Stopper Plate	止推片	1	
10	S11-1601101	Bolt,Cover Set	螺栓-盖总成	4	
11	372-1005036	Pin-Dowel	开口定位销	1	
12	372-1005030	Rear Oil Seal	曲轴后油封	1	
13	372-1005021	Rear Oil Seal Bracket	后油封支架	1	
14	Q1840820	Bolt,Hexagon Flange	六角法兰面螺栓	5	
15	372-1005050	Flywheel Assy	飞轮总成	1	
16	372-1005054	Bolt,Lock-Fly Wheel	飞轮螺栓	1	
17	S11-1005117	Sensor,Crankshaft Position	曲轴位置传感器	1	
18	<del>S11-1601020DA</del>	<del>Cover=Clutch</del>	<del>离合器盖总成</del>	±	不需此件
19	<del>S11-1601030CA</del>	<del>Driven-Disk-Assy</del>	<del>从动盘总成</del>	±	不需此件
20	472-BJ1005012	Crankshaft Watt (A Set Of)	曲轴瓦 (一台套)	1	
20	472-BJ1005012BA	+0.25 Crankshaft Watt (A Set Of)	+0.25曲轴瓦总成 (一台套)	1	Increase 0.25mm India
21					
22					
23					



# E11 润滑装置 Lubricating Device

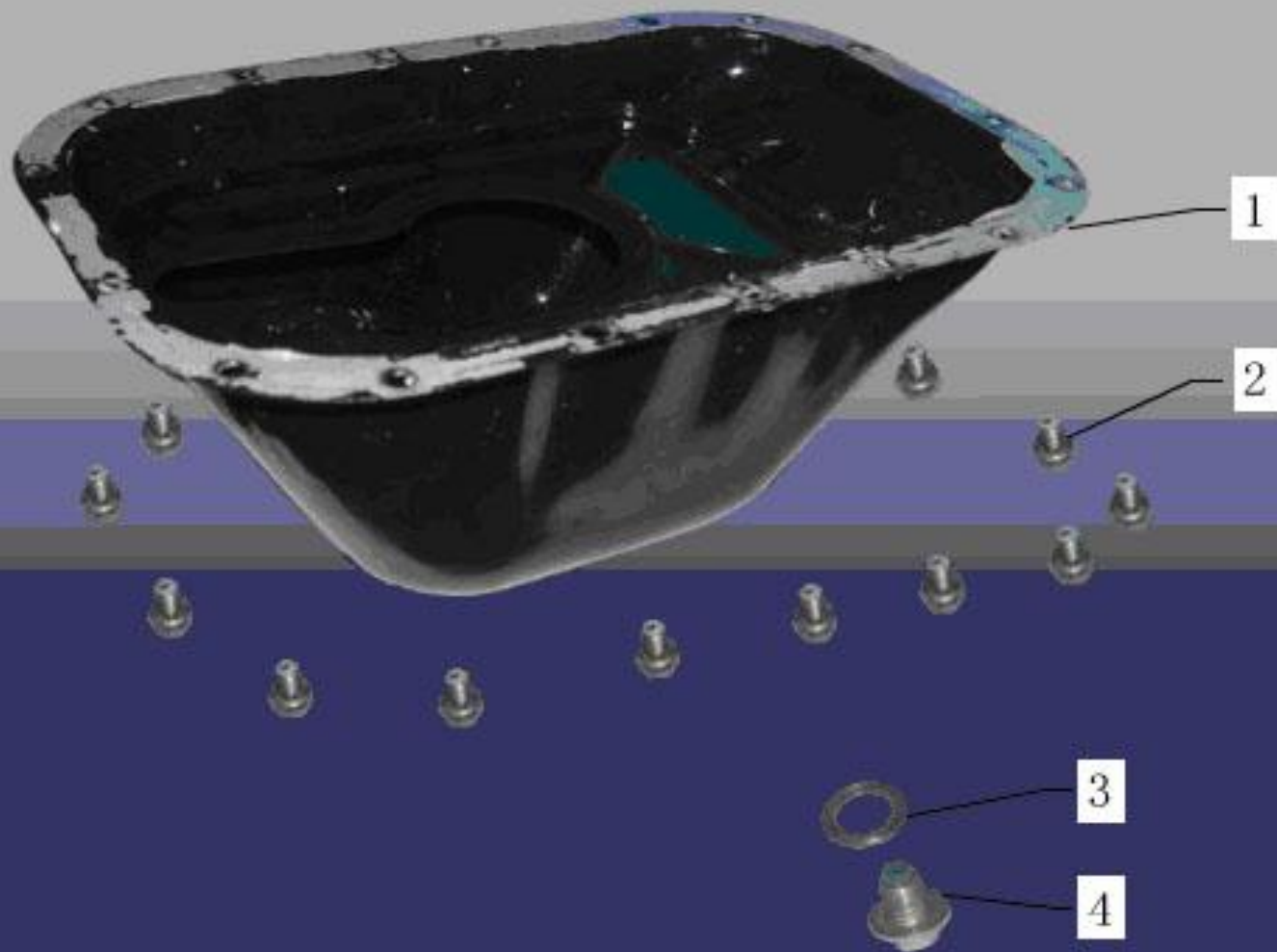


CODE	PART CODE	DESCRIPTION (EN)	DESCRIPTION (CN)	Q' TY	REMARKS
1	372-1012010	Oil Filter Assy	机油滤清器总成	1	
2	472-1009130	Oil Dip Stick Assy	机油标尺	1	
3	472-1009120	Oil Dip Stick Pipe Assy	机油标尺管总成	1	
4	372-1011055	Seal Strip	密封条	1	
5	372-1011021	Oil Pump Washer	机油泵垫片	1	
6	372-1011030	Oil Pump Assy	机油泵总成	1	
7	Q1840825	Bolt	螺栓	1	
8	Q1840855	Bolt (M8X55)	螺栓 GB/T16674 M8*55	2	
9	Q1420612	Bolt,Hexagon Head	螺栓-接油槽总成	4	
10	372-1010017	Oil Strainer Washer	机油收集器垫片	1	
11	Q1200616	Stud	双头螺栓	2	
12	Q33006	Nut,Hexagon	六角螺母	2	
13	372-1010010	Oil Strainer Assy	机油集滤器总成	1	
14	Q1840610	Bolt,Hexagon Flange	六角螺栓	1	
15	Q1840830	Bolt,Hexagon Flange	六角螺栓	3	
16					
17					
18					
19					
20					
21					
22					
23					
24					

# E12 油底壳 Oil Tank

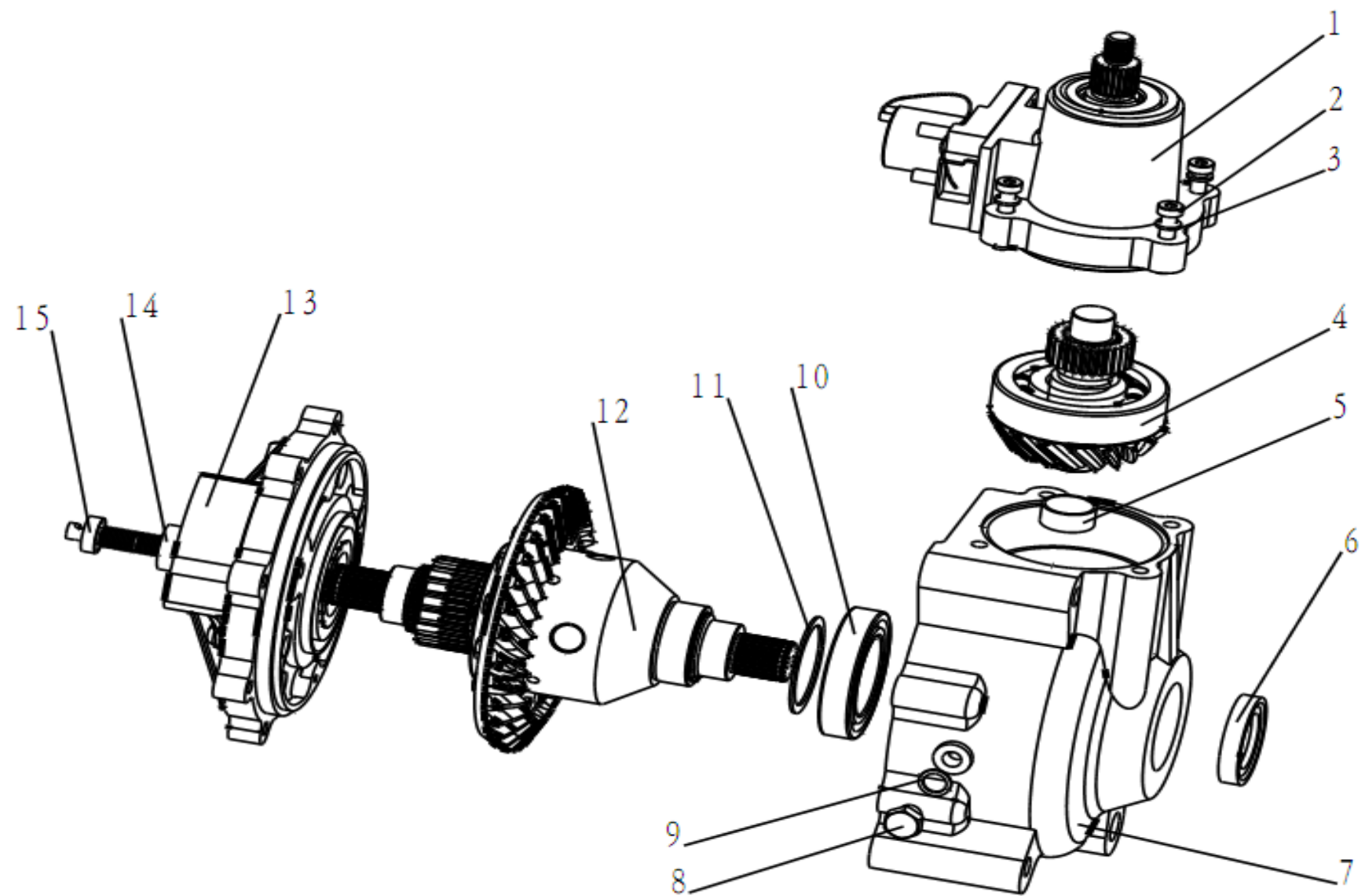
油底壳

返回上一级



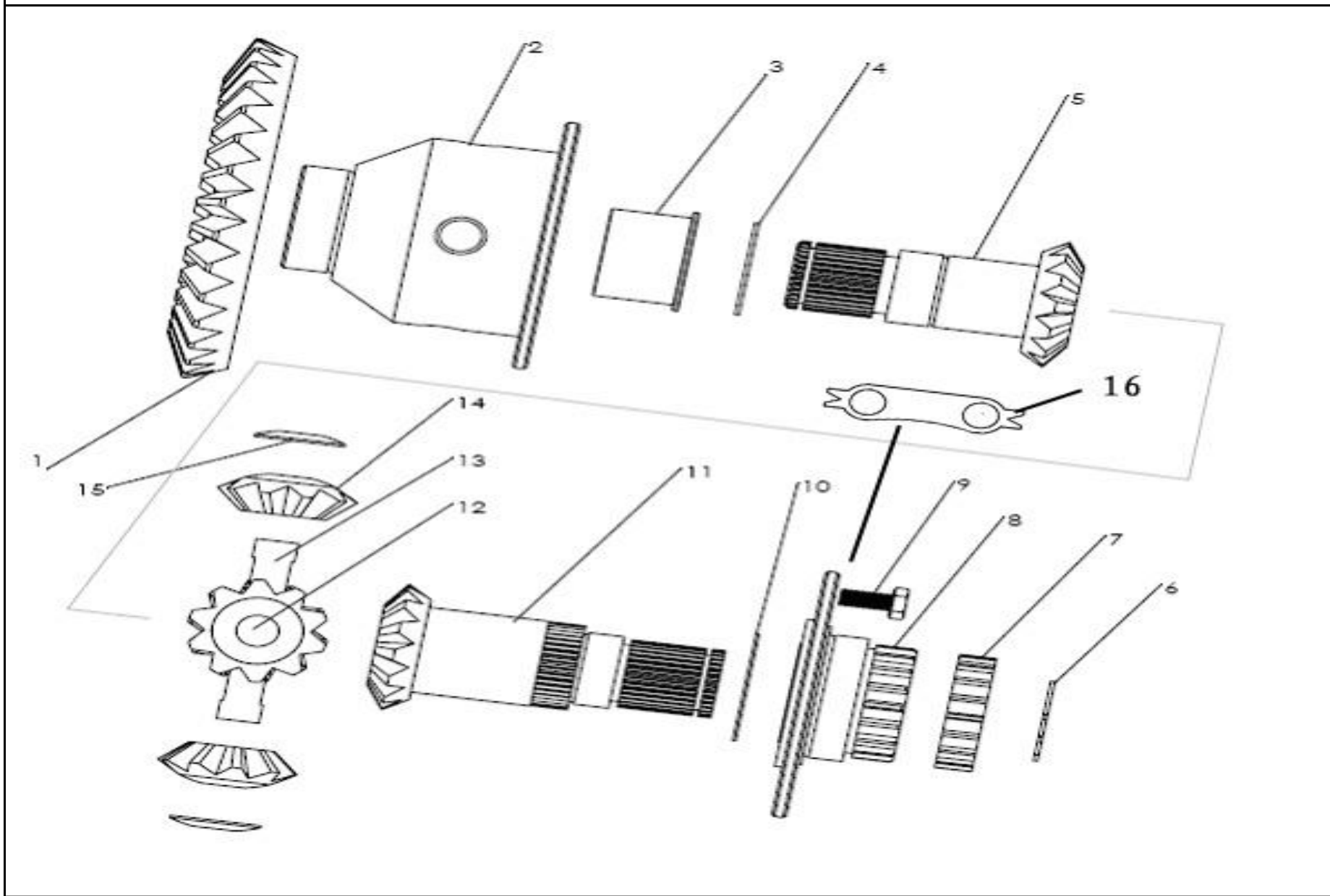
CODE	PART CODE	DESCRIPTION (EN)	DESCRIPTION (CN)	Q' TY	REMARKS
1	472-1009010	Oil Pan Assy	油底壳总成	1	
2	Q1420612	Bolt,Hexagon Head	螺栓-接油槽总成	17	
3	372-1009017	Seal Washer-Oil Drain Threaded Plug	密封垫片-放油螺塞	1	
4	372-1009014	Plug,Magnet	放油螺塞	1	
5					
6					
7					
8					
9					
10					
11					
12					
13					
14					
15					
16					
17					
18					
19					
20					
21					
22					
23					
24					

E13 TR1100.03.01.04.00B 前桥总成 FRONT AXLE



CODE	PART CODE	DESCRIPTION (EN)	DESCRIPTION (CN)	Q' TY	REMARKS
1	UV800-1003-D-00	GEAR MOTOR ASSEMBLY	端盖组合	1	
2	GB/T70-1985/M8*40	BOLT M8*40	内六角螺钉M8*40	4	
3	GB/T93-1987/φ8.5-2.5	SPRING WASHER φ8.5-2.5	弹簧垫圈φ8.5-2.5	4	
4	UV800-3007-S-00	DRIVE GEAR ASSEMBLY	主动齿轮组合	1	
5	NA2512	BEARING NA2512	无油轴承NA2512	1	
6	GB/T13871-92/FV35-55-8F	OIL SEAL 35*55*8	油封FB35-55-8	1	
7	UV800-1001	FRONT DIFFERENTIAL GEAR CASE COVER	箱体	1	
8	GB/T70-1985/M10*20	DRAIN BOLT M10*20	放油螺钉M10*20	1	
9	UV650-10015	WASHER	放油垫圈	1	
10	GB/T276-94/6010	BEARING 6010	球轴承6010	1	
11	UV800-1213	ADJUST WASHER	调整垫圈	1	
12	UV800-1006-00	DIFFERENTIAL GEAR ASSEMBLY	差速器组合	1	
13	UV800-1002-00	DIFFERENTIAL GEAR CASE	侧盖组合	1	
14	GB/T93-1987/φ8.5-2.5	SPRING WASHER φ8.5-2.5	弹簧垫圈φ8.5-2.5	8	
15	GB/T70-1985/M8*40	BOLT M8*40	内六角螺钉 M8*40	8	
16					
17					
18					
19					
20					
21					
22					
23					
24					

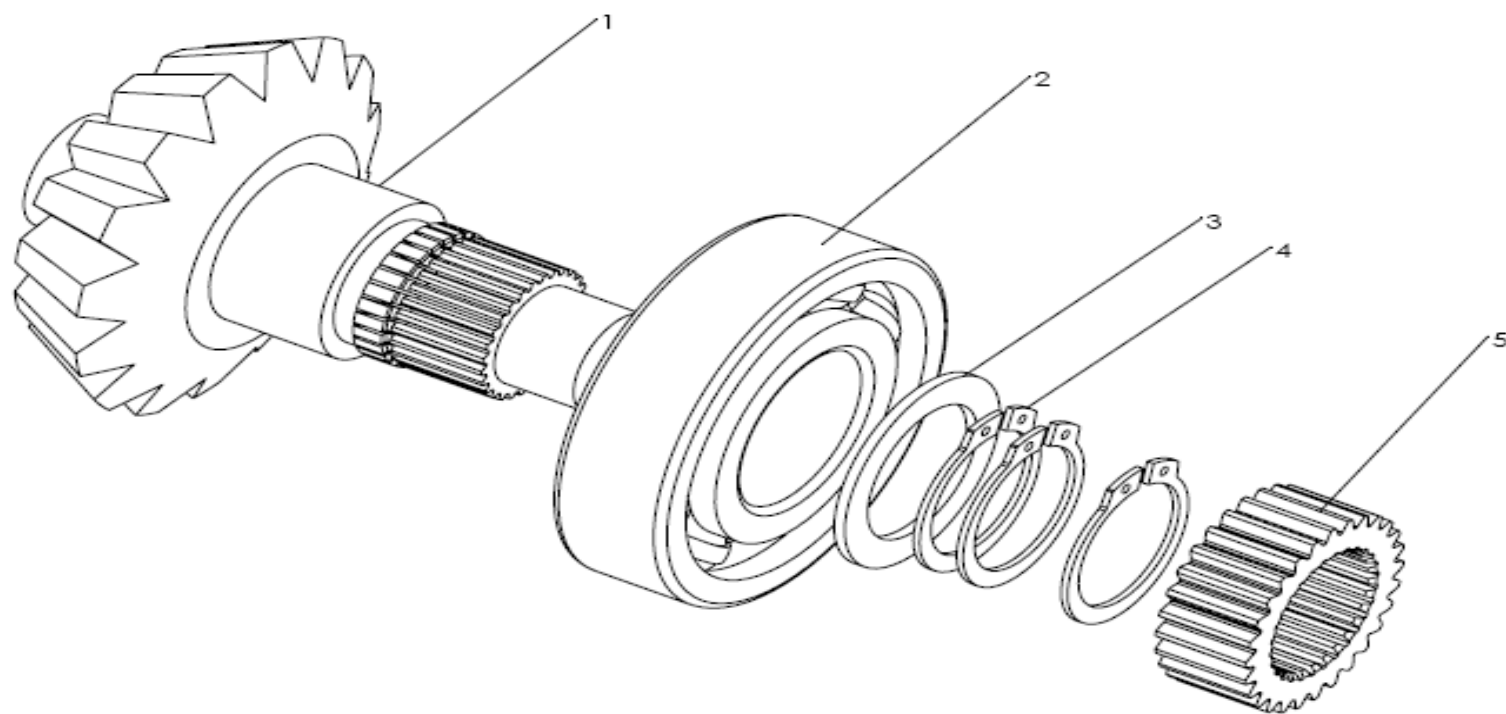
E14 UV800-1206-00 差速器总成 DIFFERENTIAL GEAR ASSEMBLY



CODE	PART CODE	DESCRIPTION (EN)	DESCRIPTION (CN)	Q' TY	REMARKS
1	UV800-3006-S	DRIVEN GEAR	被动齿轮	1	
2	UV800-1207	SUPPORT, DIFFERENTIAL GEAR, R	右差速体	1	
3	UV800-1214	BUSH	衬套	1	
4	UV800-1212	ADJUST WASHER	调整垫圈	1	
5	UV800-1211	GEAR, SHAFT SET, R	右半轴齿轮	1	
6	GB/T894.1-86/Φ35	RETAINER Φ35	轴用挡圈 Φ35	2	
7	UV800-1203	LINK GEAR	结合齿轮	1	
8	UV800-1206	SUPPORT, DIFFERENTIAL GEAR, L	左差速体	1	
9	2000/M8*1*20	BOLT M8*1*20	固定螺栓M8*1*20	12	
10	UV800-1205	ADJUST WASHER	调整垫圈	1	
11	UV800-1204	GEAR, SHAFT SET, R	左半轴齿轮	1	
12	UV800-1208	PLANET GEAR SHAFT 1	行星齿轮轴1	1	
13	UV800-1209	PLANET GEAR SHAFT 2	行星齿轮轴2	1	
14	UV800-1210	PLANET GEAR	行星齿轮	4	
15	UV800-1216	SPHERE WASHER	球面垫圈	4	
16	UV800-1220	RETAINER WASHER	止动垫圈	6	
17					
18					
19					
20					
21					
22					
23					
24					

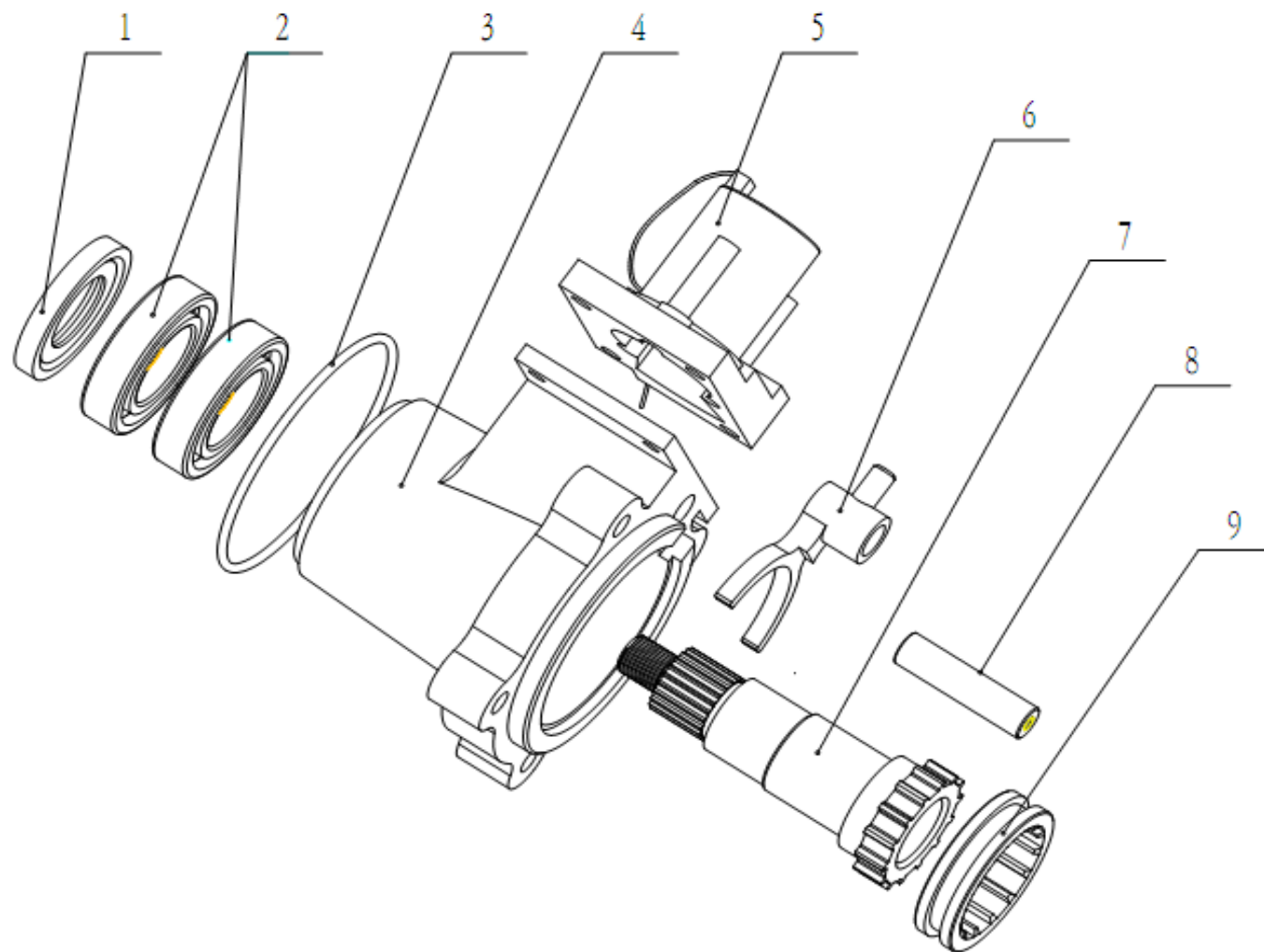


E15 UV800-3007-S-00 主动齿轮总成 DRIVE GEAR ASSEMBLY



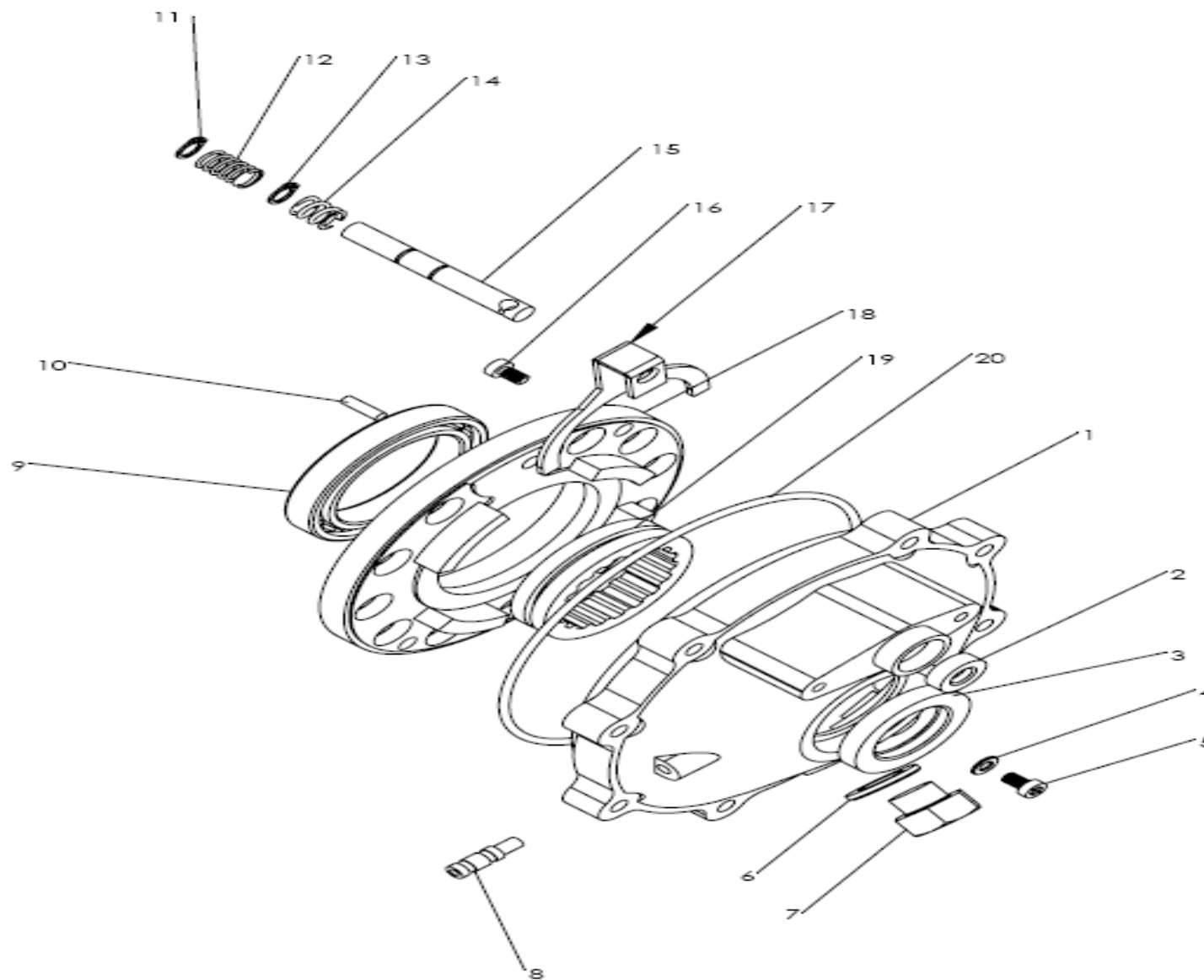
CODE	PART CODE	DESCRIPTION (EN)	DESCRIPTION (CN)	Q' TY	REMARKS
1	UV800-3007-S	DRIVE GEAR	主动齿轮	1	
2	GB/T276-94/6307	BEARING 6307	球轴承6307	1	
3	UV800-1219	WASHER	垫圈	1	
4	GB/T894.1-86/Φ30	RETAINER Φ30	轴用挡圈Φ30	3	
5	QC1-24	LINK GEAR	结合齿轮	1	
6					
7					
8					
9					
10					
11					
12					
13					
14					
15					
16					
17					
18					
19					
20					
21					
22					
23					
24					

E16 UV800-1003-D-00 端盖总成 GEAR MOTOR ASSEMBLY



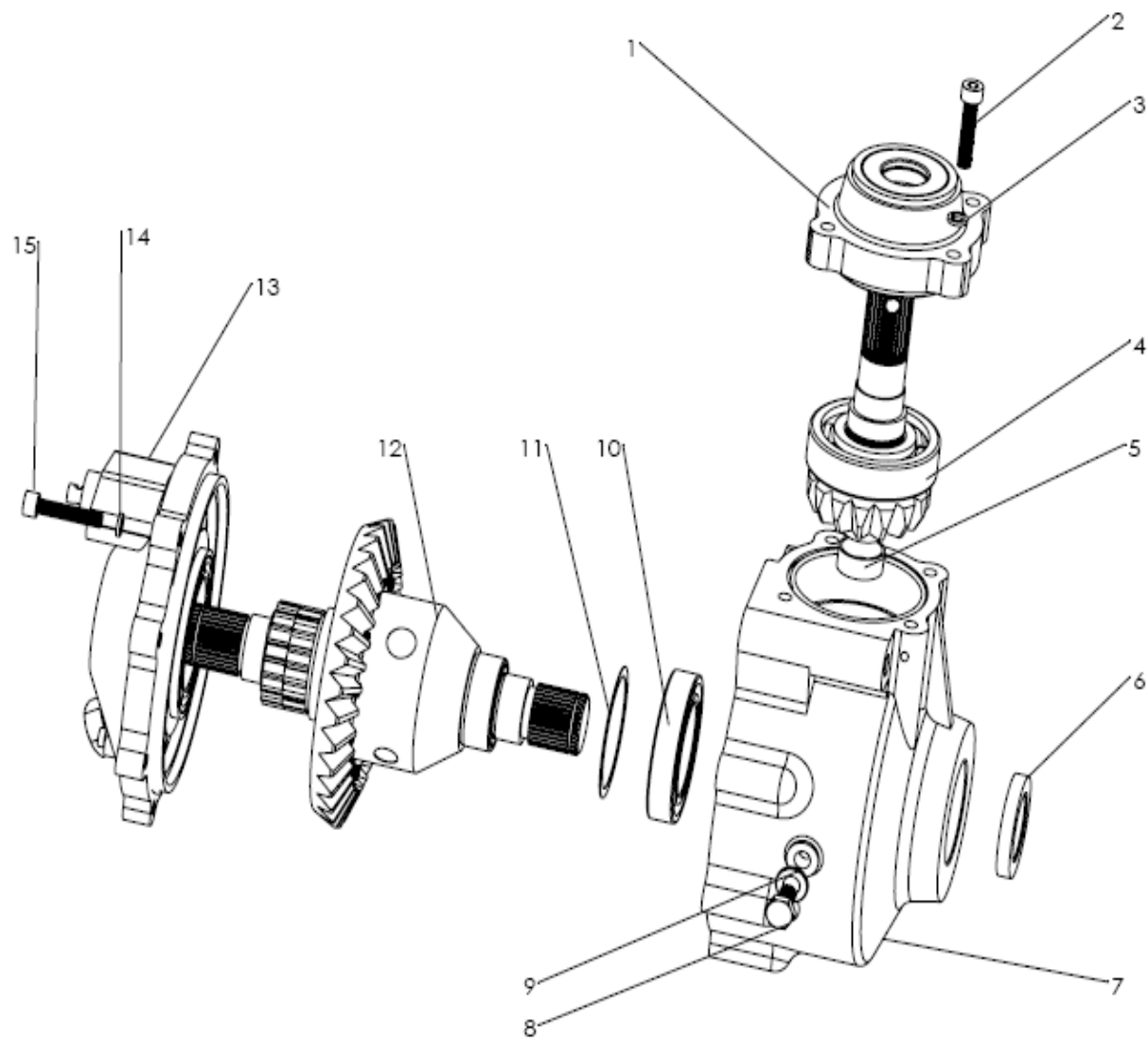
CODE	PART CODE	DESCRIPTION (EN)	DESCRIPTION (CN)	Q' TY	REMARKS
1	GB/T9877.2-88/FB28-52-7F	OIL SEAL 28*52*7	油封FB28-52-7	1	
2	GB/T276-94/6006	BEARING 6006	球轴承 6006	2	
3	GB/T3452.1-92/87.5*2.65	O-RING 87.5*2.65	O型密封圈87.5*2.65	1	
4	UV800-1003-D	GEAR MOTOR	端盖	1	
5	驱动转换器	DRIVE CONVERSION	驱动转换器	1	
6	UV800-1102-A	SHIFT FORK	拨叉	1	
7	UV800-1101-A	GUIDE BAR	拨叉轴	1	
8	UV800-1106-sy	DRIVE INPUT SHAFT	前驱输入轴	1	
9	QC1-25	RETAINER	锁止环	1	
10					
11					
12					
13					
14					
15					
16					
17					
18					
19					
20					
21					
22					
23					
24					

E17 UV800-1002-00 侧盖总成 DIFFERENTIAL GEAR CASE



CODE	PART CODE	DESCRIPTION (EN)	DESCRIPTION (CN)	Q' TY	REMARKS
1	UV800-1002	FRONT DIFFERENTIAL GEAR CASE	箱盖	1	
2	GB/T13871-92/FB10-22-7F	OIL SEAL 10*22*7	油箱FB10-22-7	1	
3	GB/T13871-92/FB35-55-8F	OIL SEAL 35*55*8	油箱FB35-55-8	1	
4	GB/T848-1985/Φ6*1	WASHER	平垫圈Φ6*1	1	
5	GB/T70-1985/M6*10	BOLT M6*10	螺钉M6*10	1	
6	UV650-10005	WASHER	加油口垫圈	1	
7	UV650-10006	STOPPER	加油螺塞	1	
8	UV650-10013	EXHAUST VALVE	排气阀	1	
9	GB/T276-94/61912	BEARING 61912	球轴承61912	1	
10	GB/T829.1-92/Φ5*20	SHAFT Φ5*20	槽销Φ5*20	1	
11	GB/T894.1-86/Φ10	RETAINER Φ10	轴用挡圈Φ10	1	
12	UV800-1201-2	SPRING	弹簧	1	
13	GB/T894.1-86/Φ10	RETAINER Φ10	轴用挡圈Φ10	1	
14	UV800-1201-5	SPRING	弹簧	1	
15	ZLQ7-22	RETAINER GUIDE BAR	锁止拨叉轴	1	
16	GB/T70-1985/M6*16	BOLT M6*16	内六角螺钉M6*16	2	
17	UV800-1201-4	RETAINER SHIFT FORK	锁止拨叉	1	
18	UV800-1005A	INNER COVER	内盖	1	
19	UV800-1202	RETAINER	锁止环	1	
20	GB/T3452.1-92/Φ160*2.65	O-RING 160*2.65	O型密封圈Φ160*2.65	1	
21					
22					
23					
24					

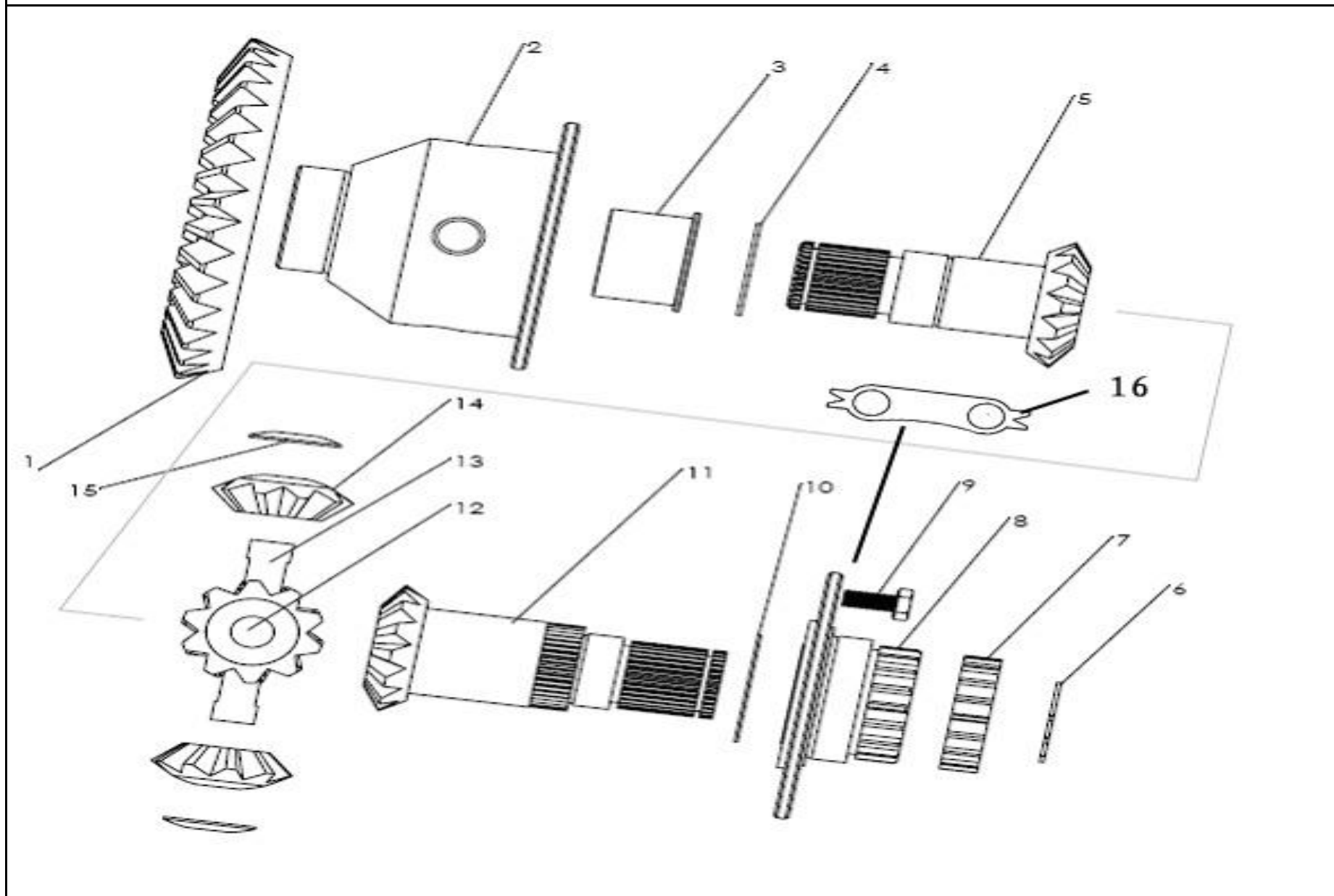
E18 TR1100. 03. 02. 04. 00A 后桥总成 REAR AXLE



CODE	PART CODE	DESCRIPTION (EN)	DESCRIPTION (CN)	Q' TY	REMARKS
1	UV800-1021-00	GEAR MOTOR ASSEMBLY	端盖组合	1	
2	GB/T70-1985/M8*40	BOLT M8*40	内六角螺钉M8*40	4	
3	2.5	SPRING WASHER $\phi$ 8.5-2.5	弹簧垫圈 $\phi$ 8.5-2.5	4	
4	UV800-3022-S-00	DRIVE GEAR ASSEMBLY	主动齿轮组合	1	
5	NA2512	BEARING NA2512	无油轴承NA2512	1	
6	GB/T13871-92/FV35-55-8F	OIL SEAL 35*55*8	油封FB35-55-8	1	
7	UV800-1001	FRONT DIFFERENTIAL GEAR CASE COVER	箱体	1	
8	GB/T70-1985/M10*20	DRAIN BOLT M10*20	放油螺钉M10*20	1	
9	UV650-10015	WASHER	放油口垫圈	1	
10	GB/T276-94/6010	BEARING 6010	球轴承6010	1	
11	UV800-1213	ADJUST WASHER	调整垫圈	1	
12	UV800-3023-S-00	DIFFERENTIAL GEAR ASSEMBLY	差速器组合	1	
13	UV800-1002-00	DIFFERENTIAL GEAR CASE	侧盖组合	1	
14	2.5	SPRING WASHER $\phi$ 8.5-2.5	弹簧垫圈 $\phi$ 8.5-2.5	8	
15	GB/T70-1985/M8*40	BOLT M8*40	内六角螺钉 M8*40	8	
16					
17					
18					
19					
20					
21					
22					
23					
24					

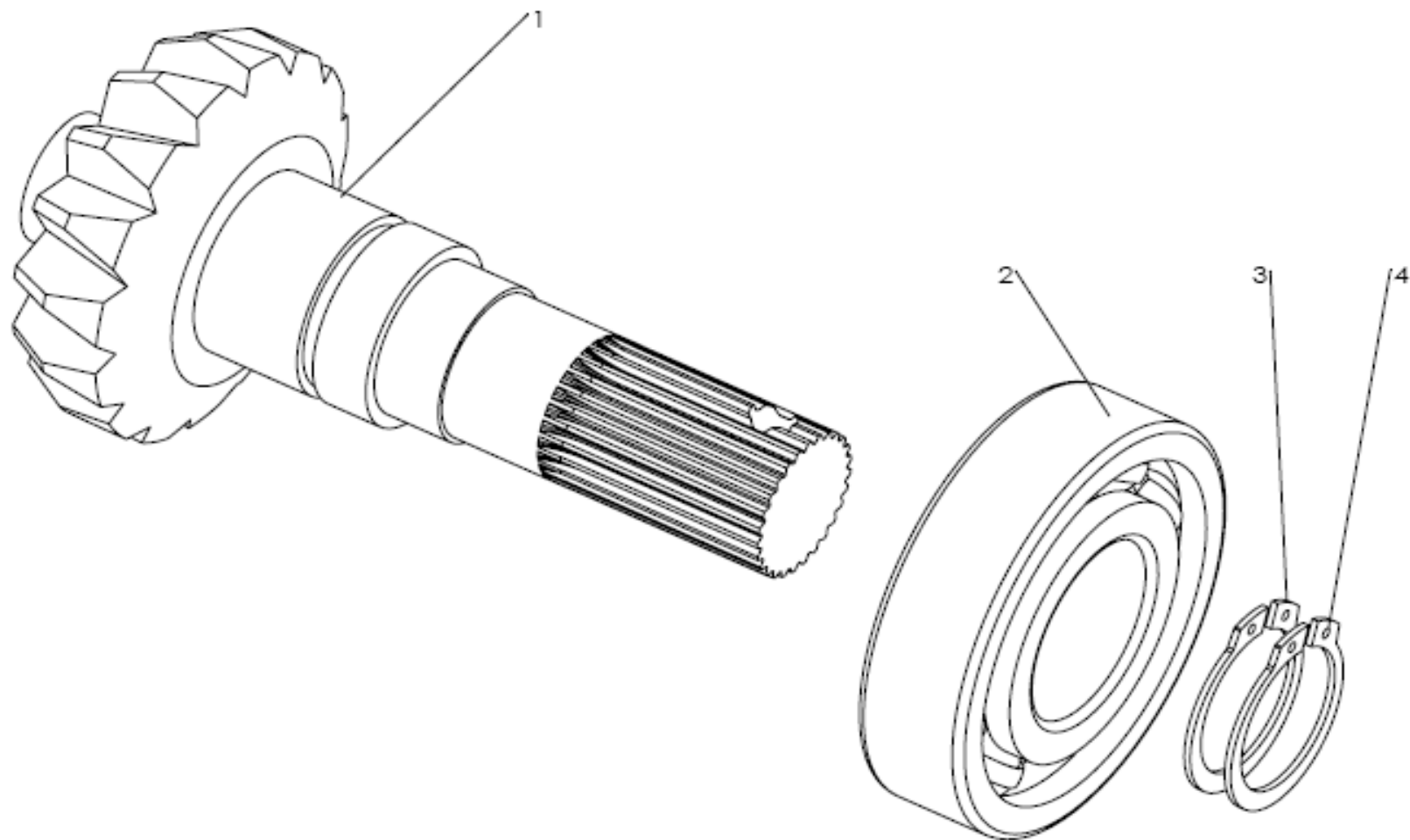


E19 UV800-3023-S-00 差速器总成 DIFFERENTIAL GEAR ASSEMBLY



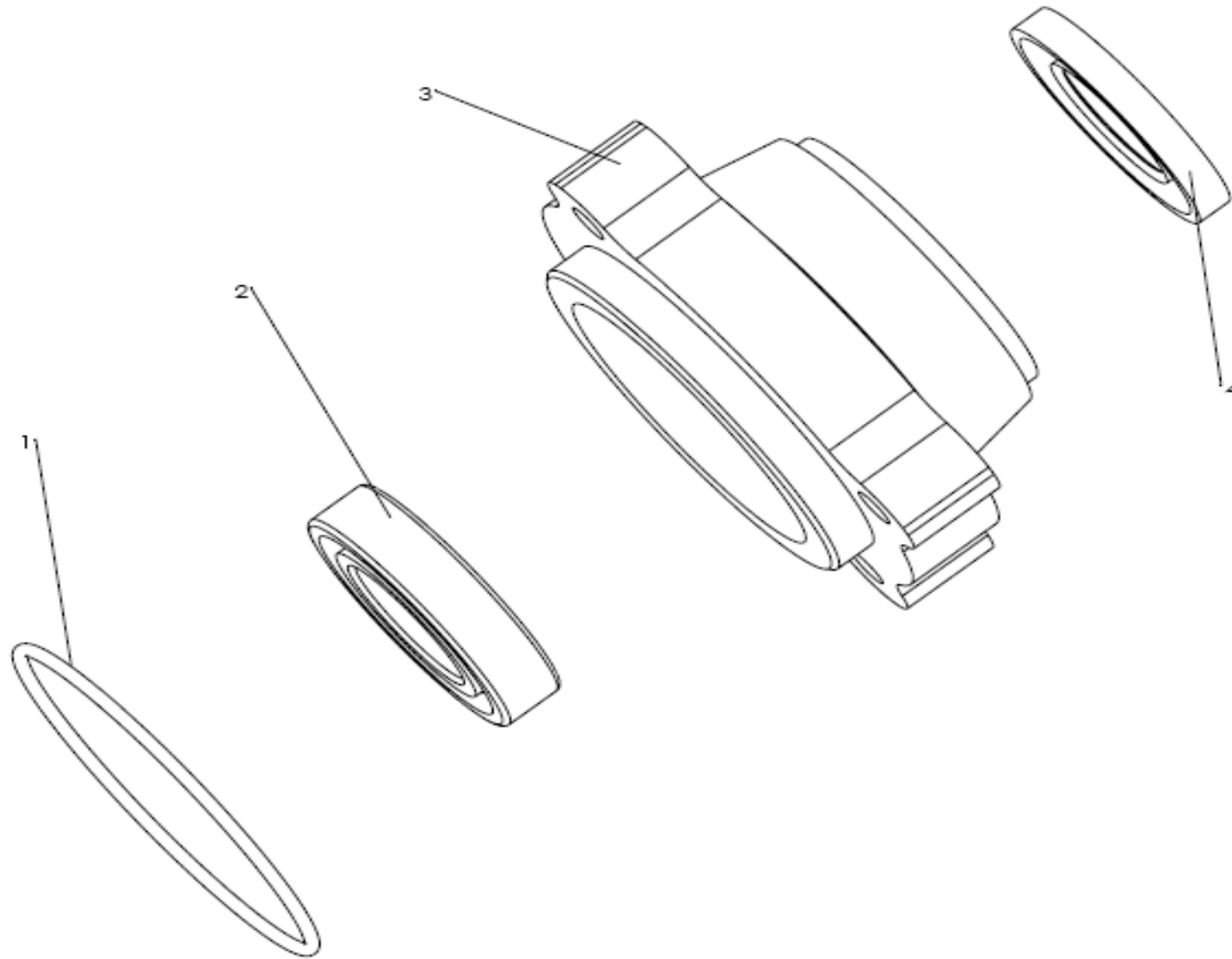
CODE	PART CODE	DESCRIPTION (EN)	DESCRIPTION (CN)	Q' TY	REMARKS
1	UV800-3023-S	DRIVEN GEAR	被动齿轮	1	
2	UV800-1207	SUPPORT, DIFFERENTIAL GEAR, R	右差速体	1	
3	UV800-1214	BUSH	衬套	1	
4	UV800-1212	ADJUST WASHER	调整垫圈	1	
5	UV800-1211	GEAR, SHAFT SET, R	右半轴齿轮	1	
6	GB/T894.1-86/Φ35	RETAINER Φ35	轴用挡圈 Φ35	2	
7	UV800-1203	LINK GEAR	结合齿轮	1	
8	UV800-1206	SUPPORT, DIFFERENTIAL GEAR, L	左差速体	1	
9	2000/M8*1*20	BOLT M8*1*20	固定螺栓M8*1*20	12	
10	UV800-1205	ADJUST WASHER	调整垫圈	1	
11	UV800-1204	GEAR, SHAFT SET, R	左半轴齿轮	1	
12	UV800-1208	PLANET GEAR SHAFT 1	行星齿轮轴1	1	
13	UV800-1209	PLANET GEAR SHAFT 2	行星齿轮轴2	1	
14	UV800-1210	PLANET GEAR	行星齿轮	4	
15	UV800-1216	SPHERE WASHER	球面垫圈	4	
16	UV800-1220	RETAINER WASHER	止动垫圈	6	
17					
18					
19					
20					
21					
22					
23					
24					

E20 UV800-3022-S-00 主动齿轮总成 DRIVE GEAR ASSEMBLY



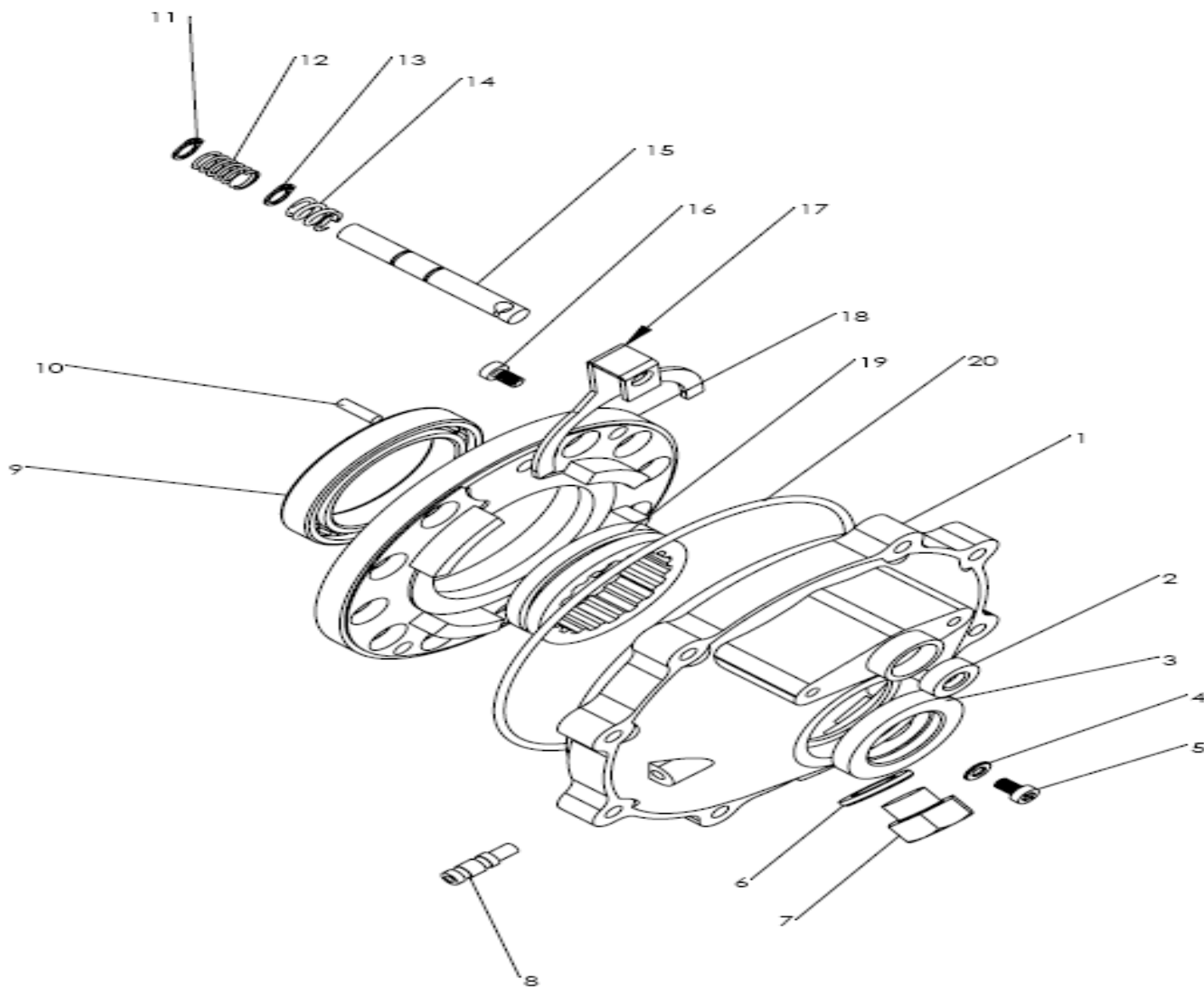
CODE	PART CODE	DESCRIPTION (EN)	DESCRIPTION (CN)	Q' TY	REMARKS
1	UV800-3022-S	DRIVE GEAR	主动齿轮	1	
2	GB/T276-94/6307	BEARING 6307	球轴承6307	1	
3	GB/T894.1-86/Φ35	RETAINER Φ35	轴用挡圈 Φ35	1	
4	GB/T894.1-86/Φ35	RETAINER Φ35	轴用挡圈 Φ35	1	
5					
6					
7					
8					
9					
10					
11					
12					
13					
14					
15					
16					
17					
18					
19					
20					
21					
22					
23					
24					

E21 UV800-1021-00 端盖总成 GEAR MOTOR ASSEMBLY



CODE	PART CODE	DESCRIPTION (EN)	DESCRIPTION (CN)	Q' TY	REMARKS
1	GB/T3452.1-92/77.5*2.65	O-RING 77.5*2.65	O型密封圈77.5*2.65	1	
2	GB/T276-94/6006	BEARING 6006	球轴承 6006	1	
3	UV800-1021	GEAR MOTOR	端盖	1	
4	GB/T9877.2-88/FB25-52-7F	OIL SEAL 25*52*7	油封FB25-52-7	1	
5					
6					
7					
8					
9					
10					
11					
12					
13					
14					
15					
16					
17					
18					
19					
20					
21					
22					
23					
24					

E22 UV800-1002-00侧盖总成 DIFFERENTIAL GEAR CASE



CODE	PART CODE	DESCRIPTION (EN)	DESCRIPTION (CN)	Q' TY	REMARKS
1	UV800-1002	FRONT DIFFERENTIAL GEAR CASE	箱盖	1	
2	GB/T13871-92/FB10-22-7F	OIL SEAL 10*22*7	油箱FB10-22-7	1	
3	GB/T13871-92/FB35-55-8F	OIL SEAL 35*55*8	油箱FB35-55-8	1	
4	GB/T848-1985/Φ6*1	WASHER	平垫圈Φ6*1	1	
5	GB/T70-1985/M6*10	BOLT M6*10	螺钉M6*10	1	
6	UV650-10005	WASHER	加油口垫圈	1	
7	UV650-10006	STOPPER	加油螺塞	1	
8	UV650-10013	EXHAUST VALVE	排气阀	1	
9	GB/T276-94/61912	BEARING 61912	球轴承61912	1	
10	GB/T829.1-92/Φ5*20	SHAFT Φ5*20	槽销Φ5*20	1	
11	GB/T894.1-86/Φ10	RETAINER Φ10	轴用挡圈Φ10	1	
12	UV800-1201-2	SPRING	弹簧	1	
13	GB/T894.1-86/Φ10	RETAINER Φ10	轴用挡圈Φ10	1	
14	UV800-1201-5	SPRING	弹簧	1	
15	ZLQ7-22	RETAINER GUIDE BAR	锁止拨叉轴	1	
16	GB/T70-1985/M6*16	BOLT M6*16	内六角螺钉M6*16	2	
17	UV800-1201-4	RETAINER SHIFT FORK	锁止拨叉	1	
18	UV800-1005A	INNER COVER	内盖	1	
19	UV800-1202	RETAINER	锁止环	1	
20	GB/T3452.1-92/Φ160*2.65	O-RING 160*2.65	O型密封圈Φ160*2.65	1	
21					
22					
23					
24					