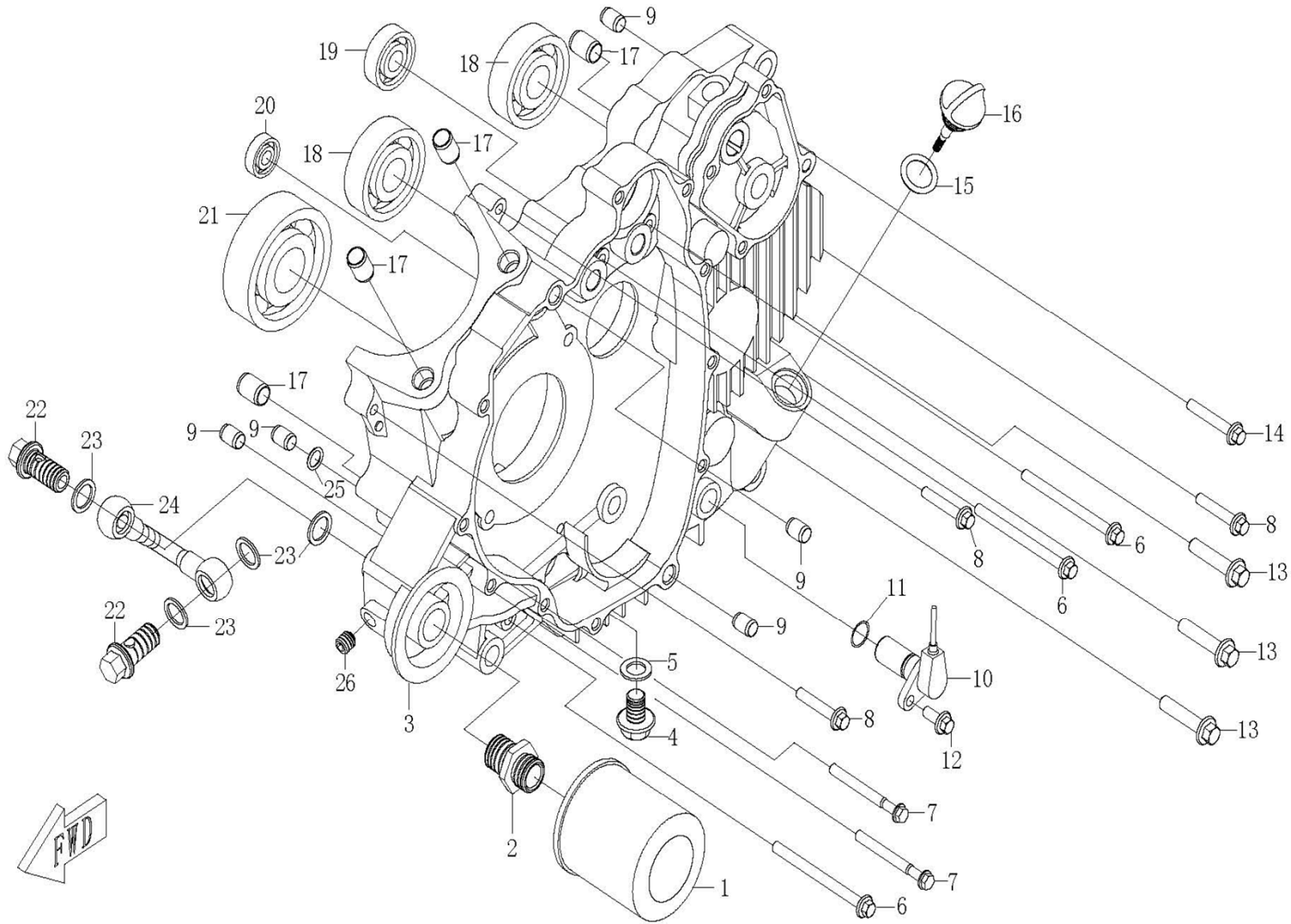
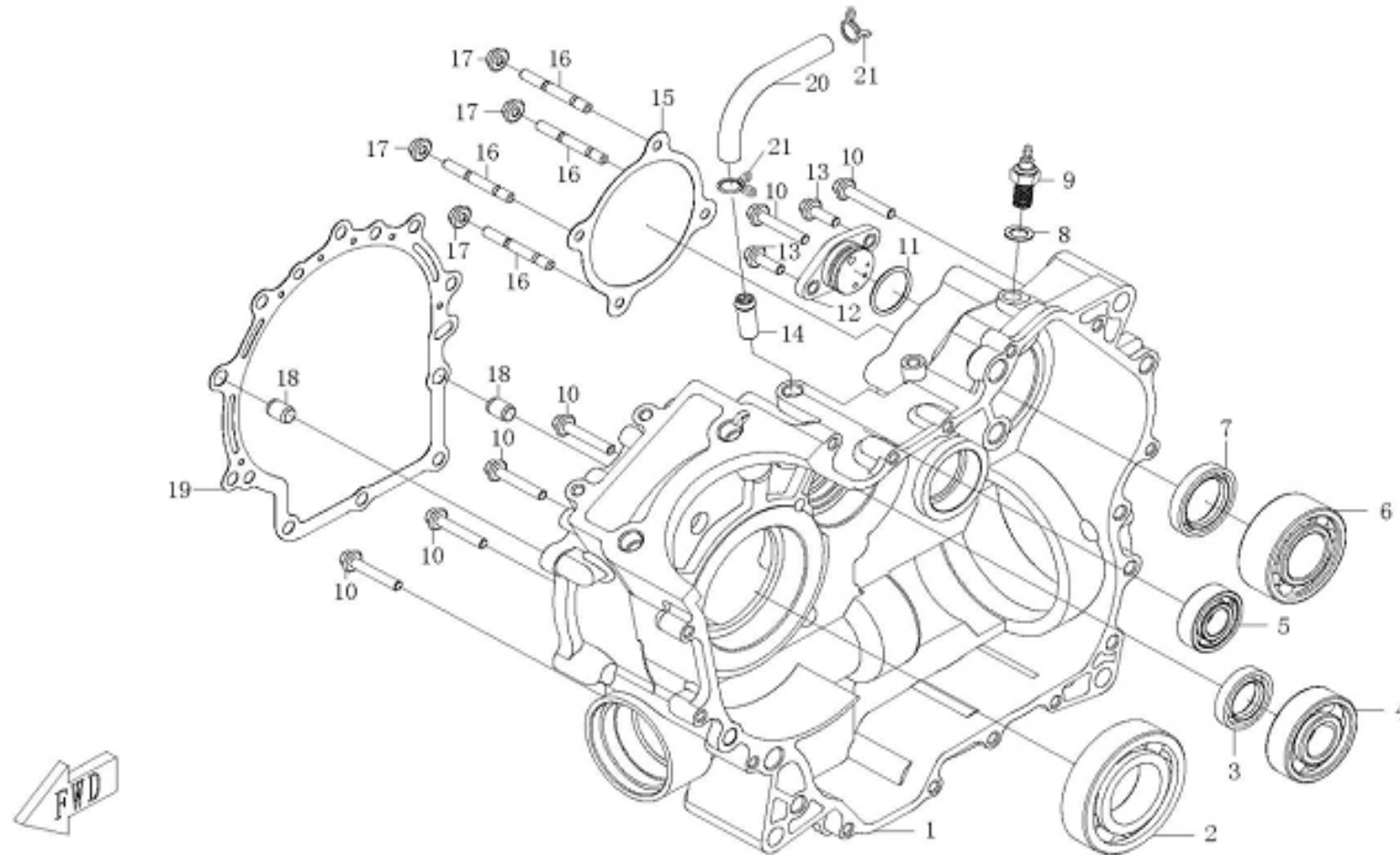


E1 KL500-011000左曲轴箱总成 LEFT CRANKCASE

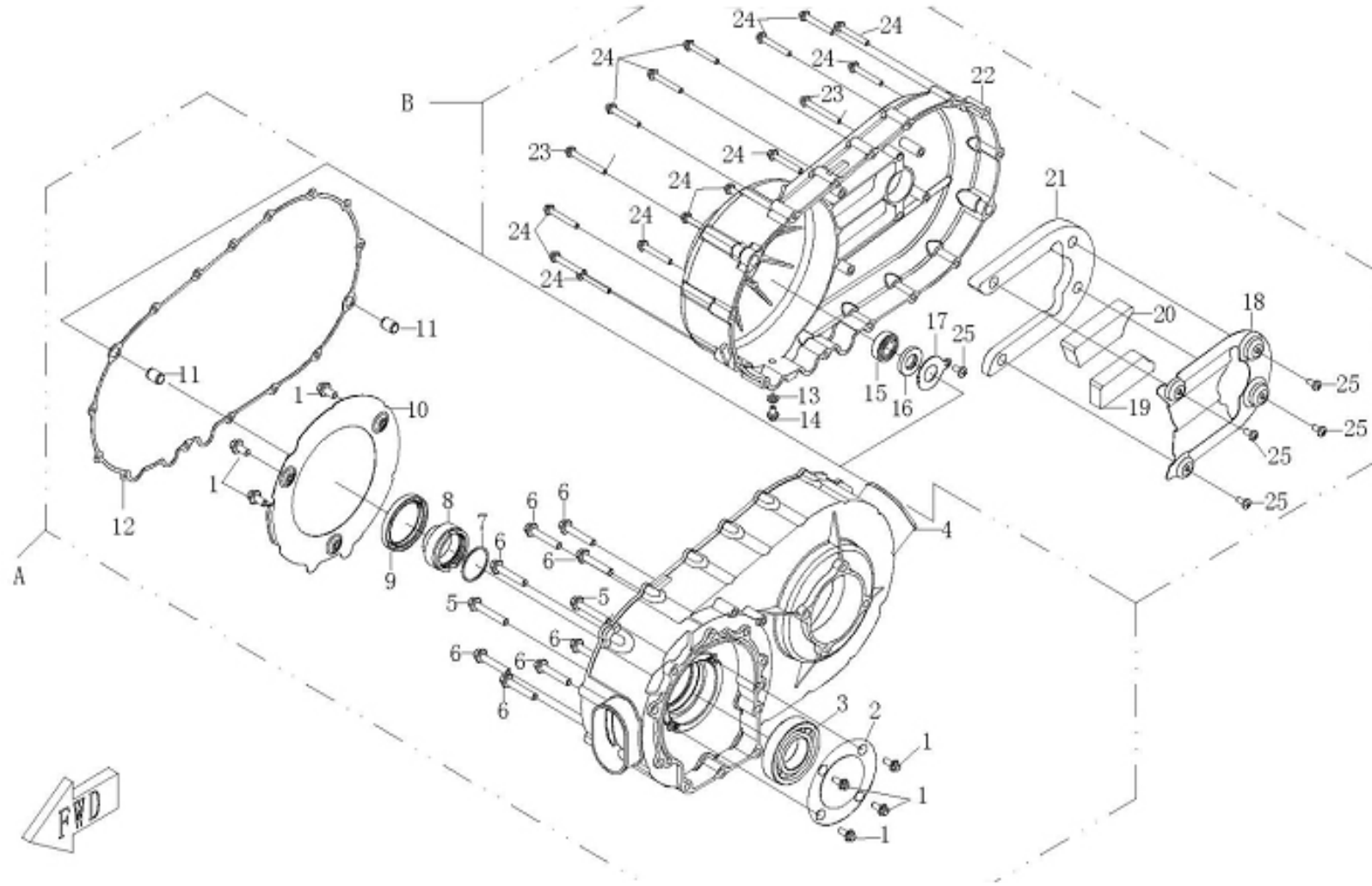


E1 KL500-011000左曲轴箱总成 LEFT CRANKCASE						
REF NO	PARTCODE	DESCRIPTION (EN)	DESCRIPTION (CN)	Q'TY	PRICE (\$)	REMARKS
1	KL500-011300	OIL FILTER	机油滤清器总成	1		
2	KL500-011004	BOLT, OIL FILTER	机油滤安装螺栓	1		
3	KL500-011100	LEFT CRANKCASE	左曲轴箱组件	1		
4	172MM-013005	DRAIN BOLT M12×1.25	放油螺栓 M12×1.5	1		
5	152MI-021014	WASHER 12	垫圈 12	1		
6	172MM-013031	BOLT M6×80	螺栓 M6×80	3		
7	152MI-011017	BOLT M6×60	螺栓 M6×60	2		
8	152MI-013008	BOLT M6×35	螺栓 M6×35	3		
9	152MI-021005	DOWEL PIN, φ 10×14	定位销 φ 10×14	5		
10	172MM-B-011300	SPEED SENSOR	里程传感器组合	1		
11	172MM-B-011303	O-RING 14×1.44	O形密封圈 14×1.44	1		
12	152MI-090005	BOLT M6×16	螺栓M6×16	1		
13	172MM-060010	BOLT M8×38	螺栓 M8×38	3		
14	152MI-013009	BOLT M6×40	螺栓 M6×40	1		
15	172MM-013030	O-RING 18×3.55	O形密封圈 18×3.55	1		
16	172MM-013001	OIL DIP ROD	机油标尺	1		
17	KL500-011005	DOWEL PIN, φ 13×18	定位销 φ 13×18	4		
18	GB/T276/6303	BEARING 6303(17×47×14)	滚动轴承	2		NTN:6303(17×47×14)
19	GB/T276/6202	BEARING 6202	滚动轴承	1		NTN:6202(15×35×11)
20	GB/T276/63/22	BEARING 63/22	滚动轴承	1		NTN:63/22(22×56×16)
21	GB/T276/6307	BEARING 6307	滚动轴承	1		NTN: 6307(35×80×21)
22	KL500-011007	HINGE BOLT M14×1.5	铰接螺栓M14×1.5	2		
23	KL500-011006	GASTET 14	垫片 14	4		
24	KL500-011400	EXTERNAL OIL PIPE SET	外机油管组件	1		
25	GB3452.1/10x1.8	O-RING	O形圈	1		
26	GB/T77/M10×10	SCREW	螺钉	1		

E2 KL500-012000右曲轴箱总成 RIGHT CRANKCASE

E2 KL500-012000右曲轴箱总成 RIGHT CRANKCASE						
REF NO	PARTCODE	DESCRIPTION (EN)	DESCRIPTION (CN)	Q'TY	PRICE (\$)	REMARKS
1	KL500-012100	RIGHT CRANKCASE	右曲轴箱组件	1		
2	GB/T276/6208	BEARING 6208	滚动轴承	1		NTN: 6208(40×80×18)
3	KL500-012004	OIL SEAL 22×38×7	油封22×38×7	1		
4	GB/T276/63/22	BEARING 63/22	滚动轴承	1		NTN: 63/22(22×56×16)
5	GB/T276/6203-RZ	BEARING 6203LU	滚动轴承	1		NTN: 6203LU(17×40×12)
6	GB/T296/3206A	BEARING 5206C3	滚动轴承	1		NTN: 5206C3(30×62×23.8)
7	KL500-012006	OIL SEAL 30×45×7	油封30×45×7	1		
8	152MI-060010	WASHER 10	垫圈10	1		
9	KL500-012300	REVERSE GEAR SENSOR	倒档传感器总成	1		
10	152MI-013008	BOLT M6×35	螺栓 M6×35	6		
11	KL500-012007	O-RING 26×2.5	O形密封圈 26x2.5	1		
12	KL500-012200	GEAR POSITION SENSOR	档位传感器组件	1		
13	152MI-023008	BOLT M6×18	螺栓 M6×18	2		
14	152MI-013006	JOINT, BREATHER HOSE	通气管接头	1		
15	KL500-012002	GASKET 2, CVT HOUSING	CVT箱体垫片 (2)	1		
16	GB/T900/AM6×40-8.8	BOLT	螺栓	4		
17	GB/T6177.1/M6	NUT	螺母	4		
18	152MI-021005	DOWEL PIN φ 10×14	定位销 φ 10×14	2		
19	KL500-012001	GASKET 1, CVT HOUSING	CVT箱体垫片 (1)	1		
20	152MI-013007	BREATHER HOSE	通气胶管	1		
21	QC/T621/A12	CLAMP A12	钢丝环箍	2		
22						
23						
24						
25						
26						

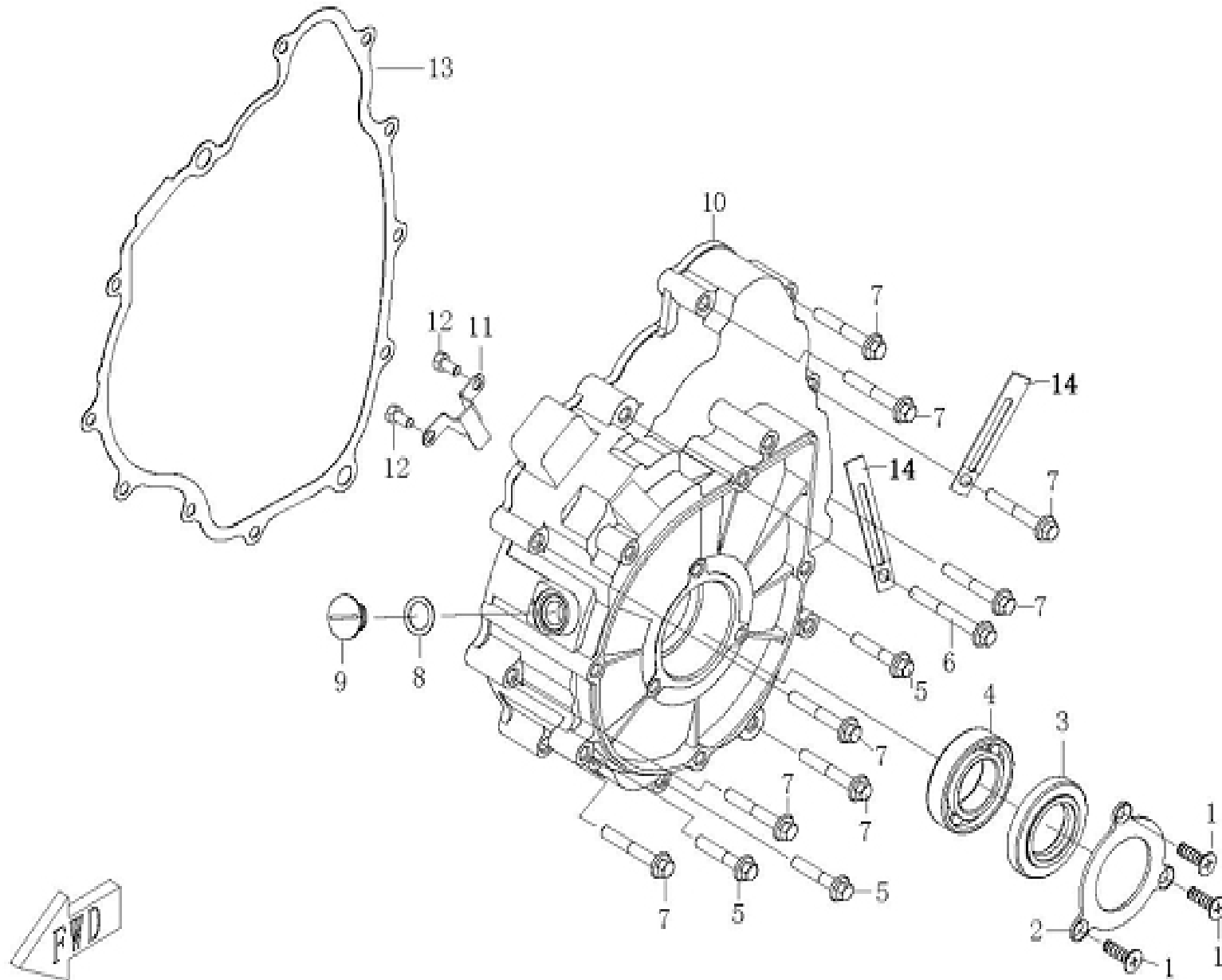
E3 KL500-013000CVT箱分总成 CVT HOUSING



E3 KL500-013000CVT箱分总成 CVT HOUSING

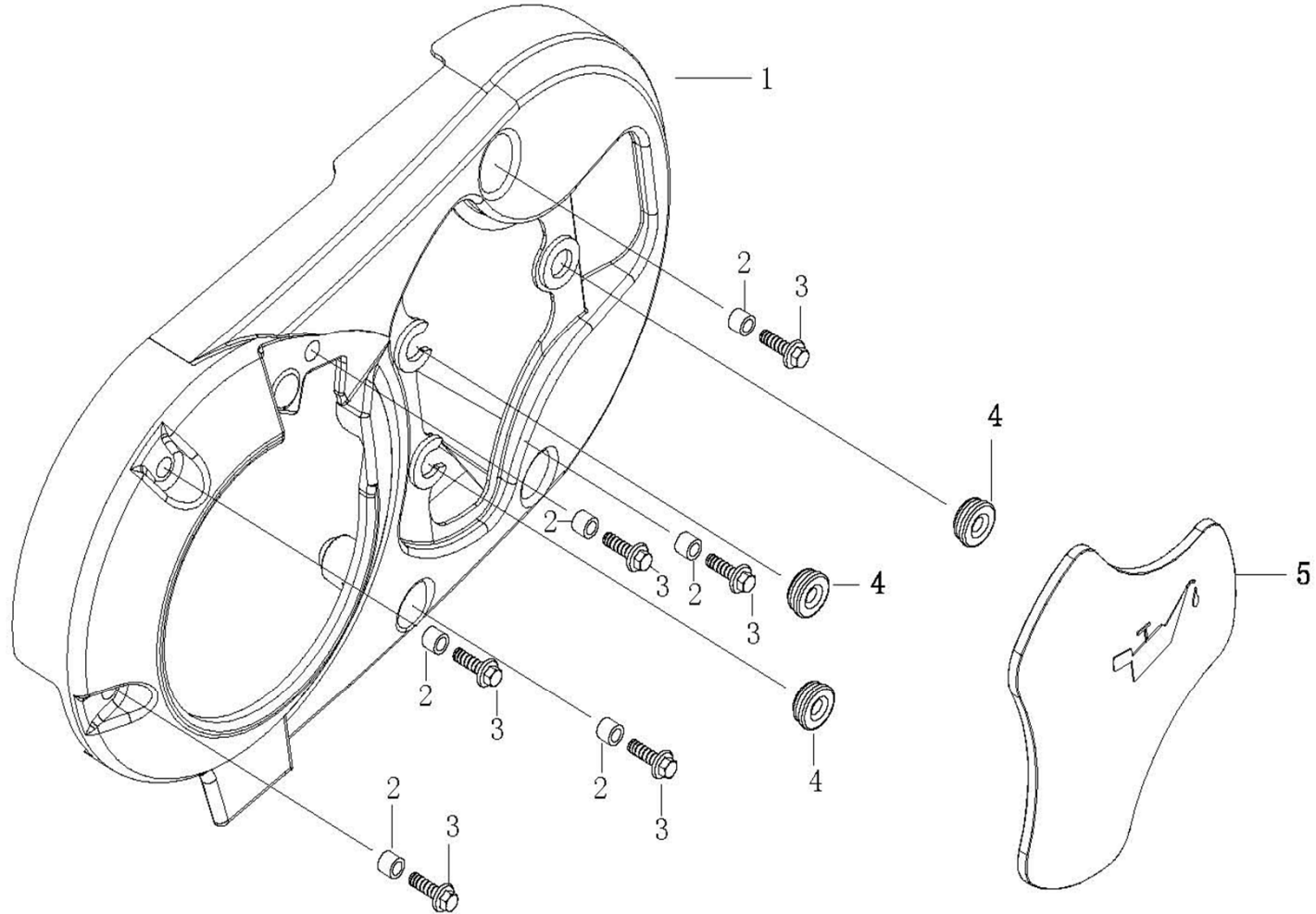
REF NO	PARTCODE	DESCRIPTION (EN)	DESCRIPTION (CN)	Q'TY	PRICE (\$)	REMARKS
A	KL500-013100	CVT HOUSING COMP.	CVT箱体分总成	1		
B	KL500-013200	CVT COVER COMP.	CVT箱盖分总成	1		
1	GB/T818/M6×12	SCREW	螺钉	10		
2	KL500-013104	BEARING RETAINER, CVT	CVT轴承挡片	2		
3	GB/T276/6208-RS	BEARING 6208	滚动轴承	1		KOYO:6208RUEF-1(40×80×18)
4	KL500-013101	CVT CASE	CVT箱体	1		
5	1P39MB-012006	BOLT M8×50	螺栓 M8×50	2		
6	1P39MB-012005	BOLT M8×45	螺栓 M8×45	8		
7	KL500-013107	O-RING 39×2.3	O形密封圈 39x2.3	1		
8	KL500-013106	SPACER, DRIVE SHAFT	主动轴间隔套	1		
9	KL500-013105	OIL SEAL 54×70×8	油封 54×70×8	1		
10	KL500-013102	PLATE, AIR INTAKE	CVT挡风板	1		
11	KL500-011005	DOWEL PIN φ 13×18	定位销 φ 13×18	2		
12	KL500-013103	RUBBER GASKET, CVT CASE	CVT箱体垫片	1		
13	152MI-060009	WASHER 6	垫圈 6	1		
14	152MI-080010	BOLT M6×10	螺栓 M6×10	1		
15	GB/T276/6003	BEARING 6003	滚动轴承	1		KOYO:6003(17×35×10)
16	KL500-013207	OIL SEAL 17×35×5	油封 17×35×5	1		
17	KL500-013206	LIMITATOR, OIL SEAL	油封限位板	1		
18	KL500-013205	DAMPER PLATE	减震板	1		
19	KL500-013204	RUBBER DAMPER(2)	减震橡胶块 (2)	1		
20	KL500-013203	RUBBER DAMPER(1)	减震橡胶块 (1)	1		
21	KL500-013202	RUBBER DAMPER(3)	减震橡胶块 (3)	1		
22	KL500-013201	CVT COVER	CVT箱盖	1		
23	152MI-021018	BOLT M6×55	螺栓 M6×55	2		
24	KL500-013208	BOLT M6×45	螺栓 M6×45	14		

E4 KL500-014000左箱分总成 CRANKCASE COVER (LEFT)



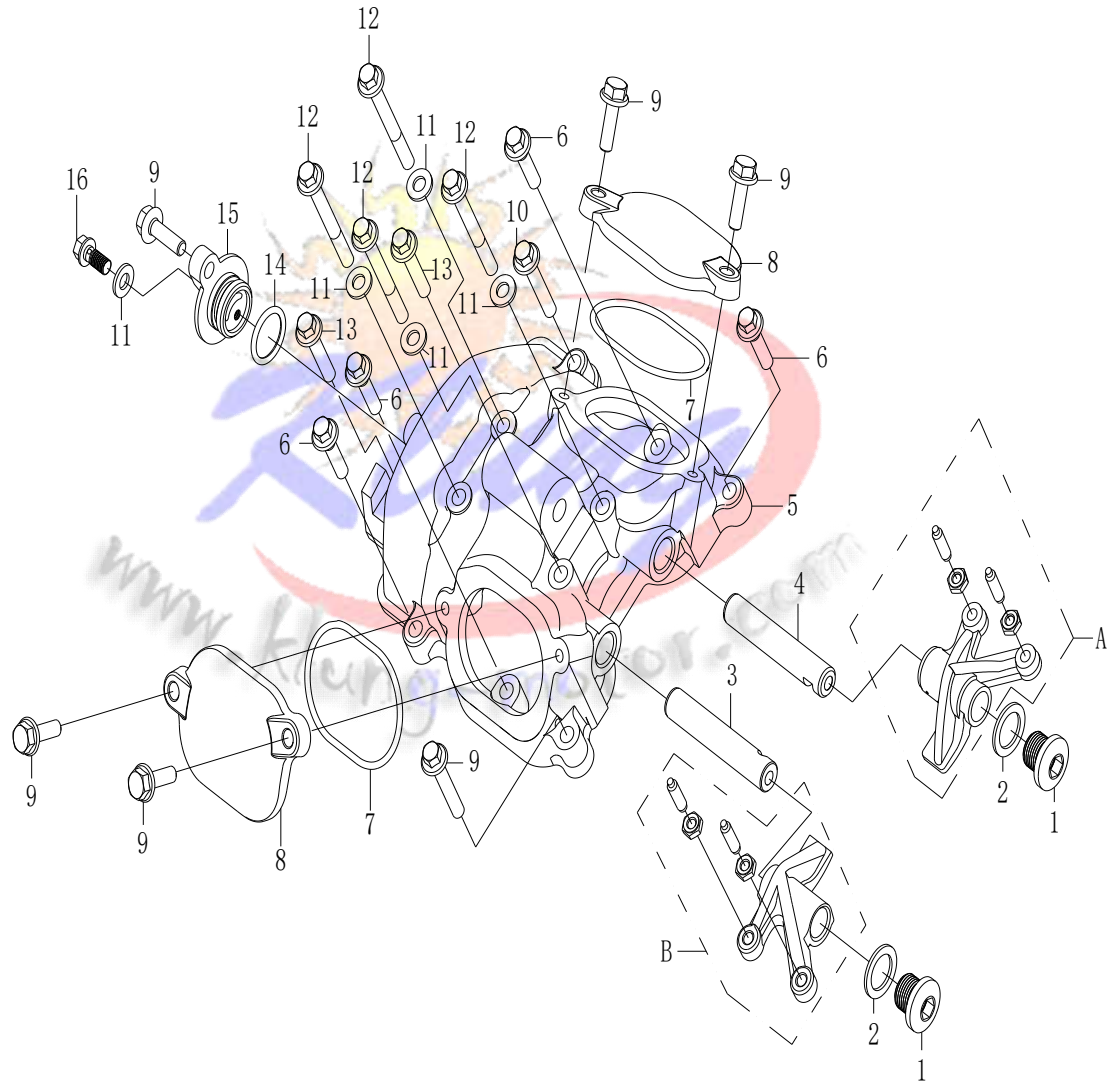
E4 KL500-014000左箱分总成 CRANKCASE COVER (LEFT)							
REF NO	PARTCODE	DESCRIPTION (EN)	DESCRIPTION (CN)	Q'TY	PRICE (\$)	REMARKS	
1	KL500-014009	HOLDER SCREW, OIL SEAL	油封压板螺钉	3			
2	KL500-014007	HOLDER,OIL SEAL	油封压板	1			
3	KL500-014008	OIL SEAL 28×52×7	油封28×52×7	1			
4	GB/T276-199460/28	BEARING60/28	滚动轴承60/28	1		NTN:60/28(28×52×12)	
5	152MI-080012	BOLT M6×32	螺栓 M6×32	3			
6	152MI-013010	BOLT M6×50	螺栓 M6×50	1			
7	152MI-013009	BOLT M6×40	螺栓 M6×40	8			
8	152MI-021009	SEAL RING, PLUG	上视孔盖密封圈	1			
9	152MI-021008	PLUG, INSPECTION	上视孔盖	1			
10	0180-014001-0080	COVER, LEFT CRANKCASE	左曲轴箱盖	1			
11	KL500-014003	LEAD HOLDER	导线压板	1			
12	KL500-014004	BOLT, LEAD HOLDER	导线压板螺栓	2			
13	KL500-014002	GASKET, LEFT CRANKCASE COVER	左曲轴箱盖垫片	1			
14							
15							
16							
17							
18							
19							
20							
21							
22							
23							
24							
25							

E5 KL500-015000左侧盖分总成 LEFT SIDE COVER ASSY



E5 KL500-015000左侧盖分总成 LEFT SIDE COVER ASSY							
REF NO	PARTCODE	DESCRIPTION (EN)	DESCRIPTION (CN)	Q'TY	PRICE (\$)	REMARKS	
1	KL500-015001	LEFT SIDE COVER	左侧盖	1			
2	KL500-015004	BUSH	衬套	6			
3	152MI-023010	BOLT M6×20	螺栓M6×20	6			
4	KL500-015003	RUBBER COLLAR	橡胶套	3			
5	KL500-015002	COVER PLATE	盖板	1			
6							
7							
8							
9							
10							
11							
12							
13							
14							
15							
16							
17							
18							
19							
20							
21							
22							
23							
24							
25							

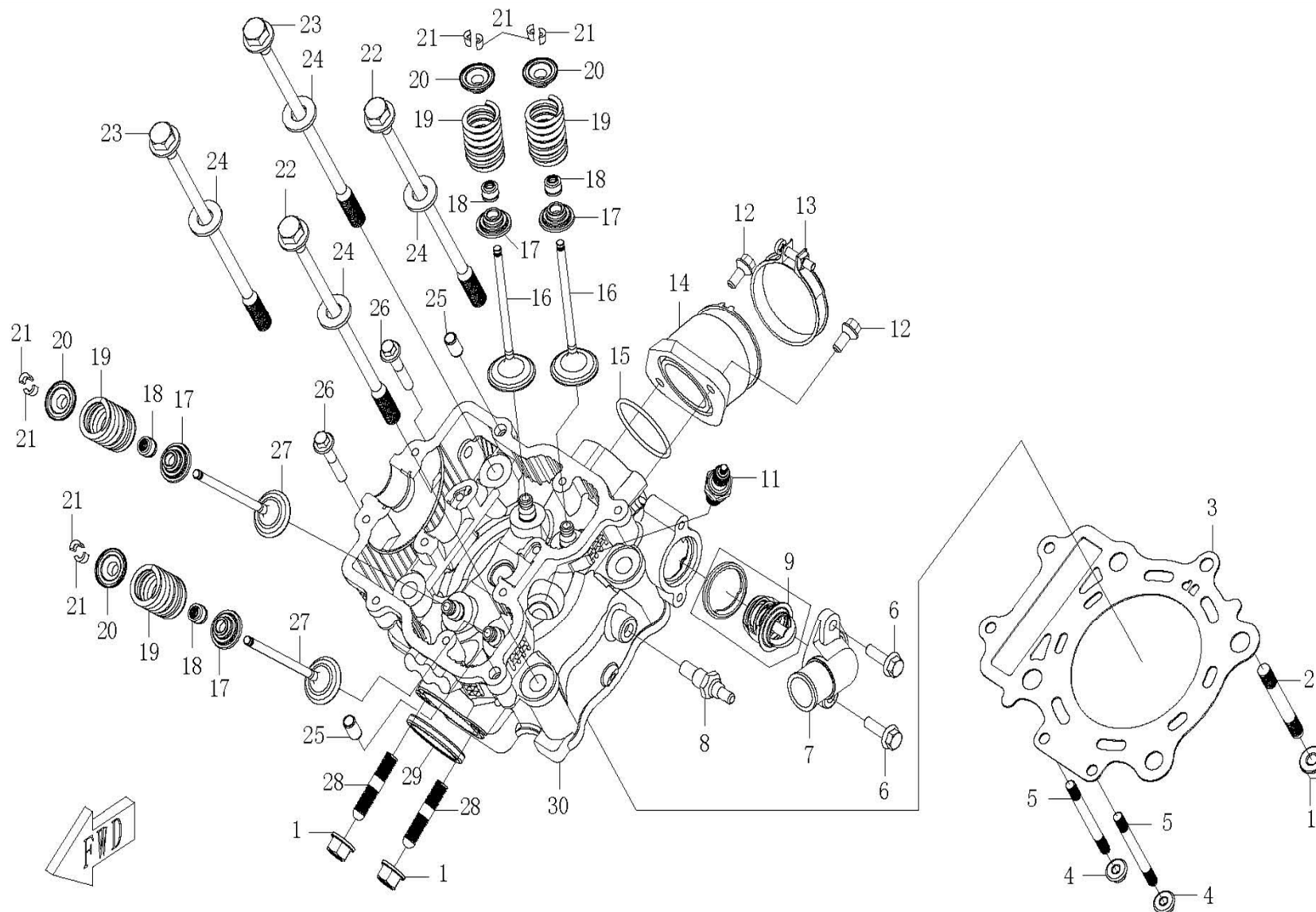
E6 KL500-021000 气缸罩分总成 CYLINDER HEAD COVER



E6 KL500-021000气缸罩分总成 CYLINDER HEAD COVER

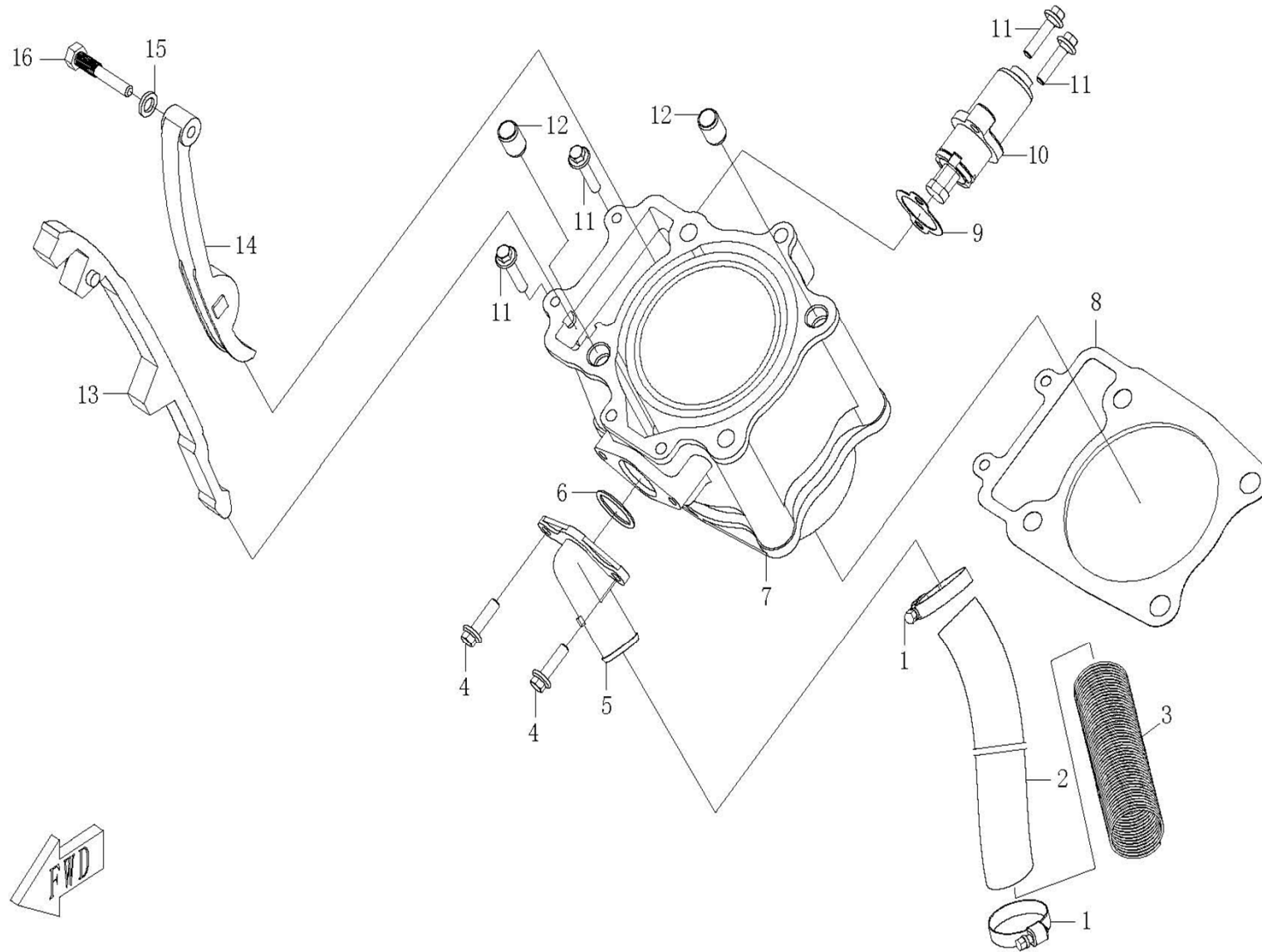
REF NO	PARTCODE	DESCRIPTION (EN)	DESCRIPTION (CN)	Q'TY	PRICE (\$)	REMARKS
A	KL500-021100	ROCKER ARM COMP, INTAKE	进气摇臂组件	1		
B	KL500-021200	ROCKER ARM COMP. EXHAUST	排气摇臂组件	1		
1	KL500-021008	BOLT M14×1.25×12	螺栓M14x1.25x12	2		
2	KL500-011006	WASHER 14	垫圈14	2		
3	KL500-021005	ROCKER ARM SHAFT, EXHAUST	排气摇臂轴	1		
4	KL500-021004	ROCKER ARM SHAFT, INTAKE	进气摇臂轴	1		
5	KL500-021001	COVER,CYLINDER HEAD	气缸盖罩	1		
6	152MI-021017	BOLT M6×25	螺栓M6×25	4		
7	KL500-021003	GASKET	密封圈	2		
8	KL500-021002	COVER, VALVE ADJUST	气门调节盖	2		
9	152MI-023010	BOLT M6×20	螺栓M6×20	5		
10	152MI-013008	BOLT M6×35	螺栓M6×35	2		
11	152MI-060009	WASHER 6	垫圈6	5		
12	152MI-021018	BOLT M6×55	螺栓M6×55	4		
13	152MI-060012	BOLT M6×30	螺栓M6×30	2		
14	KL500-021010	O-RING 18×2.4	O型密封圈18×2.4	1		
15	KL500-021009	SEAL COVER	密封盖	1		
16	152MI-021019	BOLT M6×12	螺栓M6×12	1		
22						
23						
24						

E7 KL500-022000 气缸盖分总成 CYLINDER HEAD



E7 KL500-022000气缸盖分总成 CYLINDER HEAD						
REF NO	PARTCODE	DESCRIPTION (EN)	DESCRIPTION (CN)	Q'TY	PRICE (\$)	REMARKS
1	152MI-011700	THRUST NUT M8	止退螺母M8	3		
2	KL500-022009	STUD M8×68	双头螺柱M8X68	1		
3	KL500-022200	GASKET, CYLINDER HEAD	气缸盖垫片组件	1		
4	GB/T6187.1/M6-10-Zn.D	NUT	螺母	2		
5	KL500-022001	STUD M6×70	双头螺柱M6X70	2		
6	152MI-022020	BOLT M6×22	螺栓M6x22	2		
7	KL500-022002	WATER OUTLET JOINT, CYLINDER HEAD	缸头出水管	1		
8	152MI-022600	WATER TEMPERATURE SENSOR	水温传感器	1		
9	KL500-022811	THERMOSTAT	恒温器	1		
10	152MI-022802	SEAL RING	密封圈	1		
11	172MM-022400	SPARK PLUG	火花塞组件	1		
12	KL500-022010	SCREW M6	螺钉M6	2		
13	KL500-022400	AIR INLET PIPE CLAMP	进气管卡箍组件	1		
14	KL500-022900	JOINT, CARBURETOR	化油器转接座组件	1		
15	KL500-022011	O-RING 40×2.4	O型密封圈40x2.4	1		
16	KL500-022004	VALVE, INTAKE	进气门	2		
17	KL500-022008	LOWER SEAT, VALVE SPRING	气门弹簧下座	4		
18	152MI-022500	SEAL RING SET, VALVE STEM	气门杆密封圈组件	4		
19	KL500-022006	VALVE SPRING	气门弹簧	4		
20	KL500-022007	UPPER SEAT, VALVE SPRING	气门弹簧上座	4		
21	152MI-022006	LOCK CLIP, VALVE	气门锁夹	8		
22	KL500-022012	CYLINDER BOLT(L)	气缸螺栓L	2		
23	KL500-022013	CYLINDER BOLT(R)	气缸螺栓R	2		
24	KL500-022014	WASHER, CYLINDER BOLT	气缸螺栓垫圈	4		
25	152MI-080008	DOWEL PIN φ8×14	定位销φ8×14	2		
26	152MI-013008	BOLT M6×35	螺栓M6x35	2		
27	KL500-022005	VALVE, EXHAUST	排气门	2		
28	KL500-022003	STUD M8×42	双头螺柱M8x42	2		
29	KL500-022300	GASKET, EXHAUST PIPE	排气管衬垫组件	1		
30	KL500-022100	CYLINDER HEAD ASSY	气缸盖组件	1		

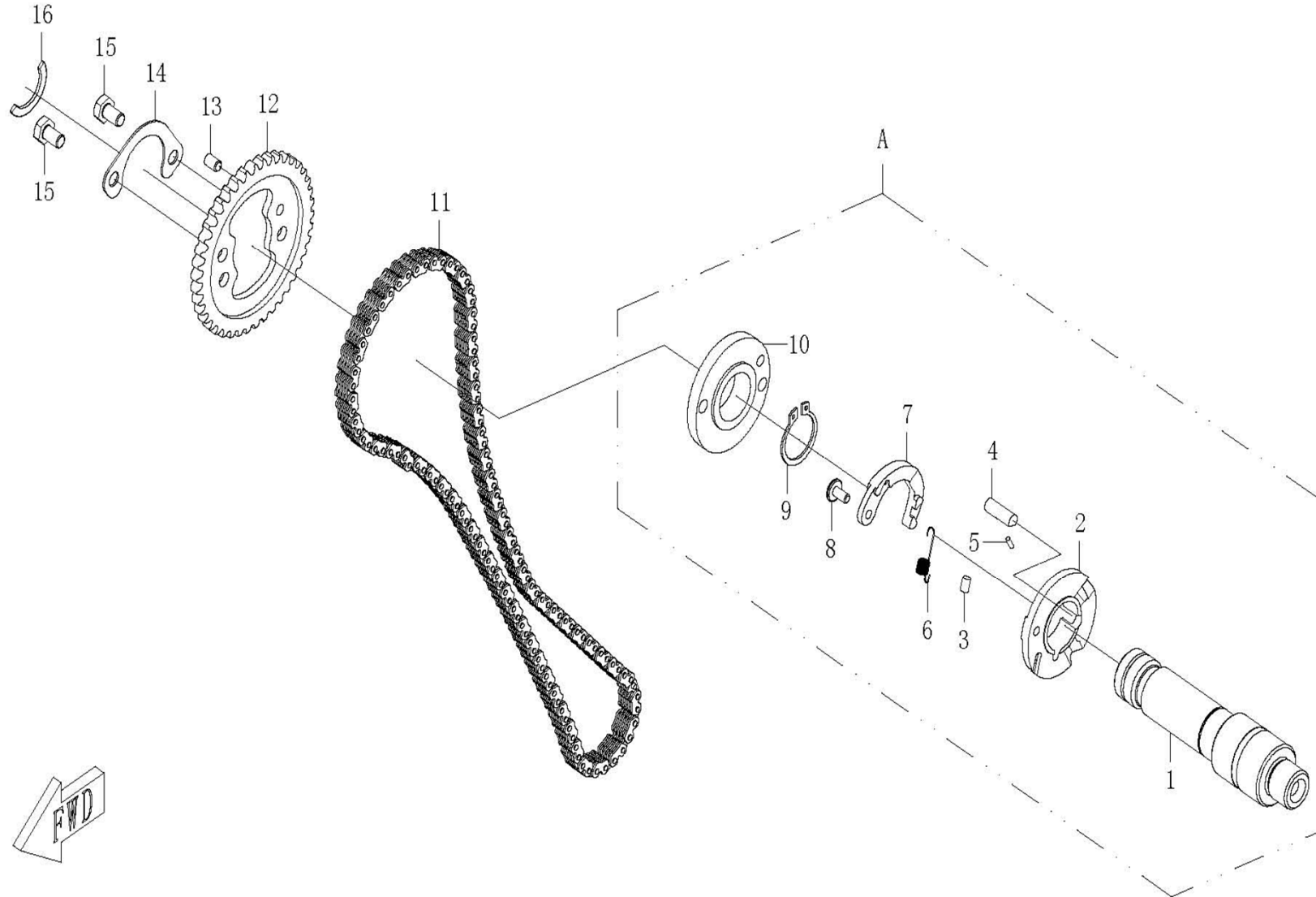
E8 KL500-023000气缸分总成 **CYLINDER BODY**



E8 KL500-023000气缸分总成 **CYLINDER BODY**

REF NO	PARTCODE	DESCRIPTION (EN)	DESCRIPTION (CN)	Q'TY	PRICE (\$)	REMARKS
1	KL500-023500	CLAMP, WATER HOSE	水管卡箍组件	2	0.5	HG-8 (19~32)
2	KL500-023002	WATER INLET HOSE	气缸进水胶管	1	1	
3	KL500-023005	SLEEVE, WATER HOSE	水管护套	1		
4	152MI-022020	BOLT M6×22	螺栓 M6×22	2		
5	KL500-023001	JOINT, WATER INLET	进水口	1		
6	KL500-012007	O-RING 24×2.5	O型密封圈 24x2.5	1		
7	KL500-023100	CYLINDER	气缸组件	1		
8	KL500-023004	GASKET, CYLINDER	气缸体垫片	1		
9	KL500-023003	GASKET, TENSIONER	张紧器密封垫片	1		
10	KL500-023200	TENSIONER	张紧器组件	1		
11	152MI-021017	BOLT M6×25	螺栓 M6×25	2		
12	KL500-011005	DOWEL PIN φ 13×18	定位销 φ 13×18	2		
13	KL500-023400	TIMING CHAIN GUIDE	链条导板组件	1		
14	KL500-023300	TENSIONER PLATE	张紧板组件	1		
15	152MI-021016	WASHER 8	垫圈 8	1		
16	KL500-023007	BOLT, TENSIONER PLATE	张紧板螺栓	1		
17						
18						
19						
20						
21						
22						
23						
24						
25						
26						

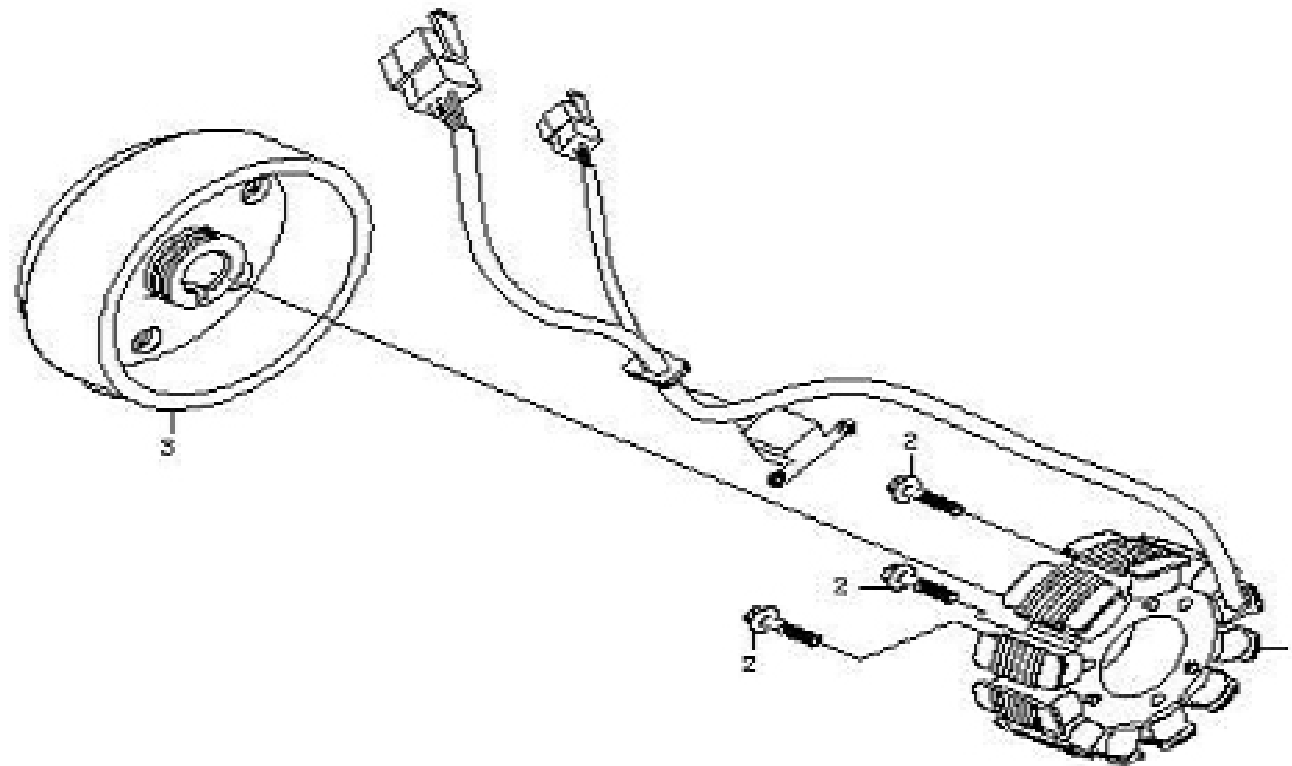
E9 KL500-024000凸轮轴分总成 CAMSHAFT ASSY.



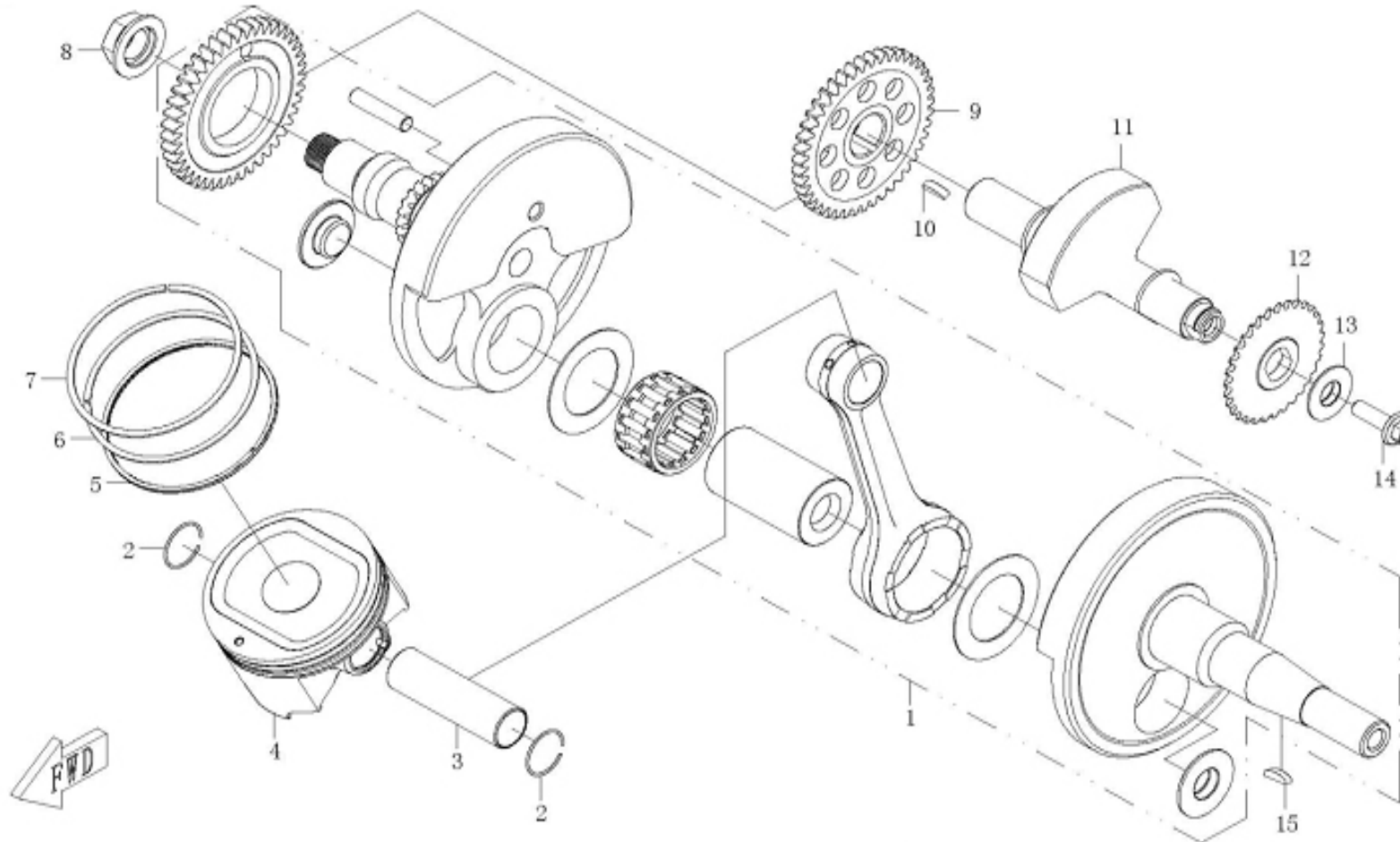
E9 KL500-024000凸轮轴分总成 CAMSHAFT ASSY.

REF NO	PARTCODE	DESCRIPTION (EN)	DESCRIPTION (CN)	Q'TY	PRICE (\$)	REMARKS
A	KL500-024100	CAMSHAFT ASSEMBLY	凸轮轴压装总成	1		
1	KL500-024101	CAMSHAFT	凸轮轴	1	不可拆分	不单独卖
2	KL500-024103	LIMIT CAM	限位盘	1	不单卖	不单独卖
3	KL500-024107	DOWEL PIN, DECOMPRESSOR	减压机构定位销	1	不可拆分	不单独卖
4	KL500-024106	DECOMPRESSOR CAM	减压凸轮	1	不可拆分	不单独卖
5	KL500-024105	DEFLECTOR ROD	拨杆	1	不可拆分	不单独卖
6	KL500-024108	DECOMPRESSOR SPRING	减压弹簧	1	不可拆分	不单独卖
7	KL500-024104	DECOMPRESSOR ROCKER ARM	减压摇臂	1	不可拆分	不单独卖
8	KL500-024109	DECOMPRESSOR ROCKER ARM WRIST	减压摇臂销轴	1	不可拆分	不单独卖
9	GB/T894.2/22	RETAINER	挡圈	1		不单独卖
10	KL500-024102	FLANGE, CAMSHAFT	凸轮轴法兰盘	1	不可拆分	不单独卖
11	KL500-024200	TIMING CHAIN	正时链条组件	1		
12	KL500-024001	TIMING SPROCKET	正时链轮	1		
13	KL500-024002	DOWEL PIN, TIMING SPROCKET	正时链轮定位销	1		
14	KL500-024003	RETAINER	止动挡片	1		
15	GB/T5783/M6X10-8.8	BOLT	螺栓	2		
16	KL500-024004	CAMSHAFT SPACER	凸轮轴定位片	1		
17						
18						
19						
20						
21						
22						
23						
24						
25						

E10 KL500-030000磁电机总成 MAGNETO STATOR ASSY.

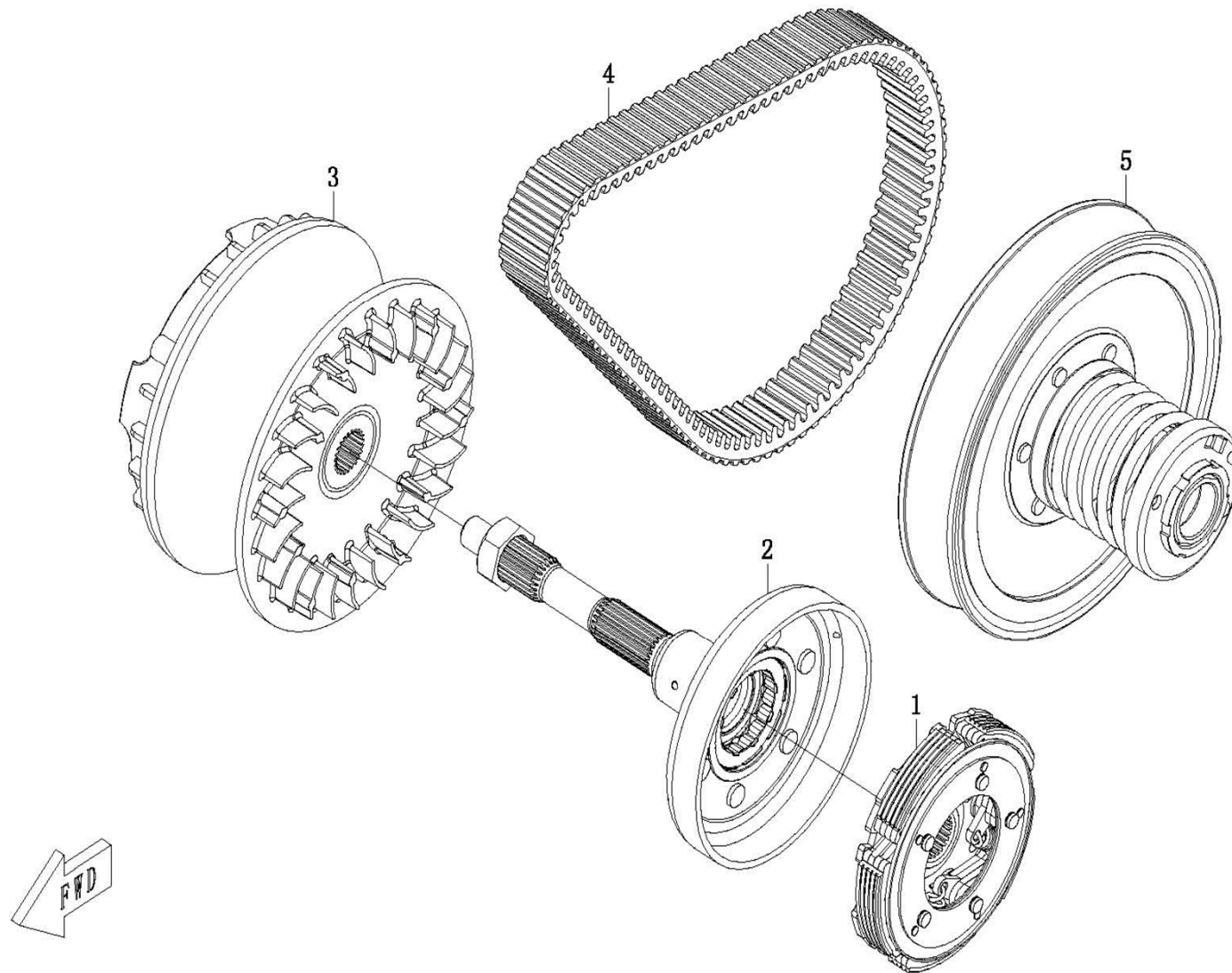


E10 KL500-030000磁电机总成 MAGNETO STATOR ASSY.						
REF NO	PARTCODE	DESCRIPTION (EN)	DESCRIPTION (CN)	Q'TY	PRICE (\$)	REMARKS
1	KL500-032000	MAGNETO STATOR	磁电机定子组合	1		
2	152MI-060012	BOLT M6×30	螺栓 M6X30	3		
3	KL500-031000	MAGNETO ROTOR	磁电机转子组合	1		
4						
5						
6						
7						
8						
9						
10						
11						
12						
13						
14						
15						
16						
17						
18						
19						
20						
21						
22						
23						
24						
25						

E11 曲柄连杆活塞总成和平衡机构总成 CRANKSHAFT, PISTON, BALANCER

E11 曲柄连杆活塞总成和平衡机构总成 CRANKSHAFT, PISTON, BALANCER

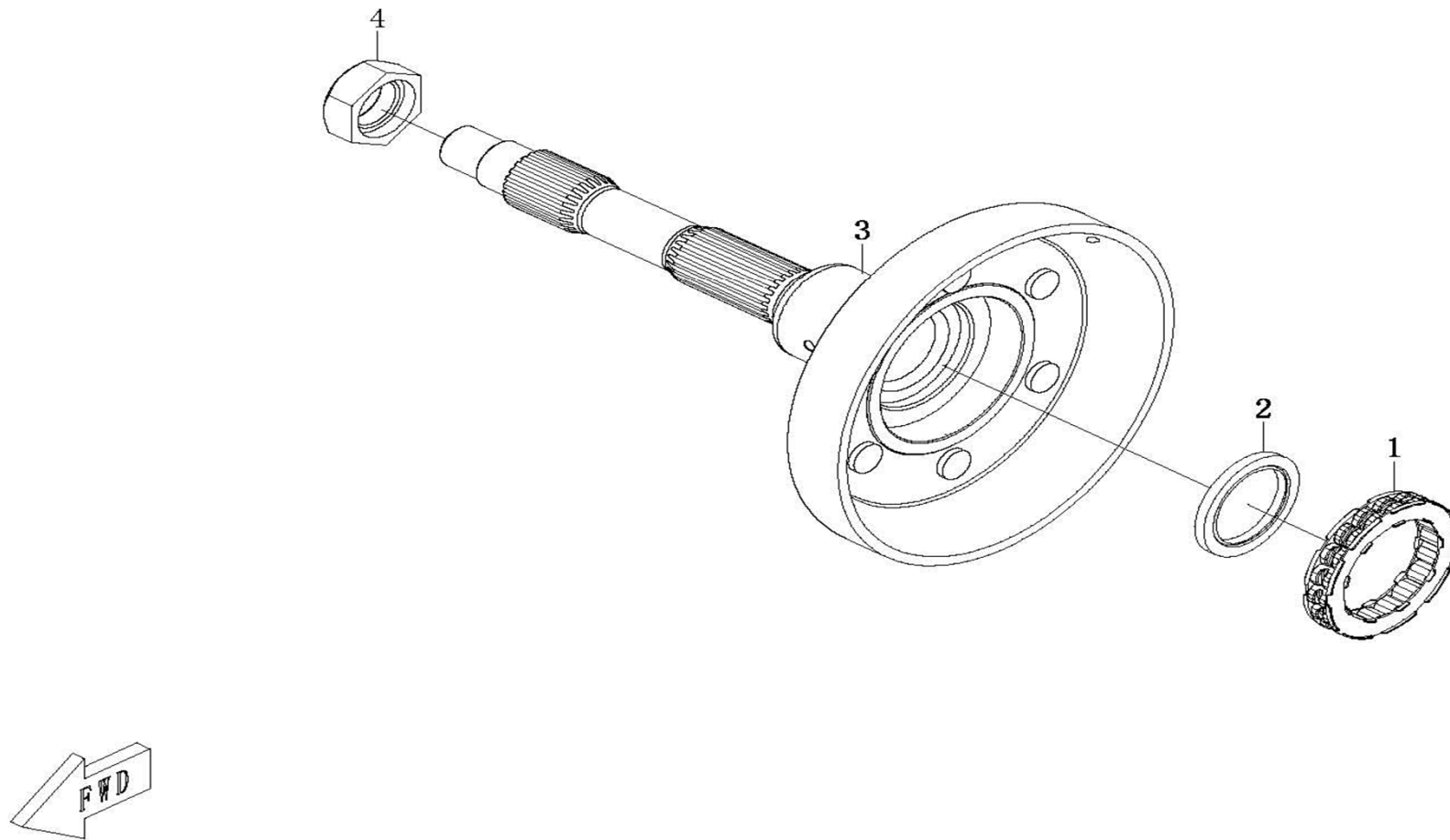
REF NO	PARTCODE	DESCRIPTION (EN)	DESCRIPTION (CN)	Q'TY	PRICE (\$)	REMARKS
1	KL500-041000	CRANKSHAFT	曲柄连杆分总成	1		
2	KL500-040003	CLIP, PISTON PIN	活塞销挡圈	2		
3	KL500-040002	PISTON PIN	活塞销	1		
4	KL500-040004	PISTON	活塞	1		
5	KL500-042000	OIL RING	组合油环	1		包含活塞环 (一) 和 (二)
6	KL500-040005	2ND RING	活塞环 (二)	1		组合油环包含
7	KL500-040006	TOP RING	活塞环 (一)	1		组合油环包含
8	KL500-023018	NUT M18×1.5 (L)	螺母M18x1.5左	1		
9	KL500-160002	GEAR, BALANCER SHAFT	平衡轴齿轮	1		
10	KL500-160003	WOODRUFF KEY	半圆键	1		
11	KL500-160001	BALANCER SHAFT	平衡轴	1		
12	KL500-160004	SPROCKET, BALANCE SHAFT	平衡轴链轮	1		
13	KL500-160006	WASHER 10.2×28×2	垫片10.2x28x2	1		
14	GB5783/M10X25	BOLT M10×25	螺栓 M10X25	1		
15	152MI-040006	WOODRUFF KEY	半圆键	1		
16						
17						
18						
19						
20						
21						
22						
23						
24						
25						
26						



E12 KL500-050000离合器,CVT总成 CLUTCH , CVT

REF.NO	PARTCODE	DESCRIPTION (EN)	DESCRIPTION (CN)	Q'TY	PRICE (\$)	REMARKS
1	KL500-023025	CLUTCH	牵转具总成 (不带下坡制动)	1		
1	KL500-054000	CLUTCH	牵转具总成 (带下坡制动)	1		
2	KL500-053000	CLUTCH HOUSING	离合器外壳组合	1		
3	KL500-051000	PRIMARY SHEAVE	主动轮组合	1		
4	KL500-055000	BELT	齿形传动带	1		
5	KL500-052000	SECONDARY SHEAVE	从动轮组合	1		
6						
7						
8						
9						
10						
11						
12						
13						
14						
15						
16						
17						
18						
19						
20						
21						
22						
23						
24						
25						
26						

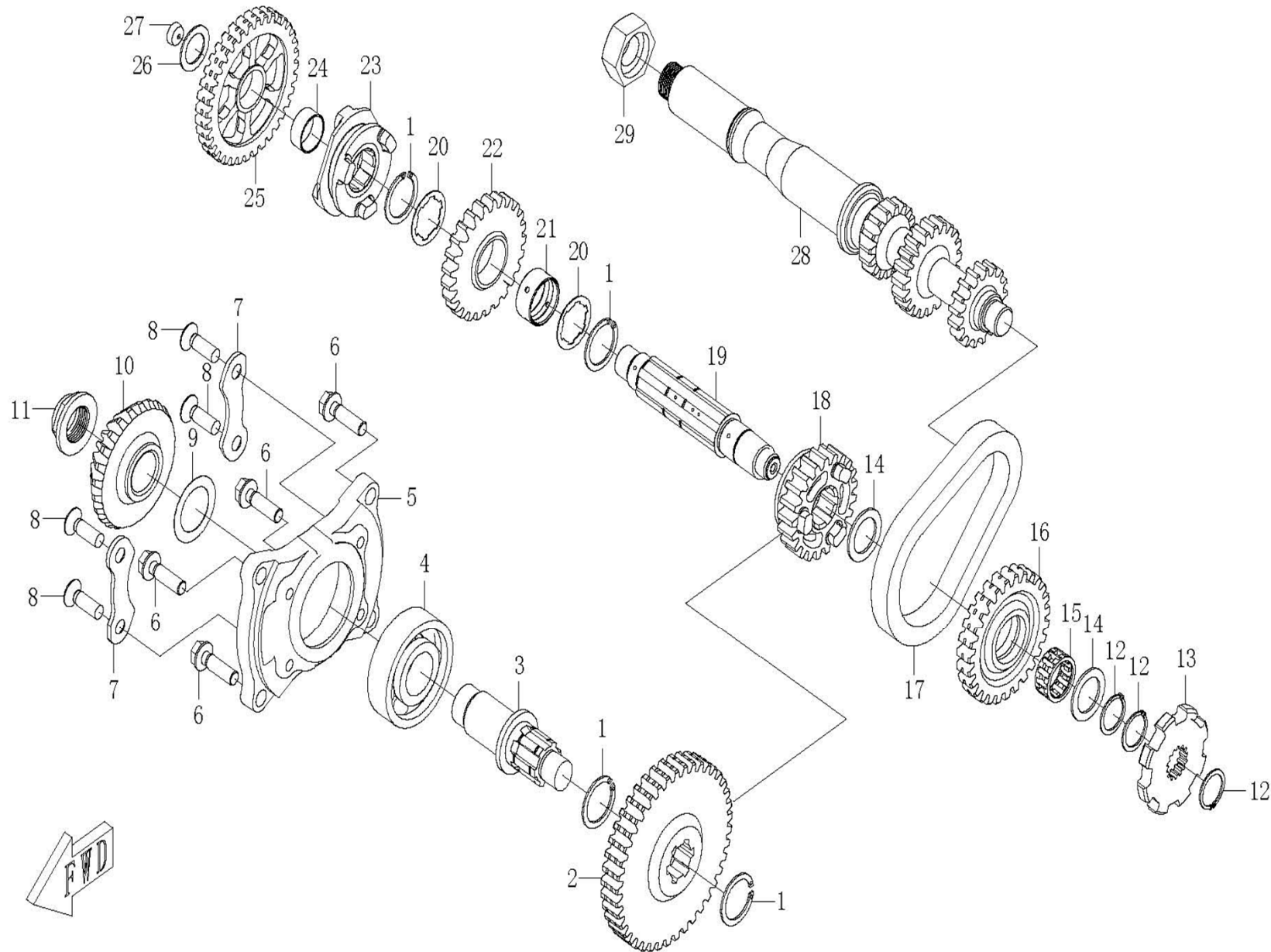
E13 KL500-053000 离合器外壳组件 CLUTCH HOUSING



E13 KL500-053000离合器外壳组件 CLUTCH HOUSING

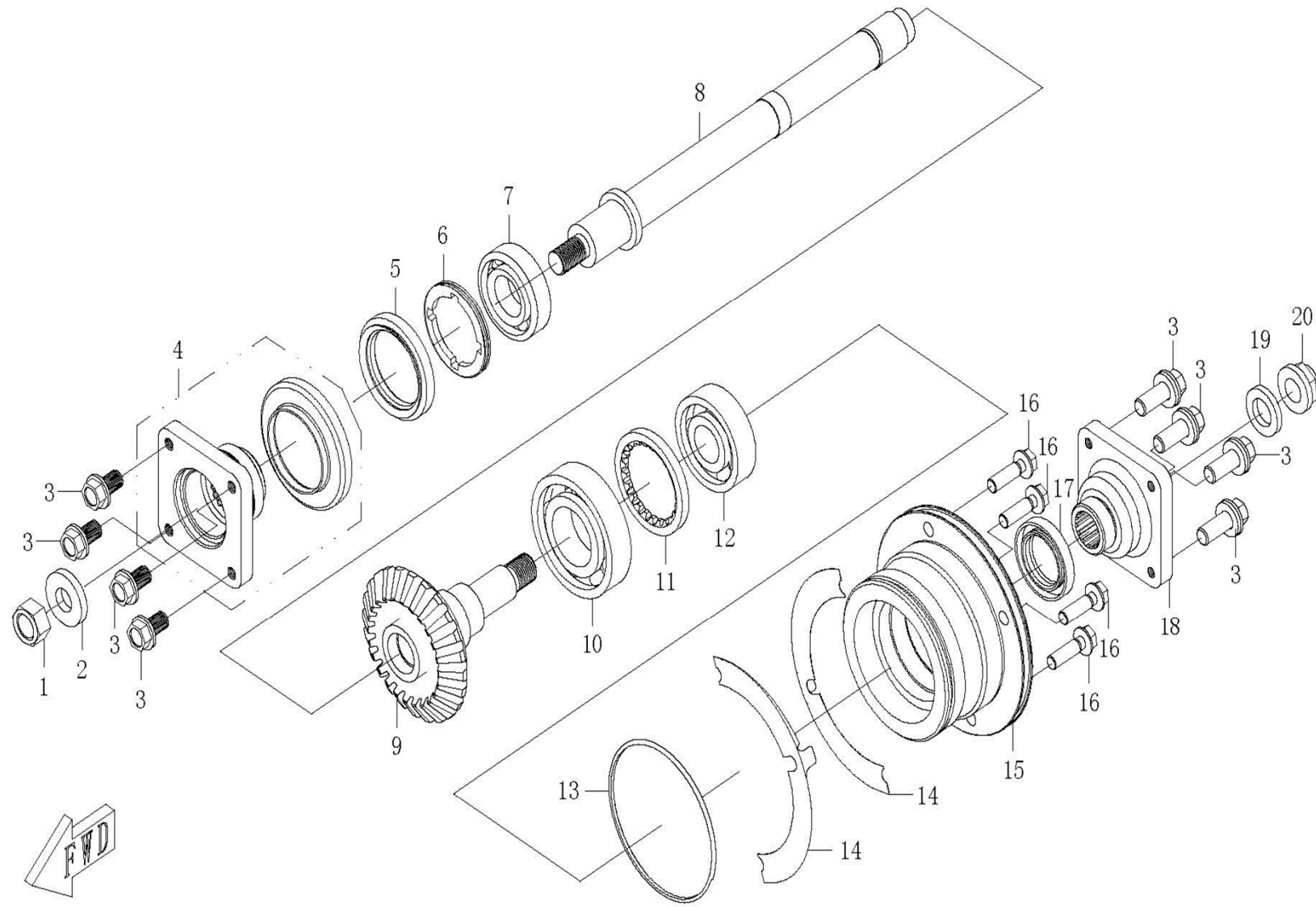
REF NO	PARTCODE	DESCRIPTION (EN)	DESCRIPTION (CN)	Q'TY	PRICE (\$)	REMARKS
1	KL500-053200	OVERRIDING CLUTCH COMP., DRIVE SHAFT	主动轴超越离合器组合	1		
2	0180-053005	OIL SEAL 46×37.5×5.5, END FACE	端面密封油封 46×37.5×5.5	1		
3	KL500-053100	CLUTCH HOUSING	离合器外壳组件	1		
4	KL500-060003	MAIN DRIVE SHAFT NUT	主传动轴螺母	1		
5						
6						
7						
8						
9						
10						
11						
12						
13						
14						
15						
16						
17						
18						
19						
20						
21						
22						
23						
24						
25						
26						

E14 KL500-060000换档变速总成(一) TRANSMISSION I



E14 KL500-060000换档变速总成(一) TRANSMISSION I						
REF NO	PARTCODE	DESCRIPTION (EN)	DESCRIPTION (CN)	Q'TY	PRICE (\$)	REMARKS
1	KL500-061007	RETAINER 25	弹性挡圈 25	4		
2	KL500-062102	OUTPUT DRIVEN GEAR	输出从动齿轮	1		
3	KL500-062101	DRIVE BEVEL GEAR SHAFT	主动锥齿轮轴	1		
4	GB/T276/6305	BEARING	滚动轴承	1		
5	KL500-062103	BEARING SEAT,DRIVE BEVEL GEAR	主动锥齿轮轴承座	1		
6	172MM-060011	BOLT M8×28	螺栓 M8×28	4		
7	KL500-062104	BEARING LIMIT	轴承限位片 (主动)	2		
8	GB/T2673/M8x25	SCREW	螺钉	4		
9	KL500-062105	ADJUST WASHER, DRIVE BEVEL GEAR	主动锥齿轮调整垫片			厚度0.15, 0.20, 0.25, 0.30, 0.35
10	KL500-062106	DRIVE BEVEL GEAR	主动锥齿轮	1		
11	KL500-062107	LOCKNUT, BEVEL GEAR	锥齿轮锁定螺母			
12	GB/T894.1/20	RETAINER	挡圈	1		
14	KL500-061012	WASHER 20.5×30×1.5	垫片 20.5x30x1.5	2		
15	NTN-K20X26X12 (ISO)	NEEDLE BEARING	滚针轴承 NTN-K20X26X12 (ISO)	1		
16	KL500-061013	SPROCKET, REVERSE GEAR	倒车链轮	1		
17	KL500-069000	CHAIN, REVERSE GEAR	倒档链条	1		
18	KL500-061011	DRIVEN OUTPUT GEAR	从动轴输出齿轮	1		
19	KL500-061001	DRIVEN SHAFT	从动轴	1		
20	KL500-061008	SPLINE WASHER	花键形垫片	2		
21	KL500-061009	BUSHING, DRIVEN HIGH RANGE GEAR	从动高档齿轮衬套	1		
22	KL500-061010	DRIVEN GEAR, HIGH RANGE	从动高档齿轮	1		
23	KL500-061006	SLIDING BUSH, GEARSHIFT	换档滑动套	1		
24	KL500-061004	BUSHING, DRIVEN LOW RANGE GEAR	从动低档齿轮衬套	1		
25	KL500-061005	DRIVEN GEAR, LOW RANGE	从动低档齿轮	1		
26	KL500-061003	WASHER 17.5×26×1	垫片 17.5x26x1	1		
27	KL500-061002	BELL PLUG 12	碗形塞12	1		
28	KL500-060004	MAIN SHAFT. GEARSHIFT	变挡主轴	1		
29	KL500-060003	NUT, MAIN TRANSMISSION SHAFT	主传动轴螺母	1		

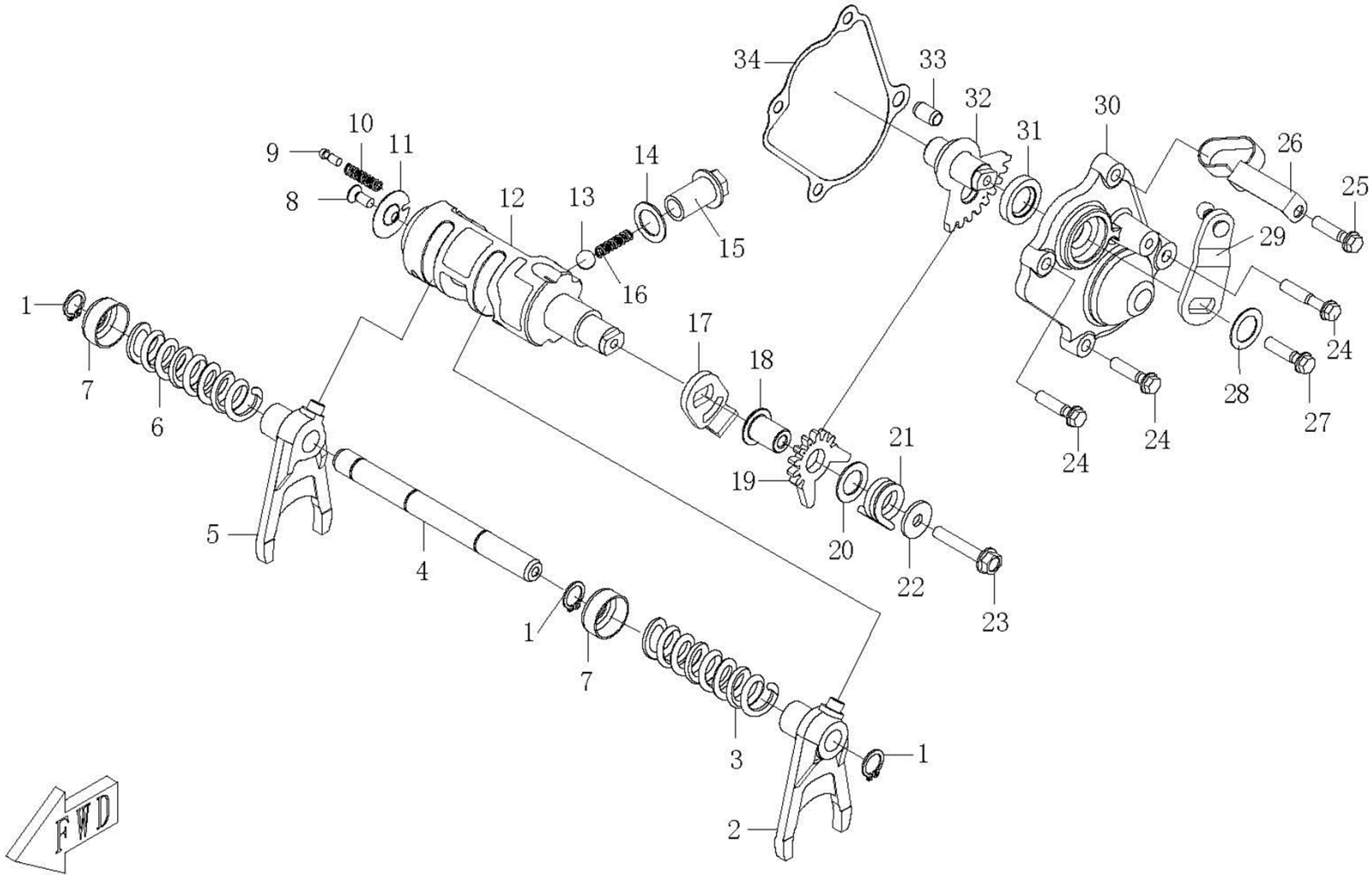
E15 KL500-060000换档变速总成(二)TRANSMISSION II



E15 KL500-060000换档变速总成(二)TRANSMISSION II

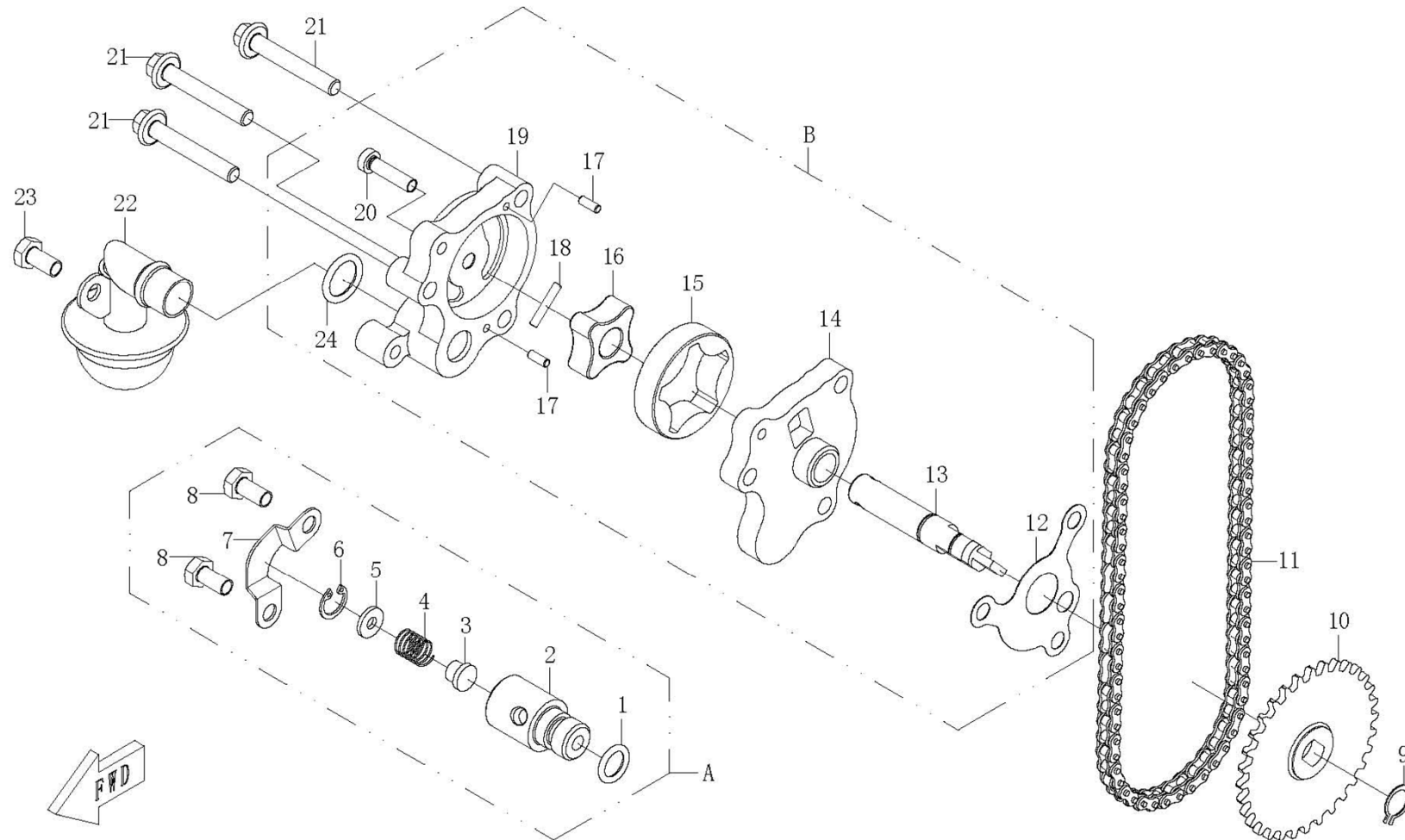
REF NO	PARTCODE	DESCRIPTION (EN)	DESCRIPTION (CN)	Q'TY	PRICE (\$)	REMARKS
1	GB/T6185.2/M14x1.5-10	NUT	螺母	1		
2	KL500-023027	WASHER,FRONT TRANSMISSION OUTPUT SHAFT NUT	前输出轴螺母垫片	1		
3	KL500-170100	BOLT M8×1×22	螺栓M8x1×22	8		
4	KL500-060100	COUPLER, FRONT TRANSMISSION OUTPUT	前输出连接盘组件	1		
5	KL500-060007	OIL SEAL 44×60×6.7	油封44X60X6.7	1		
6	KL500-060008	BEARING RETAINER, FRONT OUTPUT SHAFT	前输出轴轴承挡圈	1		
7	GB/T276/6205	BEARING	滚动轴承	1		KOYO: 6205 (25x52x15)
8	KL500-062301	FRONT OUTPUT SHAFT	前输出轴	1		
9	KL500-062206	DRIVEN BEVEL GEAR	从动锥齿轮	1		
10	GB/T276/6207c3	BEARING	滚动轴承	1		
11	KL500-062204	BEARING LIMIT NUT	轴承限位螺母 (从动)	1		
12	GB/T276/63/22	BEARING	滚动轴承	1		KOYO:63/22 (22x56x16)
13	KL500-062205	O-RING 88×2.4	O形密封圈 88x2.4	1		
14	KL500-062202	ADJUST WASHER, DRIVEN BEVEL GEAR	从动锥齿轮调整垫片			厚度0.15, 0.20, 0.25, 0.30, 0.35,0.40
15	KL500-062201	BEARING SEAT, DRIVEN BEVEL GEAR	从动锥齿轮轴承座	1		
16	172MM-060011	BOLT M8×28	螺栓 M8×28	4		
17	KL500-062203	OIL SEAL B6 SD 30 46 7	油封B6 SD 30 46 7	1		
18	KL500-060006	COUPLER, REAR TRANSMISSION OUTPUT	后输出连接盘	1		
19	KL500-060001	WASHER, REAR OUTPUT SHAFT NUT	后输出轴螺母垫片	1		
20	KL500-023026	NUT, REAR OUTPUT SHAFT	后输出轴螺母	1		
21						
22						
23						
24						
25						
26						

E16 KL500-060000换档变速总成(三) TRANSMISSION III



E16 KL500-060000换档变速总成(三) TRANSMISSION III						
REF NO	PARTCODE	DESCRIPTION (EN)	DESCRIPTION (CN)	Q'TY	PRICE (\$)	REMARKS
1	GB/T894.1/12	RETAINER	挡圈	3		
2	KL500-063002	LEFT SHIFT FORK	左换档拨叉	1		
3	KL500-063003	SPRING, SHIFT FORK	细拨叉弹簧	1		
4	KL500-063001	GUIDE BAR	换档拨叉轴	1		
5	KL500-063004	RIGHT SHIFT FORK	右换档拨叉	1		
6	KL500-063005	SPRING, SHIFT FORK	粗拨叉弹簧	1		
7	KL500-063006	SPRING SEAT	弹簧座	2		
8	KL500-064002	FASTEN SCREW T25	紧定螺钉 T25	1		
9	KL500-064003	GEAR CONTACTOR	档位触头	1		
10	KL500-064004	SPRING, GEAR CONTACTOR	档位触头弹簧	1		
11	KL500-064001	LIMIT WASHER	限位垫片	1		
12	KL500-064005	SHIFT CAM	变速鼓	1		
13	GB/T308/3/8	FRICITION BALL	钢球	1		
14	KL500-023069	WASHER 14×22×1	垫片 14x22x1	1		
15	KL500-023068	HOLE BOLT M14×1.5	空心螺栓M14x1.5	1		
16	KL500-068003	LIMIT SPRING	限位弹簧	1		
17	KL500-065201	WASHER, DRIVEN SECTOR GEAR	换档从动扇形齿轮垫片	1		
18	KL500-065202	SHAFT, DRIVEN SECTOR GEAR	换档从动扇形齿轮轴	1		
19	KL500-065203	DRIVEN SECTOR GEAR	换档从动扇形齿轮	1		
20	KL500-023064	WASHER 13.5×22×1	垫片 13.5x22x1	1		
21	KL500-023065	TORSION SPRING, DRIVEN SECTOR GEAR	换档从动扇形齿轮扭簧	1		
22	KL500-023066	WASHER 6.6×20×2	垫片 6.6x20x2	1		
23	152MI-013008	BOLT M6×35	螺栓 M6x35	1		
24	152MI-021017	BOLT M6×25	螺栓M6x25	3		
25	152MI-080012	BOLT M6×32	螺栓M6x32	1		
26	KL500-065004		线卡	1		
27	152MI-023010	BOLT M6×20	螺栓 M6x20	1		
28	KL500-023066	GASKET 6.6×20×2	垫片 6.6x20x2	1		
29	KL500-065300	ROCKER ARM, GEARSHIFT	换档摇臂组件	1		
30	KL500-065001	COVER, SECTOR GEAR HOUSING	换档扇形齿轮室盖	1		
31	KL500-065002	OIL SEAL SD 15 25 5	油封 SD 15 25 5	1		
32	KL500-065100	WELD PART, DRIVE SECTOR GEAR	换档主动扇形齿轮焊接部件	1		
33	152MI-08008	DOWEL PIN φ 8×14	定位销 φ 8×14	1		
34	KL500-065003	GASKET, SECTOR GEAR HOUSING	换档扇形齿轮室垫片	1		

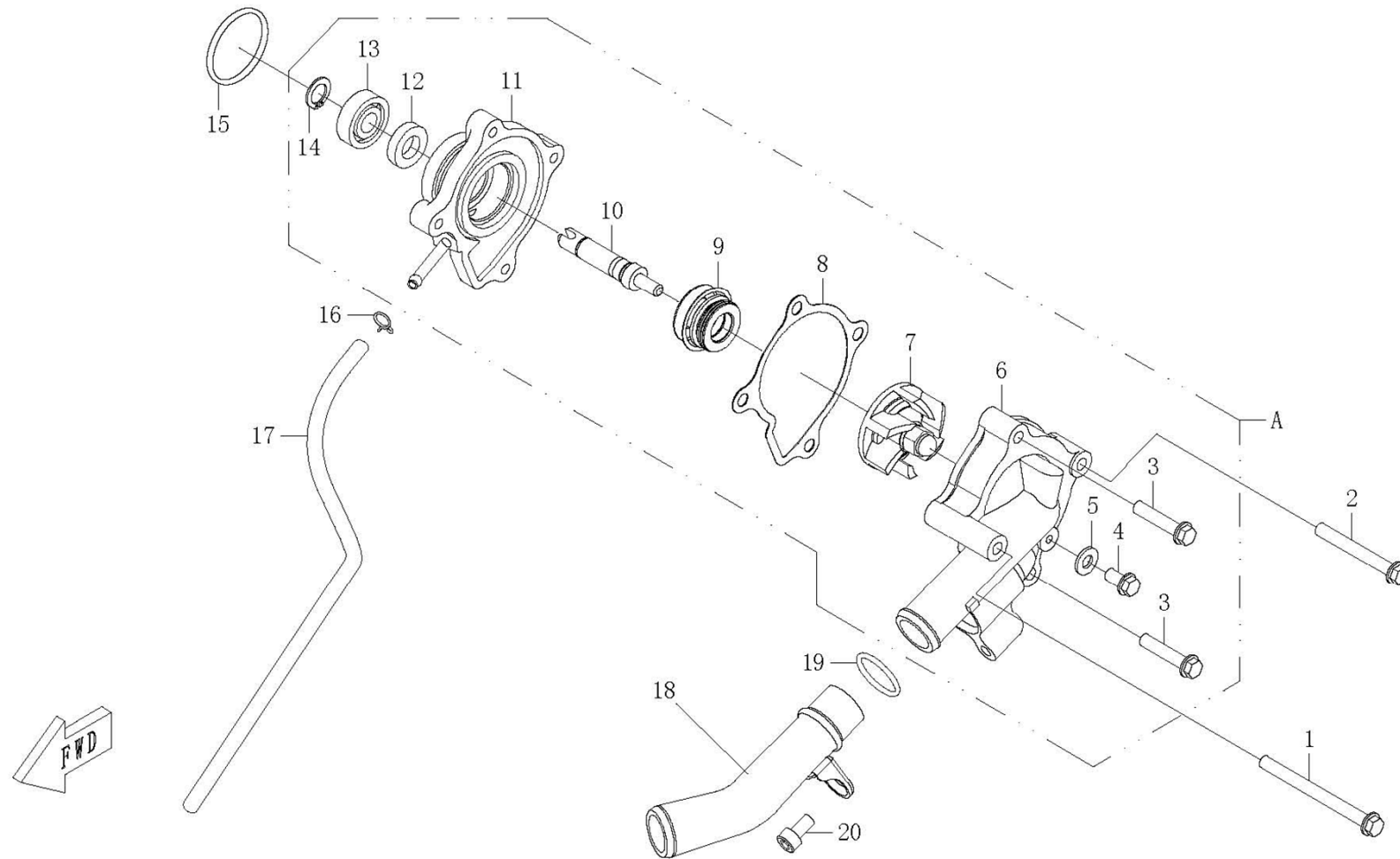
E17 KL500-070000机油泵总成 OIL PUMP



E17 KL500-070000机油泵总成 OIL PUMP

REF NO	PARTCODE	DESCRIPTION (EN)	DESCRIPTION (CN)	Q'TY	PRICE (\$)	REMARKS
A	KL500-073000	RELIEF VALVE	安全阀总成	1		
B	KL500-071000	OIL PUMP	机油泵分总成	1		
1	KL500-073002	O-RING 10×2.3	O形密封圈 10×2.3	1		
2	KL500-073001	RELIEF VALVE BODY	安全阀阀体	1		
3	KL500-073003	OIL PLUG, RELIEF VALVE	安全阀油堵	1		
4	KL500-073004	SPRING RELIEF VALVE	安全阀弹簧	1		
5	KL500-073005	SPRING WASHER	弹簧挡片	1		
6	GB/T893.1-1986 12	RETAINER 12	挡圈 12	1		
7	KL500-073006	PRESSURE STRIP, RELIEF VALVE	安全阀压紧板	1		
8	GB/T5781-2000	BOLT M6×12	螺栓 M6×12	2		
9	GB/T894.1/11	RETAINER 11	挡圈 11	1		
10	KL500-070003	SPROCKET, OIL PUMP	机油泵链轮	1		
11	KL500-074000	CHAIN, OIL PUMP	机油泵链条组件	1		
12	KL500-070002	WASHER, OIL PUMP	机油泵垫片	1		
13	KL500-071001	SHAFT, OIL PUMP	机油泵轴	1		
14	KL500-071002	ROTOR COVER	机油泵盖	1		
15	KL500-071005	OUTER ROTOR, OIL PUMP	机油泵外转子	1		
16	KL500-071006	INNER ROTOR, OIL PUMP	机油泵内转子	1		
17	KL500-071003	DOWEL PIN	定位销	2		
18	KL500-071007	STRAIGHT PIN	圆柱销	1		
19	KL500-071004	OIL PUMP HOUSING	机油泵体	1		
20	GB/T822/M5x20	SCREW M5×20	螺钉M5×20	1		
21	152MI-013009	BOLT M6×40	螺栓M6×40	3		
22	KL500-072000	OIL STRAINER	滤网焊接组合	1		
23	172MI-090008	BOLT M6×14	螺栓M6×14	1		
24	KL500-071008	O-RING 14×2.5	O形密封圈14×2.5	1		

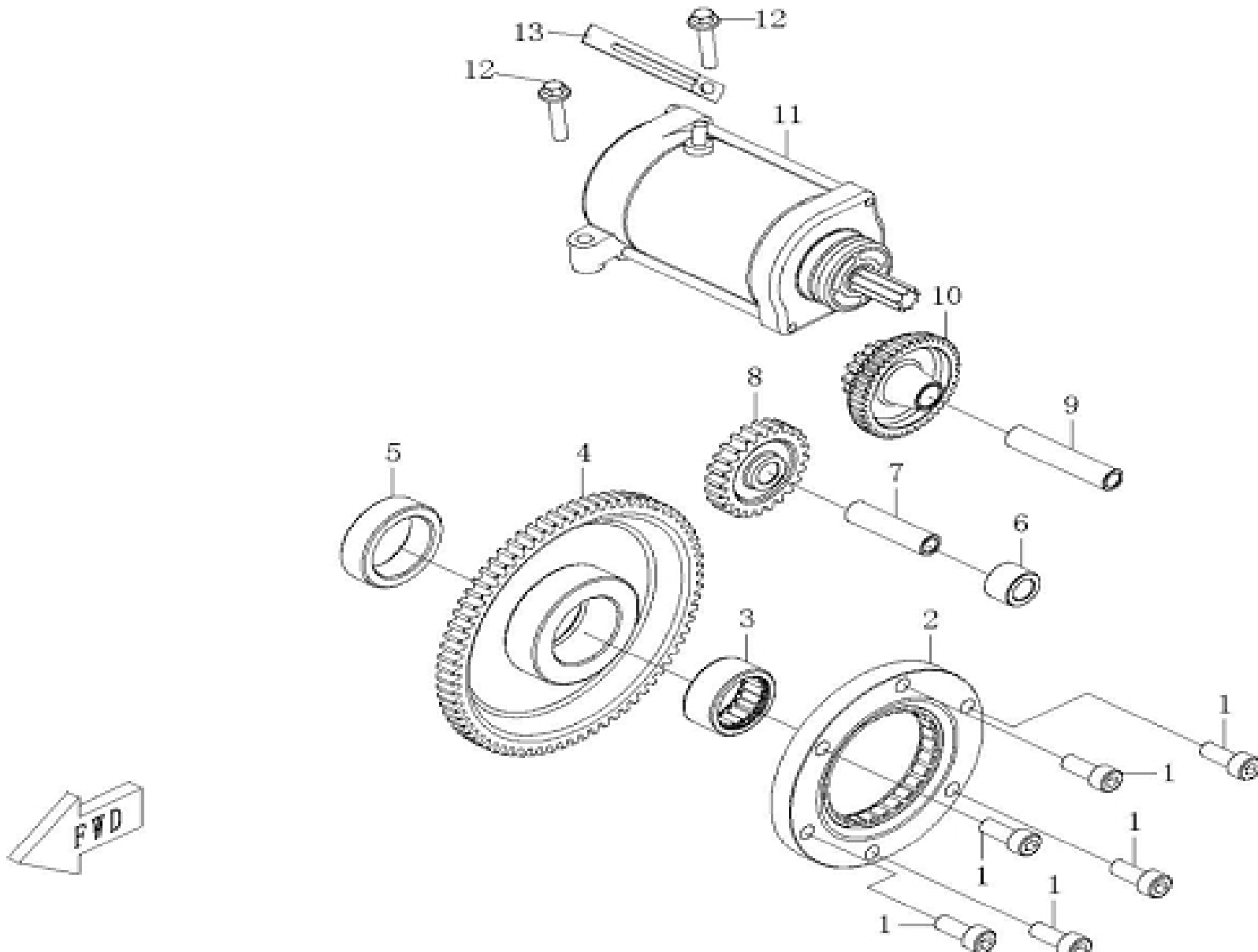
E18 KL500-080000水泵总成 WATER PUMP ASSY.



E18 KL500-080000水泵总成 WATER PUMP ASSY.

REF NO	PARTCODE	DESCRIPTION (EN)	DESCRIPTION (CN)	Q'TY	PRICE (\$)	REMARKS
A	KL500-081000	WATER PUMP	水泵分总成	1		
1	1P52MI-011018	BOLT M6×70	螺栓 M6×70	1		
2	152MI-013010	BOLT M6×50	螺栓 M6×50	1		
3	152MI-060012	BOLT M6×30	螺栓 M6×30	2		
4	152MI-021019	BOLT M6×12	螺栓 M6×12	1		
5	152MI-060009	WASHER 6	垫圈 6	1		
6	KL500-081100	WATER PUMP HOUSING COVER	水泵体合件	1		
7	KL500-081001	IMPELLER	水泵叶轮	1		
8	KL500-081006	GASKET	水泵盖密封垫	1		
9	152MI-081000	WATER SEAL	水封组件	1		
10	KL500-081004	WATER PUMP SHAFT	水泵轴	1		
11	KL500-081002	WATER PUMP HOUSING	水泵盖	1		
12	172MM-080005	OIL SEAL 10×20×5	油封 10×20×5	1		
13	GB/T276-19946000	BEARING 6000	滚动轴承 6000	1		
14	GB/T894.1/10	RETAINER 10	挡圈 10	1		
15	KL500-080002	O-RING 34×2.5	O形圈 34×2.5	1		
16	QC/T621-19996.5	WIRE CLAMP	钢丝环箍 6.5	1		
17	KL500-080003	BREATHER HOSE, WATER PUMP	溢水软管	1		
18	KL500-082000	WATER OUTLET PIPE	出水管合件	1		
19	KL500-080001	O-RING 21×2.5	O形圈 21×2.5	1		
20	GB/T70.1 M6*10	SCREW M6×10	螺钉 M6×10	1		
21						
22						
23						
24						
25						

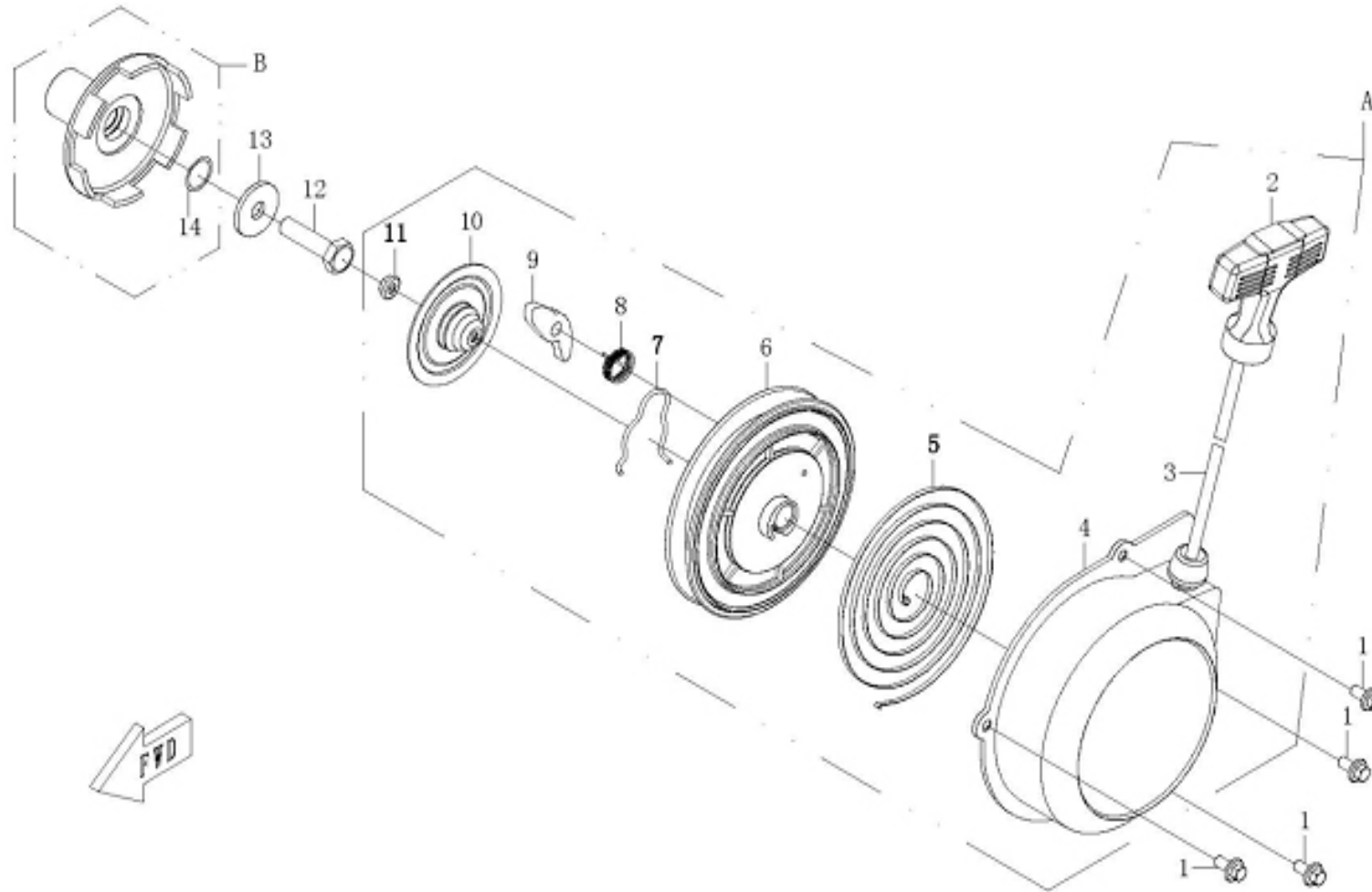
E19 KL500-091000电起动传动总成 ELECTRIC STARTING



E19 KL500-091000电启动传动总成 ELECTRIC STARTING

REF NO	PARTCODE	DESCRIPTION (EN)	DESCRIPTION (CN)	Q'TY	PRICE (\$)	REMARKS
1	GB/T70.1 M8*20	SCREW M8*20	螺钉 M8*20	6		
2	KL500-091200	OVERRIDING CLUTCH	超越离合器组件	1		
3	GB/T5801-1994	NEEDLE BEARING	滚针轴承RNA49/22	1		(28*39*17)
4	KL500-091001	DRIVEN GEAR	从动齿轮	1		
5	KL500-091007	SPACER	隔套	1		
6	KL500-091003	IDLE GEAR BUSHING	中间齿轮衬套	1		
7	KL500-091004	IDLE GEAR SHAFT	中间齿轮轴	1		
8	KL500-091002	IDLE GEAR	中间齿轮	1		
9	KL500-091006	AXLE, DUAL GEAR	双联齿轮轴	1		
10	KL500-091005	DUAL GEAR	双联齿轮	1		
11	KL500-091100	STARTING MOTOR	启动电机组件	1		
12	152MI-060012	BOLT M6*30	螺栓 M6*30	2		
13						
14						
15						
16						
17						
18						
19						
20						
21						
22						
23						
24						
25						
26						

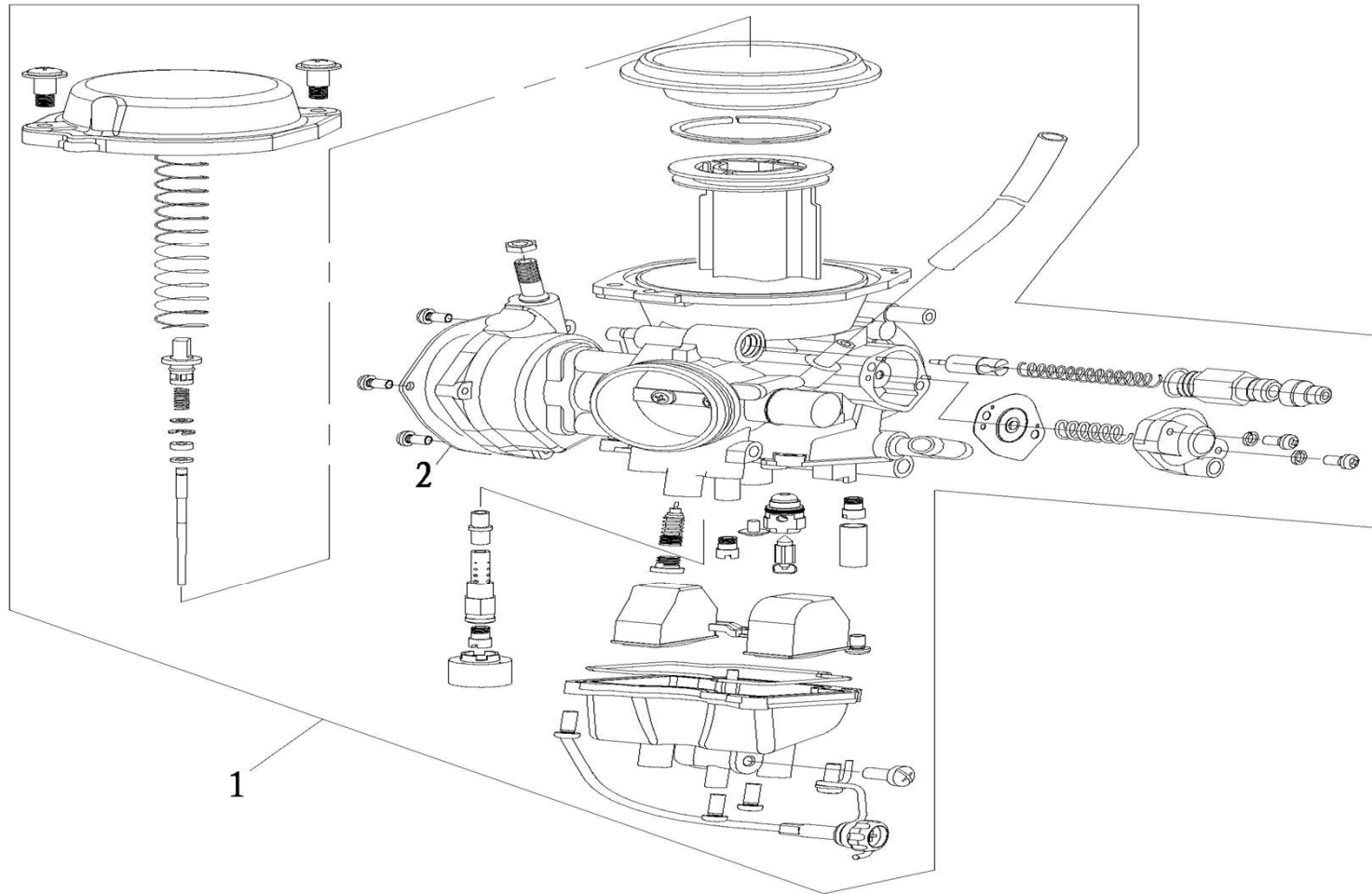
E20 KL500-092000手拉启动器总成RECOIL STARTER



E20 KL500-092000手拉启动器总成RECOIL STARTER

REF NO	PARTCODE	DESCRIPTION (EN)	DESCRIPTION (CN)	Q'TY	PRICE (\$)	REMARKS
A	KL500-092200	RECOIL STARTER	手拉启动分总成	1		
B	KL500-092100	STARTER PULLY	启动爪分总成	1		
1	152MI-021019	BOLT M6×12	螺栓 M6×12	4		
2	KL500-092300	HANDLE	手柄分总成	1		
3	KL500-092201	ROPE	线绳	1		
4	KL500-092220	STARTER HOUSING	手拉起动外壳组件	1		
5	KL500-092202	COIL SPRING	发条弹簧	1		
6	KL500-092210	SHEAVE DRUM	手拉启动盘组件	1		
7	KL500-092205	SPRING CLAMP	压板弹簧卡	1		
8	KL500-092204	PAWL SPRING	离心块回位弹簧	1		
9	KL500-092203	PAWL	离心块	1		
10	KL500-092206	FRICTION PLATE	离心块压板	1		
11	GB/T6187.1-2000	NUT M6-Zn.D	螺母 M6-Zn.D	1		
12	KL500-092001	BOLT M10×1.25×40	螺栓 M10×1.25×40	1		
13	KL500-092002	GASKET 10.2×32×3	垫片 10.2×32×3	1		
14	KL500-092102	O-RING 16.1×3.2	O形密封圈16.1X3.2	1		
15						
16						
17						
18						
19						
20						
21						
22						
23						
24						

E21 KL500-100000化油器总成 CARBURETOR



E21 KL500-100000化油器总成 CARBURETOR

REF NO	PARTCODE	DESCRIPTION (EN)	DESCRIPTION (CN)	Q'TY	PRICE (\$)	REMARKS
1	KL500-100000	CARBURETOR	化油器总成	1		
2						
3						
4						
5						
6						
7						
8						
9						
10						
11						
12						
13						
14						
15						
16						
17						
18						
19						
20						
21						
22						
23						
24						
25						
26						