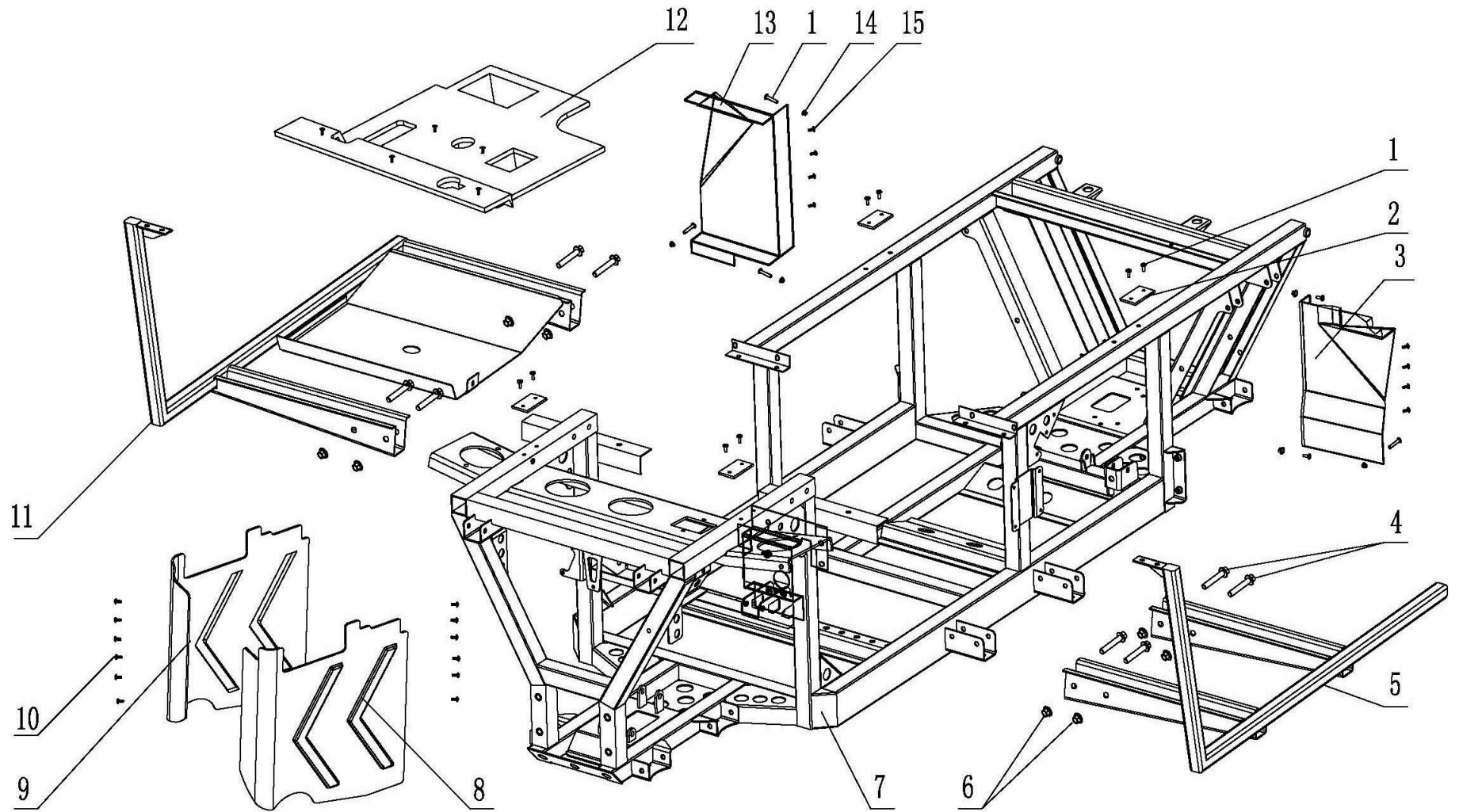
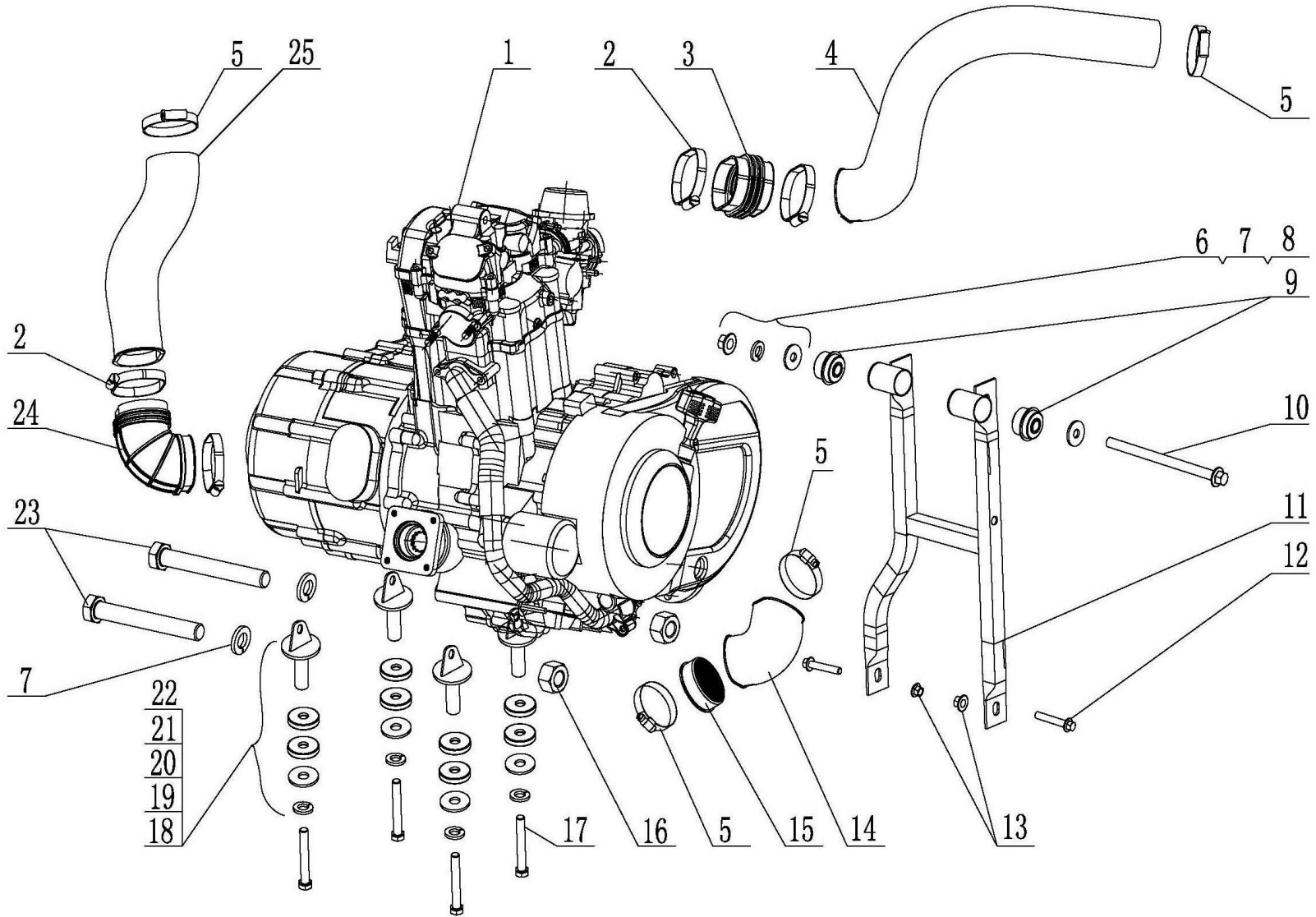


F01 车架总成 MAIN FRAME



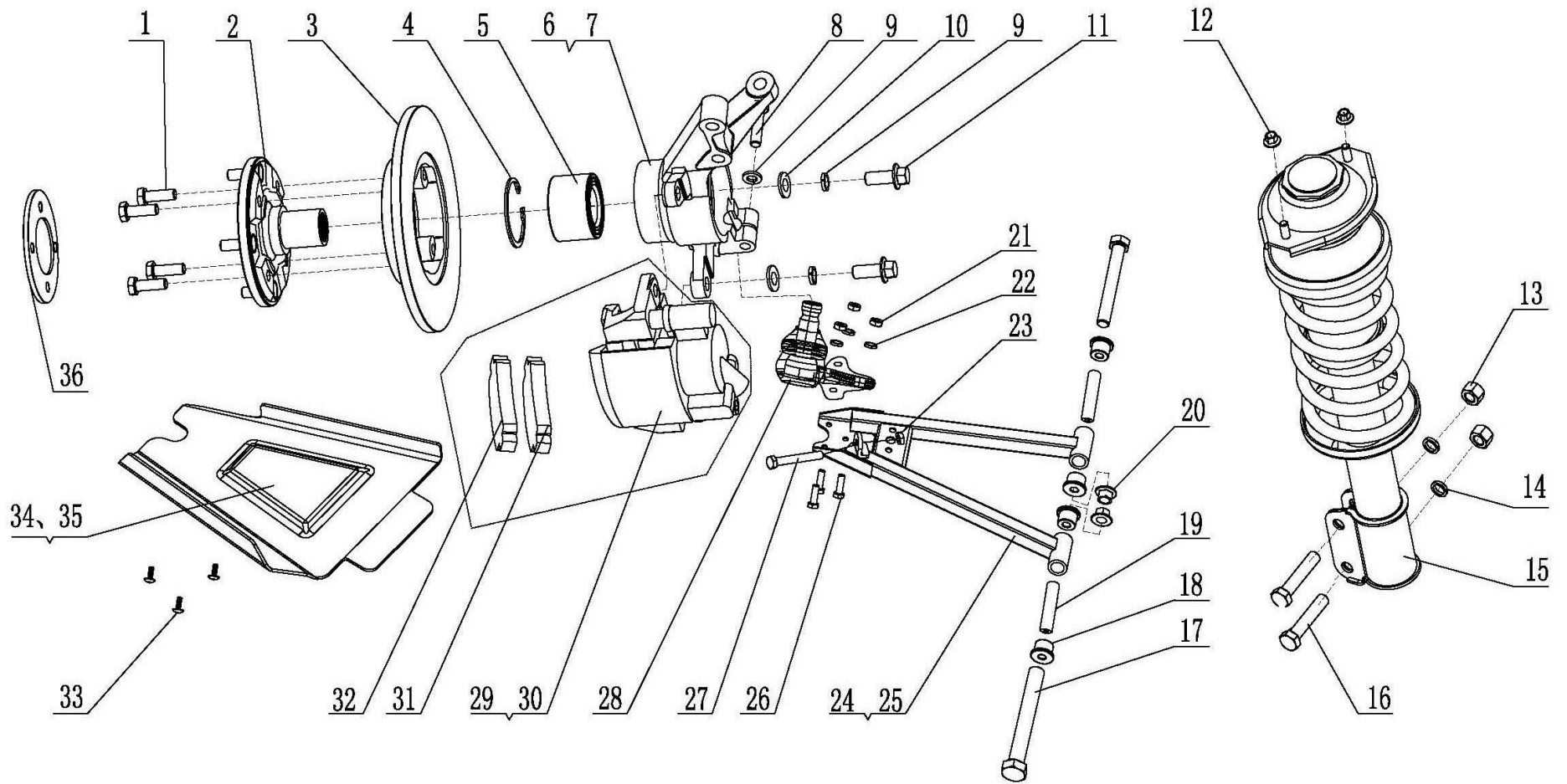
CODE	PART CODE	DESCRIPTION (EN)	DESCRIPTION (CN)	Q' TY	PRICE (\$)	REMARKS
1	GB/T 819.1 M6×16	SCREW (M6×16)	十字大扁头螺栓 (M6×16)	14		
2	A1216370	RUBBER GASKET, CARGO BOX	车厢垫块	4		
3	01208010	REAR FENDER (L)	后挡泥板左	1		
4	GB/T 16674.2 M10×1.25×60	BOLT, FLANGE (M10×1.25×60)	六角法兰面螺栓 (M10×1.25×60)	8		
5	01201030	SIDE BRACKET, L	左侧副梁组件	1		
6	GB/T 6187.2 M10×1.25	LOCKING NUT (M10×1.25)	六角自锁螺母 (M10×1.25)	8		
7	01201010	MAIN FRAME	车架总成	1		
8	01109030	ORNAMENT PANEL, WHEEL (L)	车轮内装饰板 (左)	1		
9	01109040	ORNAMENT PANEL, WHEEL (R)	车轮内装饰板 (右)	1		
10	S0501002	RIVET (Φ5×16)	拉铆钉 (Φ5×16)	17		
11	01201040	SIDE BRACKET (R)	右侧副梁组件	1		
12	01016020	BATTERY PANEL	前面内电瓶板	1		
13	01208020	REAR FENDER (R)	后挡泥板右	1		
14	GB/T 6187.2 M6	LOCKING NUT (M6)	六角锁紧螺母 (M6)	6		
15	GB/T 845 4.8×16	SCREW (ST4.8×16)	十字半圆头自攻螺钉 (ST4.8×16)	8		
16						
17						
18						
19						
20						
21						
22						
23						
24						

F02 发动机 ENGINE



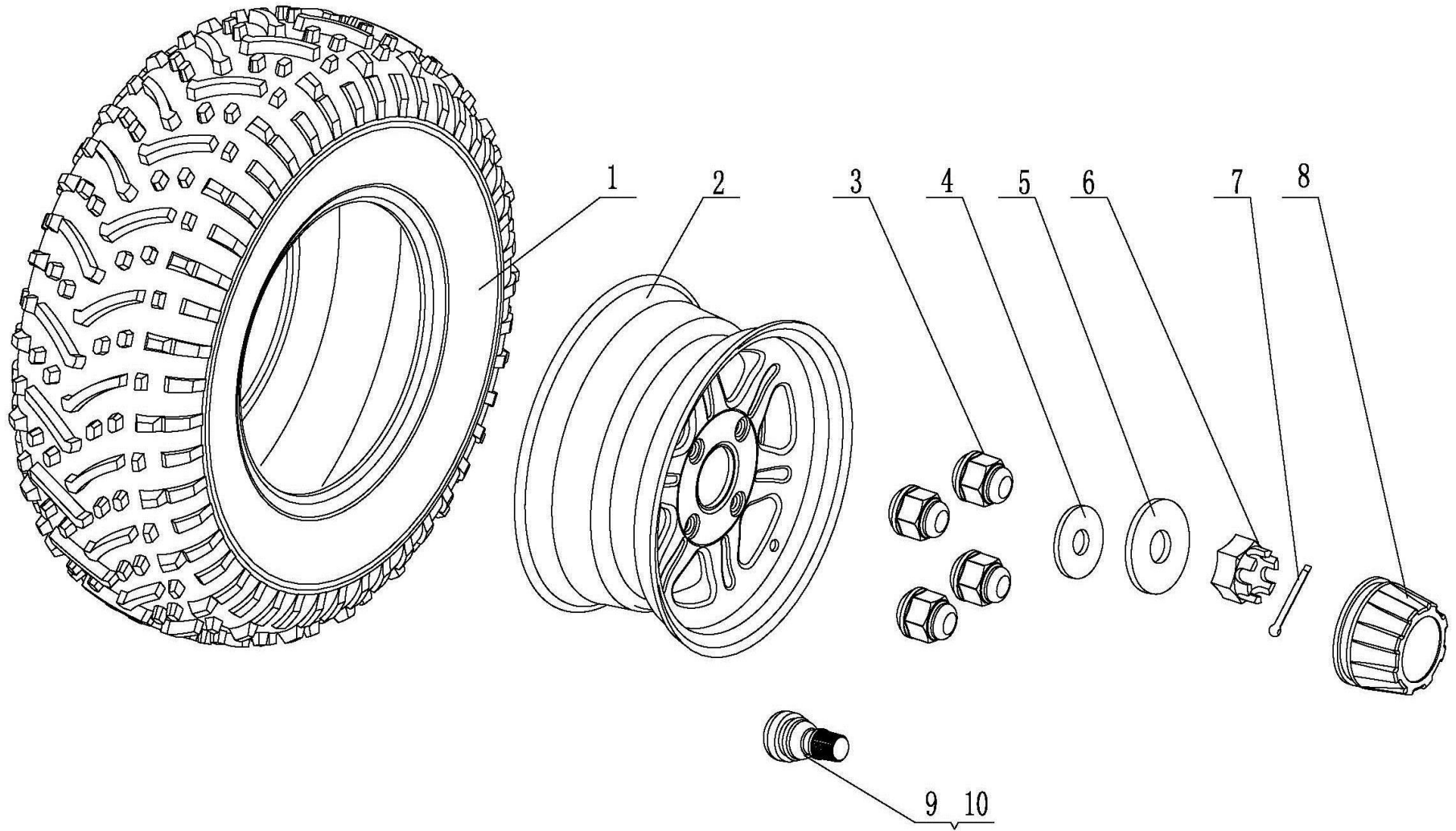
CODE	PART CODE	DESCRIPTION (EN)	DESCRIPTION (CN)	Q' TY	PRICE (\$)	REMARKS
1	A0100020	ENGINE	发动机总成	1		
2	S0301007	HOOB(φ 80-φ 100)	抱箍(φ 80-φ 100)	4		
3	A0106030	JOINT, AIR OUTLET DUCT	CVT出风管接头	1		
4	A0106010	AIR INLET DUCT	CVT出风管	1		
5	S0301006	HOOB(φ 51-φ 70)	抱箍(φ 51-φ 70)	4		
6	GB/T 6187.2 M12×1.25	LOCKING NUT(M12×1.25)	六角自锁螺母(M12×1.25)	1		
7	GB/T 93 12	SPRING WASHER(φ 12)	弹簧垫圈(φ 12)	3		
8	GB/T 95 12	WASHER(φ 12×φ 24×2)	平垫片(φ 12×φ 24×2)	2		
9	H0104020	RUBBER WASHER	缓冲胶垫(厚)	2		
10	GB/T 16674.2 M12×1.25×175	BOLT, FLANGE(M12×1.25×175)	六角法兰面螺栓(M12×1.25×175)	1		
11	00103030	REAR BRACKET, ENGINE	发动机后吊挂组件	1		
12	GB/T 16674.2 M10×1.25×20	BOLT, FLANGE(M10×1.25×20)	六角法兰面螺栓(M10×1.25×20)	2		
13	GB/T 6187.2 M10×1.25	LOCKING NUT(M10×1.25)	六角自锁螺母(M10×1.25)	2		
14	A0106081	AIR OUTLET DUCT	发动机风扇出风弯管	1		
15	A0106180	NET COVER, CVT HOSE OF IMPORT WIND	CVT进风管滤网	1		
16	GB/T 6170 M12	NUT(M12)	六角螺母(M12)	2		
17	GB/T 5782 M10×1.25×25	BOLT(M10×1.25×25)	外六角螺栓(M10×1.25×25)	4		
18	GB/T 93 10	SPRING WASHER(φ 10)	弹簧垫圈(φ 10)	4		
19	00103020	WASHER	发动机固定垫片	4		
20	00104010	RUBBER CUSHION(BOTTOM)	发动机固定下缓冲垫	4		
21	00104020	RUBBER CUSHION(TOP)	发动机固定上缓冲垫	4		
22	00103010	HOLDER, ENGINE	发动机下安装座	4		
23	GB/T 5782 M12×150	BOLT(M12×150)	外六角螺栓(M12×150)	2		
24	A0106050	JOINT, AIR INLET DUCT	CVT进风管口接头	1		
25	A0106040	JOINT, AIR INLET DUCT	CVT进风管	1		

F03 前悬挂总成 FRONT SUSPENSION



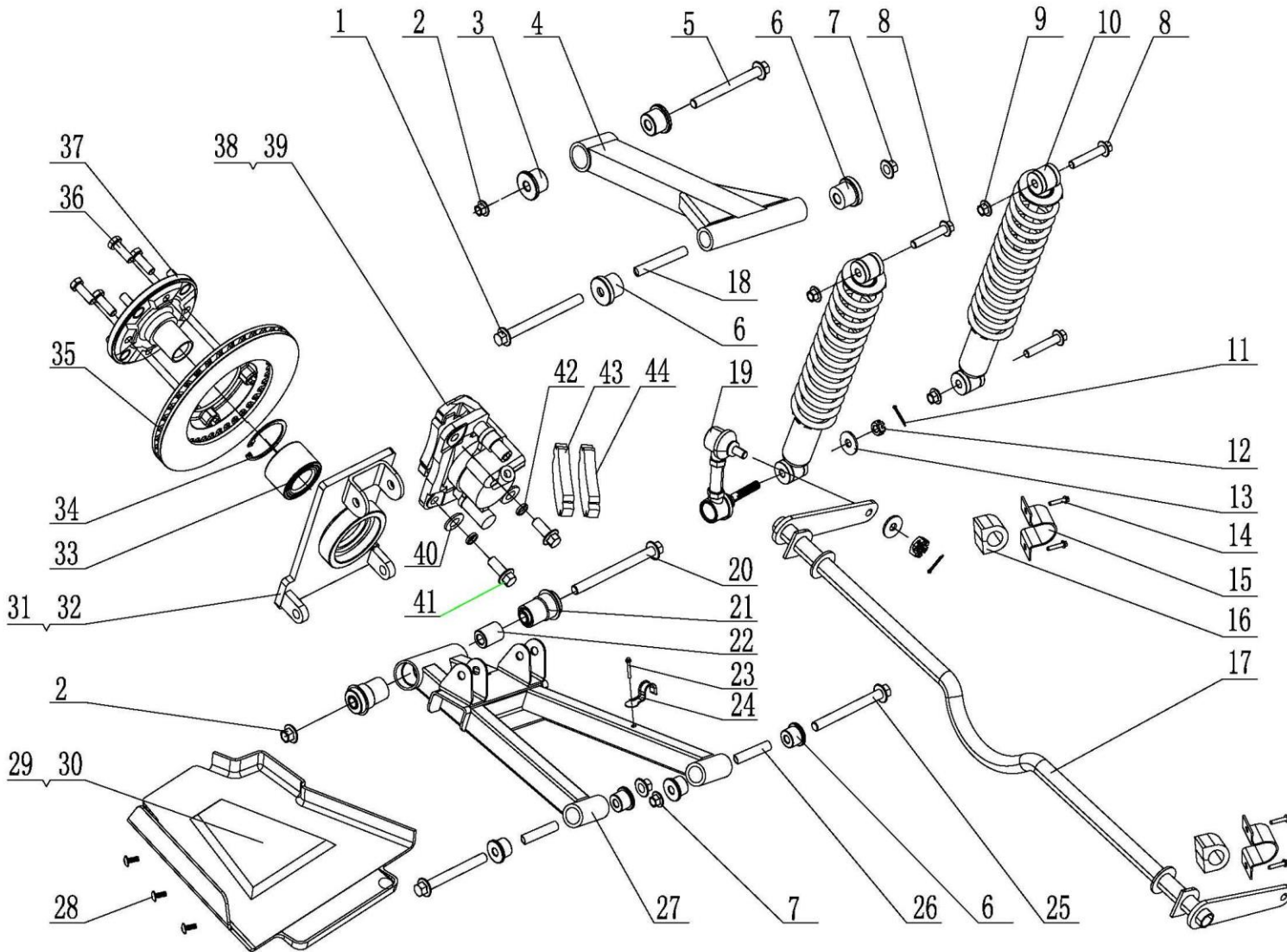
CODE	PART CODE	DESCRIPTION (EN)	DESCRIPTION (CN)	Q' TY	PRICE (\$)	REMARKS
1	GB/T 5786 M10×30	BOLT (M10×30)	外六角螺栓 (M10×30)	8		
2	A0803020	WHEEL HUB	轮毂	2		
3	A0803030	FRONT BRAKE DISC	前制动盘	2		
4	GB/T 893.2 62	CIRCLIP	孔用弹性挡圈	2		
5	A0503020	BEARING (DAC3562)	轴承 (DAC3562)	2		
6	A0503030	STEERING KNUCKLE (L)	左转向节	1		
7	A0503010	STEERING KNUCKLE (R)	右转向节	1		
8	GB/T 5785 M10×1.25×40	BOLT (M10×1.25×40)	外六角螺栓 (M10×1.25×40)	2		
9	GB/T 93 10	SPRING WASHER (φ10)	弹簧垫圈 (φ10)	6		
10	GB/T 95 10	WASHER (φ10×φ20×2)	平垫片 (φ10×φ20×2)	4		
11	GB/T 16674.2 M10×1.25×30	BOLT, FLANGE (M10×1.25×30)	六角法兰面螺栓 (M10×1.25×30)	4		
12	GB/T 6187.1 M8	LOCKING NUT (M8)	六角自锁螺母 (M8)	4		白锌
13	GB/T 6170 M12	NUT (M12)	六角螺母 (M12)	4		
14	GB/T 93 12	SPRING WASHER (φ12)	弹簧垫圈 (φ12)	4		
15	A0501000	FRONT SHOCK ABSORBER	前减震总成	2		
16	GB/T 5782 M12×60	BOLT (M12×60)	外六角螺栓 (M12×60)	4		
17	GB/T 16674.2 M10×1.25×100	BOLT, FLANGE (M10×1.25×100)	六角法兰面螺栓 (M10×1.25×100)	4		
18	W0506020	SPACER BUSH (NYLON)	摇臂衬套	8		
19	W0506030	SPACER BUSH	摆臂内隔套	4		
20	GB/T 6187.2 M10×1.25	LOCKING NUT (M10×1.25)	六角自锁螺母 (M10×1.25)	4		
21	GB/T 6170 M8	NUT (M8)	六角螺母 (M8)	6		
22	GB/T 93 8	SPRING WASHER (φ8)	弹簧垫圈 (φ8)	6		
23	GB/T 6170 M10×1.25	NUT (M10×1.25)	六角螺母 (M10×1.25)	2		
24	00505020	FRONT RIGHT ARM (LOWER)	前下摆臂组件 (右)	1		
25	00505010	FRONT LEFT ARM (LOWER)	前下摆臂组件 (左)	1		
26	GB/T 5782 M8×20	BOLT (M8×20)	外六角螺栓 (M8×20)	6		
27	GB/T 5782 M10×1.25×45	BOLT (M10×1.25×45)	外六角螺栓 (M10×1.25×45)	2		全螺纹
28	G0505110	FRONT BALL PIN (LOWER)	前下摆臂球头	2		
29	A0802020	BRAKE CALIPER (L)	左制动钳总成	1		
30	A0802010	BRAKE CALIPER (R)	右制动钳总成	1		
31	A0802022	BRAKE PAD (R)	右制动蹄片	2		
32	A0802021	BRAKE PAD (L)	左制动蹄片	2		
33	S0501002	RIVET (φ5×16)	拉铆钉 (φ5×16)	6		
34	00505030	FRONT SUSPENSION PROTECTOR (L)	前左摆臂装饰板	1		
35	00505040	FRONT SUSPENSION PROTECTOR (R)	前右摆臂装饰板	1		
36	00809020	FLANGE, HOOP	安装法兰盘	2		正新前轮胎时使用

F04 前、后轮总成 FRONT REAR WHEEL ASSY



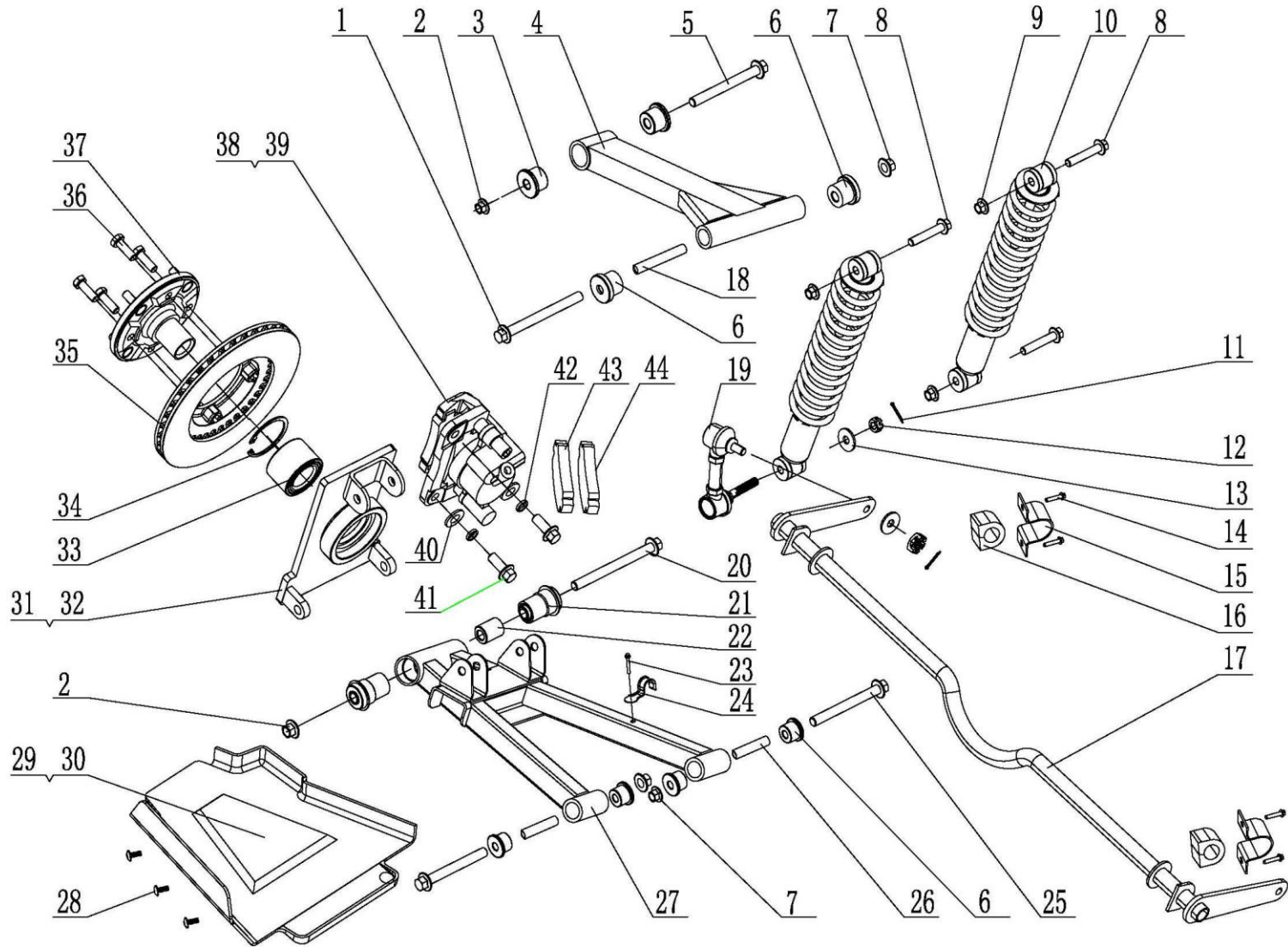
CODE	PART CODE	DESCRIPTION (EN)	DESCRIPTION (CN)	Q' TY	PRICE (\$)	REMARKS
1	A0601010	REAR TYRE	后轮胎	4		
2	A0602020	REAR RIM (IRON)	后轮辋(铁)	4		
3	A0601040	MOUNTING NUT, RIM (M18x1.5)	轮胎螺帽 (M18×1.5)	16		
4	GB/T 95 18	WASHER (φ 18× φ 34×3)	平垫片 (φ 18× φ 34×3)	4		
5	GB/T 95 18	WASHER (φ 18× φ 44×3)	平垫片 (φ 18× φ 44×3)	4		
6	A0405004	NUT, RIM SHAFT (M18×1.5)	半轴螺母 (M18×1.5)	4		
7	GB/T 91 4×30	COTTER PIN (4×30)	开口销 (4×30)	4		
8	A0602060	IRON RIM CAP	轮辋防尘罩	4		
9	A0601060	INFLATION VALVE	气门嘴	4		
10	A0601050	CAP, INFLATION VALVE	气门帽	4		
11						
12						
13						
14						
15						
16						
17						
18						
19						
20						
21						
22						
23						
24						

F05 后悬挂总成 REAR SUSPENSION



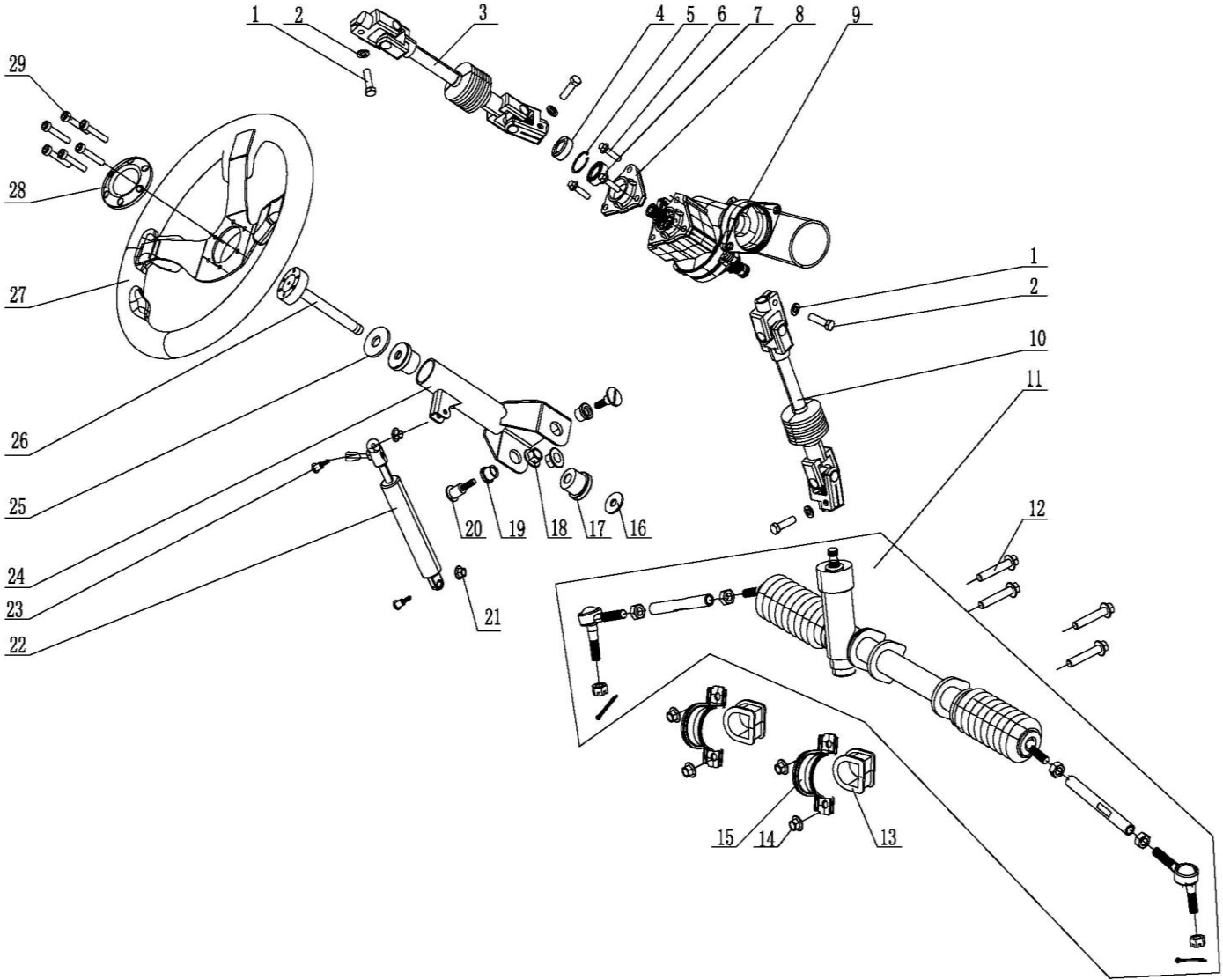
CODE	PART CODE	DESCRIPTION (EN)	DESCRIPTION (CN)	Q' TY	PRICE (\$)	REMARKS
1	GB/T 16674.2 M10×1.25×195	BOLT, FLANGE (M10×1.25×195)	六角法兰面螺栓 (M10×1.25×195)	2		
2	GB/T 6187.2 M12×1.25	LOCKING NUT (M12×1.25)	六角自锁螺母 (M12×1.25)	4		
3	A0506040	SPACER BUSH (NYLON)	后上摆臂尼龙套	4		
4	00506010	REAR UPPER ARM	后上摇臂组件	2		
5	GB/T 16674.2 M12×1.25×95	BOLT, FLANGE (M12×1.25×95)	六角法兰面螺栓 (M12×1.25×95)	2		
6	W0506020	SPACER BUSH (NYLON)	摇臂衬套	12		
7	GB/T 6187.2 M10×1.25	LOCKING NUT (M10×1.25)	六角自锁螺母 (M10×1.25)	6		
8	GB/T 16674.2 M10×1.25×55	BOLT, FLANGE (M10×1.25×55)	六角法兰面螺栓 (M10×1.25×55)	6		
9	GB/T 6187.2 M10×1.25	LOCKING NUT (M10×1.25)	六角锁紧螺母 (M10×1.25)	6		
10	A0502000	REAR SHOCK ABSORBER	后减震总成	4		
11	GB/T 91 2.5×25	COTTER PIN (2.5×25)	开口销 (2.5×25)	4		扭力杆推杆球头总成自带
12	GB/T 6179 M10×1.25	SOLT NUT (M10×1.25)	六角开槽螺母 (M10×1.25)	4		扭力杆推杆球头总成自带
13	GB/T 5287 10	WASHER (φ 10×φ 20×1)	平垫片 (φ 10×φ 20×1)	4		扭力杆推杆球头总成自带
14	GB/T 16674.2 M8×20	BOLT, FLANGE (M8×20)	六角法兰面螺栓 (M8×20)	4		
15	H0507050	HOLDER	扭力杆固定座	2		
16	H0507040	RUBBER WASHER	扭力杆缓冲胶	2		
17	00507010	TORSION BAR	扭力杆组件	1		
18	00506030	SPACER BUSH (φ 10.5×φ 16×175)	后上摇臂隔套 (φ 10.5×φ 16×175)	2		
19	00507020	GLOBE JOINT	扭力杆推杆球头总成	2		
20	GB/T 16674.2 M12×1.25×175	BOLT, FLANGE (M12×1.25×175)	六角法兰面螺栓 (M12×1.25×175)	2		
21	A0505070	BUFFERING SPACER BUSH	摇臂缓冲胶套	4		
22	A0506060	SPACER BUSH	后下摆臂隔套	2		
23	GB/T 16674.2 M6×12	BOLT, FLANGE (M6×12)	六角法兰面螺栓 (M6×12)	2		
24	G0801020	CLAMP	油管线夹	2		

F05 后悬挂总成 REAR SUSPENSION



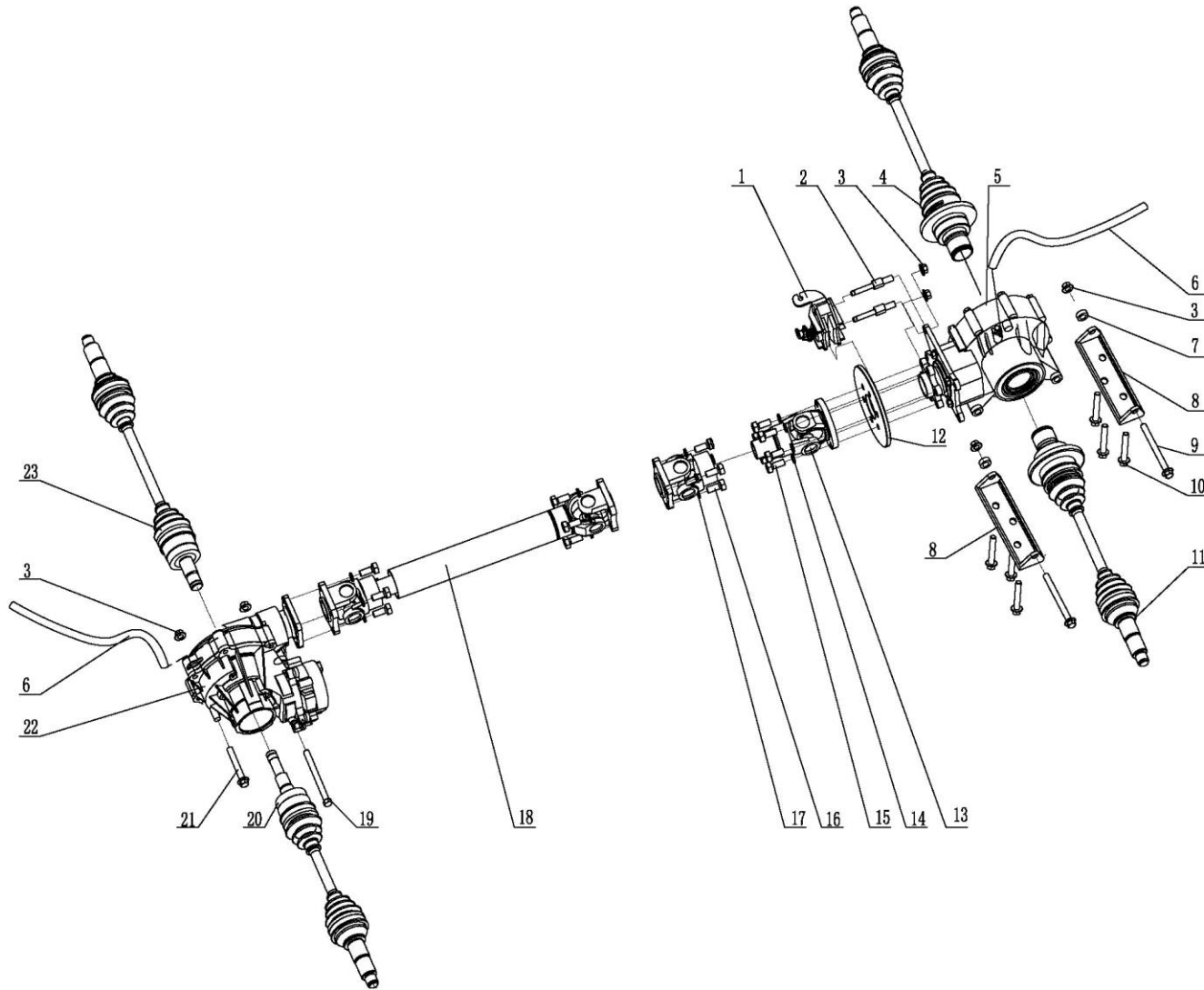
CODE	PART CODE	DESCRIPTION (EN)	DESCRIPTION (CN)	Q' TY	PRICE (\$)	REMARKS
25	GB/T 16674.2 M10×1.25×100	BOLT, FLANGE (M10×1.25×100)	六角法兰面螺栓 (M10×1.25×100)	4		
26	W0506030	SPACER BUSH	摆臂内隔套	4		
27	00506020	REAR LEFT ARM (LOWER)	后下摇臂组件	2		
28	S0501002	RIVET (Φ5×16)	拉铆钉 (Φ5×16)	6		
29	00506040	REAR SUSPENSION PROTECTOR (L)	后摆臂装饰板 (左)	1		
30	00506050	REAR SUSPENSION PROTECTOR (R)	后摆臂装饰板 (右)	1		
31	A0504010	FLANGE, REAR WHEEL (LEFT)	左后轮法兰	1		
32	A0504020	FLANGE, REAR WHEEL (RIGHT)	右后轮法兰	1		
33	A0503020	BEARING (DAC3562)	轴承 (DAC3562)	2		
34	GB/T 893.2 62	CIRCLIP	孔用弹性挡圈	2		
35	A0803010	REAR BRAKE DISC (Φ218)	后制动盘 (Φ218)	2		
36	GB/T 5782 M10×30	BOLT (M10×30)	外六角螺栓 (M10×30)	8		
37	A0803020	WHEEL HUB	轮毂	2		白锌
38	A0802020	BRAKE CALIPER (L)	左制动钳总成	1		
39	A0802010	BRAKE CALIPER (R)	右制动钳总成	1		
40	GB/T 5287 12	WASHER (Φ12×Φ24×2)	平垫片 (Φ12×Φ24×2)	4		
41	GB/T 16674.2 M12×1.25×30	BOLT, FLANGE (M12×1.25×30)	六角法兰面螺栓 (M12×1.25×30)	4		
42	GB/T 93 12	SPRING WASHER (Φ12)	弹簧垫圈 (Φ12)	4		
43	A0802022	BRAKE PAD (RIGHT)	右制动蹄片	2		
44	A0802021	BRAKE PAD (LEFT)	左制动蹄片	2		
45						
46						
47						
48						

F06 转向系统 TURNING SYSTEM



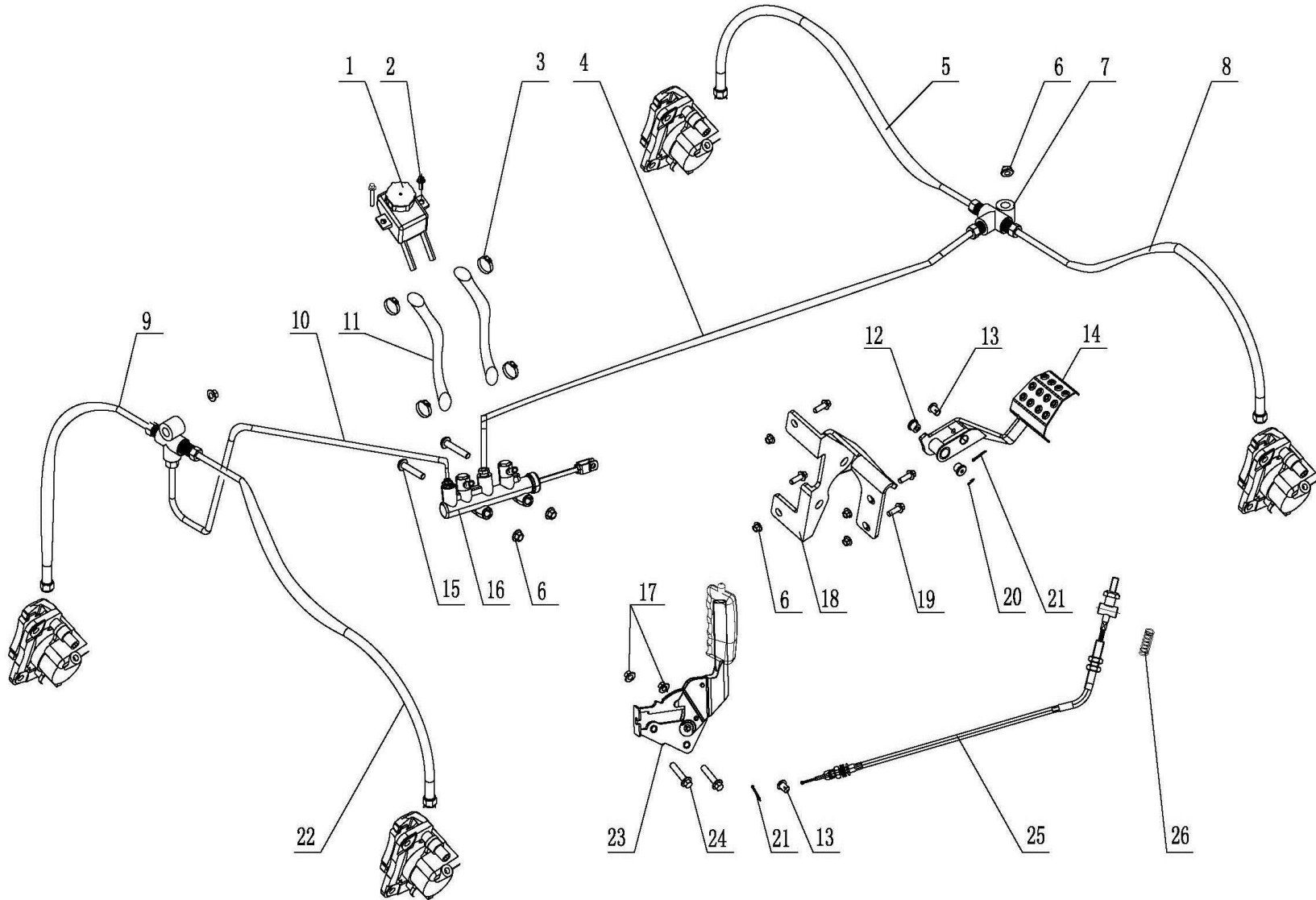
CODE	PART CODE	DESCRIPTION (EN)	DESCRIPTION (CN)	Q' TY	PRICE (\$)	REMARKS
1	GB/T 5782 M8×25	BOLT (M8×25)	外六角螺栓 (M8×25)	4		
2	GB/T 93 8	SPRING WASHER (Φ8)	弹簧垫圈 (Φ8)	4		
3	00904010	STEERING SHAFT (TOP)	上部转向轴	1		
4	00904060	OIL SEAL, STEERING STRENGTHENER	转向助力器油封	1		
5	GB/T 893.2 30	CIRCLIP (Φ30)	孔用弹性挡圈 (Φ30)	1		
6	GB/T 5787 M8×30	BOLT, FLANGE (M8×30)	六角法兰面螺栓 (M8×30)	3		
7	00904050	BEARING (6903-2R)	轴承 (6903-2R)	1		Φ17×Φ30×7
8	00904040	FLANGE, STEERING STRENGTHENER	转向助力法兰盘	1		
9	00904030	STEERING STRENGTHENER	转向助力器	1		
10	00904020	STEERING COLUMN (BOTTOM)	下部转向轴	1		
11	00901010	STEERING ASSY	方向机总成	1		
12	GB/T 16674.2 M10×1.25×70	BOLT, FLANGE (M10×1.25×70)	六角法兰面螺栓 (M10×1.25×70)	4		彩锌
13	A0901040	HOLSTER, STEERING ASSY	方向机抱箍皮套	2		
14	GB/T 6187.2 M10×1.25	LOCKING NUT (M10×1.25)	六角自锁螺母 (M10×1.25)	4		
15	A0901030	HOOP, STEERING COLUMN (IRON)	方向机抱箍 (铁)	2		
16	GB/T 95 14	GASKET (Φ14×Φ26×3)	平垫片 (Φ14×Φ26×3)	1		
17	00903050	SPACER BUSH (NYLON)	方向柱管尼龙套	2		
18	GB/T 6187.2 M8	LOCKING NUT (M8)	六角自锁螺母 (M8)	2		
19	W0806030	SPACER BUSH (NYLON)	尼龙小隔套	2		
20	00903010	BOLT, STEERING COLUMN	方向柱固定螺栓	2		
21	GB/T 6187.2 M6	LOCKING NUT (M6)	六角自锁螺母 (M6)	2		
22	W0903020	GAS SRPING, STEERING COLUMN	方向柱调节气弹簧	1		
23	S1001005	BOLT (M6)	台阶螺栓 (M6)	2		
24	00903080	STEERING COLUMN	方向柱管	1		
25	GB/T 95 18	GASKET (Φ18×Φ34×3)	平垫片 (Φ18×Φ34×3)	4		
26	90101020	CORE SHAFT, STEERING	方向柱管轴	1		
27	A0902010	STEERING WHEEL ASSY	方向盘总成	1		
28	G0902040	DECORATING COVER	喇叭按钮装饰罩	1		
29	GB/T 70.1 M5×15	BOLT (M5×15)	内六角螺栓 (M5×15)	6		

F07 传动系统 TRANSMISSION SYSTEM



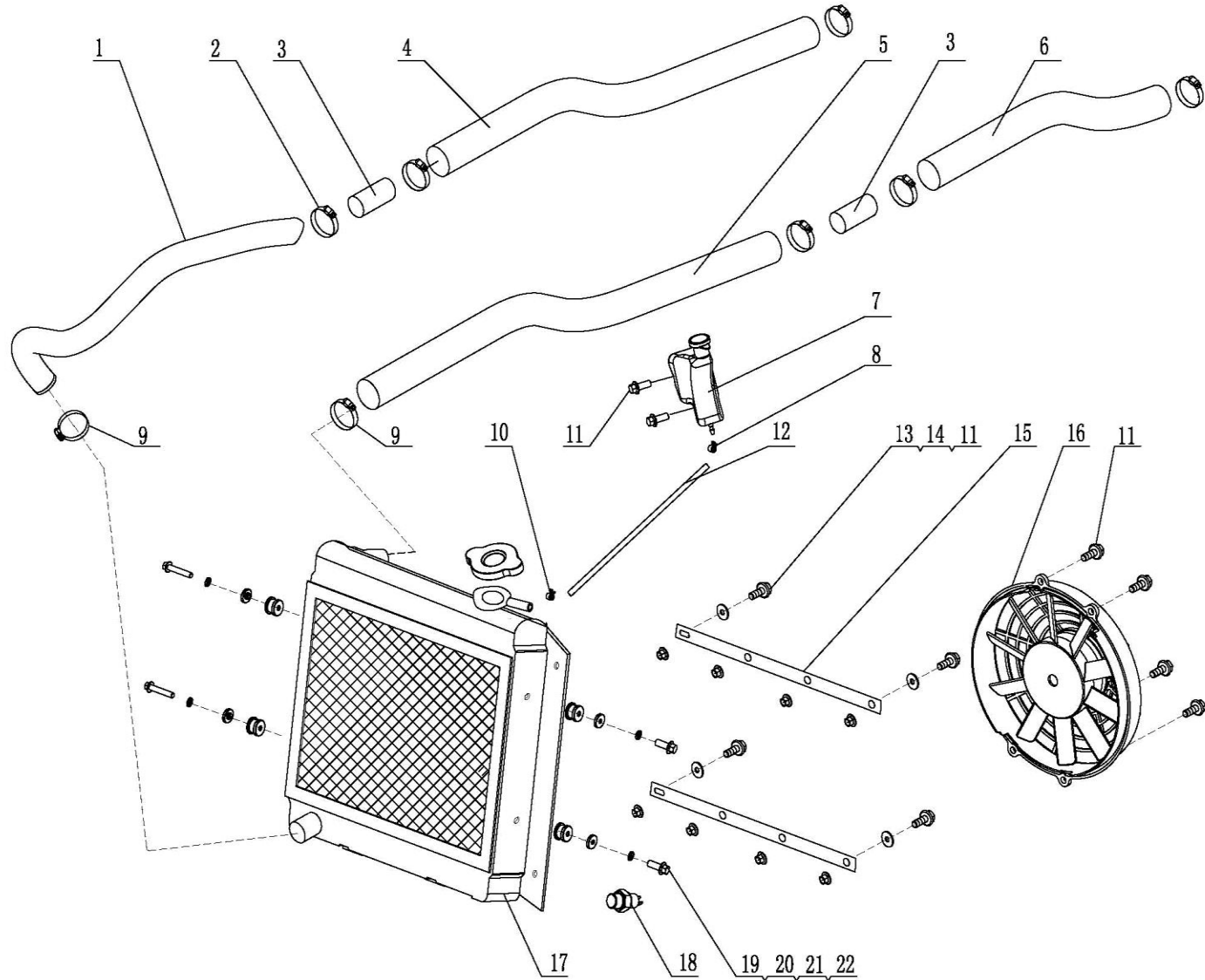
CODE	PART CODE	DESCRIPTION (EN)	DESCRIPTION (CN)	Q' TY	PRICE (\$)	REMARKS
1	00808010	HAND BRAKE ASSY	手刹制动钳	1		
2	A0808010	PIN BOLT, HAND BRAKE	手刹制动器导向定位销	2		
3	GB/T 6187.1 M10×1.25	LOCKING NUT (M10×1.25)	六角自锁螺母 (M10×1.25)	6		
4	00405040	SHAFT SET, R. REAR	右后半轴	1		
5	A0402000	REAR AXLE ASSY	后牙包总成	1		
6	A0205030	AIR HOSE, AXLE	水管	2		
7	00402010	SPACER BUSH (Φ 10.5×Φ 20×11.5)	后牙包吊耳垫块 (Φ 10.5×Φ 20×11.5)	2		
8	H0402010	SUPPORT, REAR DIFFERENTIAL	后牙包后支架	2		
9	GB/T 16674.2 M10×1.25×120	BOLT, FLANGE (M10×1.25×120)	六角法兰面螺栓 (M10×1.25×120)	2		
10	GB/T 16674.2 M8×20	BOLT, FLANGE (M8×20)	六角法兰面螺栓 (M8×20)	6		
11	00405030	SHAFT SET, L. REAR	左后半轴	1		
12	00809010	GRIP BRAKE	手刹制动盘	1		
13	00404020	REAR DRIVE SHAFT	后传动轴	1		
14	GB/T 93 10	SPRING WASHER (Φ 10)	弹簧垫圈 (Φ 10)	6		
15	GB/T 16674.1 M10×1.25×30	BOLT, FLANGE (M10×1.25×30)	六角法兰面螺栓 (M10×1.25×30)	6		彩锌
16	A0404030	BOLT (M8×1×22)	传动轴螺栓 (M8×1×22)	12		彩锌
17	GB/T 93 8	SPRING WASHER (Φ 8)	弹簧垫圈 (Φ 8)	12		
18	00404010	FRONT DRIVE SHAFT	前传动轴	1		
19	GB/T 5786 M10×1.25×70	BOLT (M10×1.25×70)	外六角螺栓 (M10×1.25×70)	1		全螺纹
20	00405010	SHAFT SET, L. FR	前左半轴	1		
21	GB/T 16674.2 M10×1.25×90	BOLT, FLANGE (M10×1.25×90)	六角法兰面螺栓 (M10×1.25×90)	1		
22	A0401000	FRONT AXLE ASSY	前牙包总成	1		
23	00405020	SHAFT SET, R. FR	前右半轴	1		
24						

F08 制动系统 BRAKE SYSTEM



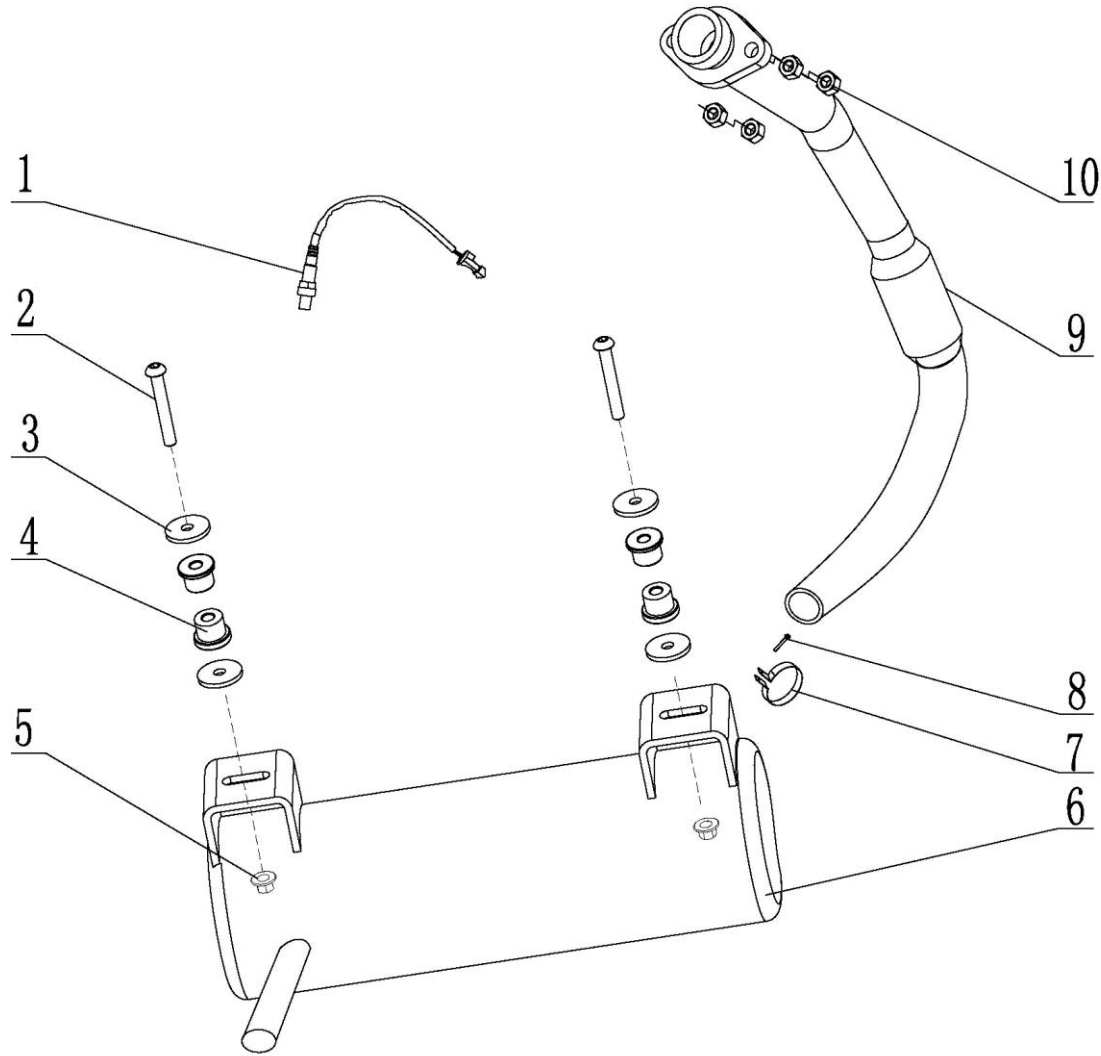
CODE	PART CODE	DESCRIPTION (EN)	DESCRIPTION (CN)	Q' TY	PRICE (\$)	REMARKS
1	A0804000	BRAKE FLUID RESERVOIR	制动油壶	1		
2	GB/T 16674.2 M6×16	BOLT, FLANGE (M6×16)	六角法兰面螺栓 (M6×16)	2		
3	S0301003	CIRCLIP (φ 13-φ 19)	抱箍 (φ 13-φ 19)	4		
4	00805050	BRAKE HOSE, FRONT MASTER CYLINDER (M)	刹车软管 (中间)	1		
5	00805040	BRAKE HOSE, REAR MASTER CYLINDER (R)	刹车软管 (右后)	1		
6	GB/T 6187.1 M10×1.25	LOCKING NUT (M10×1.25)	六角自锁螺母 (M10×1.25)	8		
7	A0807010	T-JOINT, BRAKE HOSE	刹车油管三通	2		
8	00805030	BRAKE HOSE, REAR MASTER CYLINDER (L)	刹车软管 (左后)	1		
9	00805020	BRAKE HOSE, FRONT MASTER CYLINDER (R)	刹车软管 (右前)	1		
10	E0805140	COPPER TUBE, BRAKE	后刹车中段铜管	1		
11	A1209031	BRAKE HOSE	汽油管 (EEC)	2		
12	W0806030	SPACER BUSH (NYLON)	尼龙小隔套	2		
13	GB/T 882 8×20	PIN (φ 8×20)	销轴 (φ 8×20)	2		
14	W0806010	FIXING PLATE	刹车固定板组件	1		
15	GB/T 70.1 M10×1.25×60	BOLT (M10×1.25×60)	内六角半圆头螺栓 (M10×1.25×60)	2		
16	00801010	MASTER CYLINDER, PEDAL BRAKE	制动总泵	1		
17	GB/T 6187.1 M8	LOCKING NUT (M8)	六角自锁螺母 (M8)	2		
18	W0806020	HOLDER, BRAKE AND THROTTLE	油门刹车安装座组件	1		
19	GB/T 16674.2 M10×1.25×25	BOLT, FLANGE (M10×1.25×25)	六角法兰面螺栓 (M10×1.25×25)	4		
20	S0303012	E-CIRCLIP (φ 10×φ 20×1)	异形卡簧 (φ 10×φ 20×1)	1		
21	GB/T 91 2×30	COTTER PIN (2×30)	开口销 (2×30)	2		
22	00805010	BRAKE HOSE, FRONT MASTER CYLINDER (L)	刹车软管 (左前)	1		
23	00810010	HANDLE BRAKE	手刹手柄	1		
24	GB/T 16674.2 M8×30	BOLT, FLANGE (M8×30)	六角法兰面螺栓 (M8×30)	2		
25	00810020	CABLE, PARKING	手刹拉索	1		
26	A0810030	CABLE, PARKING	手刹线回位弹簧	1		

F09 水冷系统 WATER COOLER SYSTEM



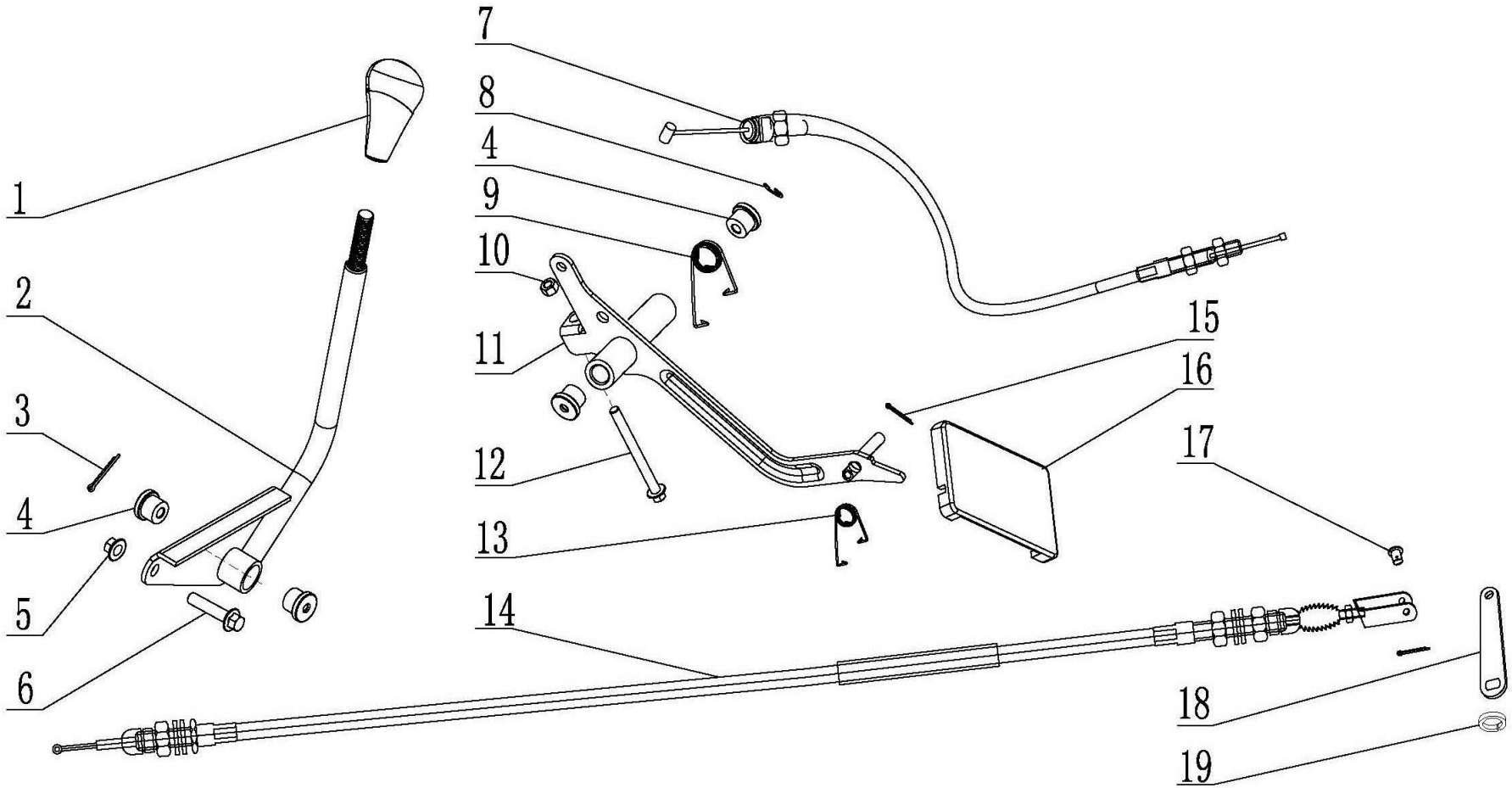
CODE	PART CODE	DESCRIPTION (EN)	DESCRIPTION (CN)	Q' TY	PRICE (\$)	REMARKS
1	A0201040	WATER OUTLET HOSE, FR	发动机出水管(前段)	1		
2	S0301004	CIRCLIP(φ 22-φ 32)	抱箍(φ 22-φ 32)	6		
3	W0201060	JOINT, WATER HOSE	水管接头	2		
4	C0201010	INTAKE PIPE, ENGINE (REAR)	发动机出水管(后段)	1		
5	A0201020	WATER HOSE, WATER GAP	加水口管	1		
6	A0201010	WATER OUTLET HOSE, RR	发动机出水管(后段)	1		
7	H0205020	RESERVOIR TANK	补充水壶	1		
8	S0302112	CLAMP(φ 10)	卡箍(φ 10)	1		
9	S0301005	CIRCLIP(φ 25-φ 38)	抱箍(φ 25-φ 38)	2		
10	S0302114	CLAMP(φ 12)	卡箍(φ 12)	1		
11	GB/T 16674. 2 M6×16	BOLT, FLANGE(M6×16)	六角法兰面螺栓(M6×16)	10		
12	A0205040	WATER HOSE, RESERVOIR TANK	补充水管(840mm, 粗细头)	1		
13	GB/T 6187. 1 M6	LOCKING NUT(M6)	六角自锁螺母(M6)	8		
14	GB/T 95 8	WASHER(φ 8×φ 16×1)	平垫片(φ 8×φ 16×1)	4		
15	00203040	FAN BRACKET	下电子风扇安装条	2		
16	A0203010	FAN ASSY	水箱风扇组件	1		
17	00202010	RADIATOR	铝水箱	1		
18	A1005010	THERMOSWITCH	温控开关	1		
19	00202020	BUFFERING COLLAR	工字胶套	4		
20	00202030	SPACER BUSH	水箱衬套	4		
21	GB/T 93 6	SPRING WASHER(φ 6)	弹簧垫圈(φ 6)	4		
22	GB/T 16674. 2 M6×20	BOLT, FLANGE(M6×20)	六角法兰面螺栓(M6×20)	4		
23						
24						

F10 排气系统 EXHAUST SYSTEM



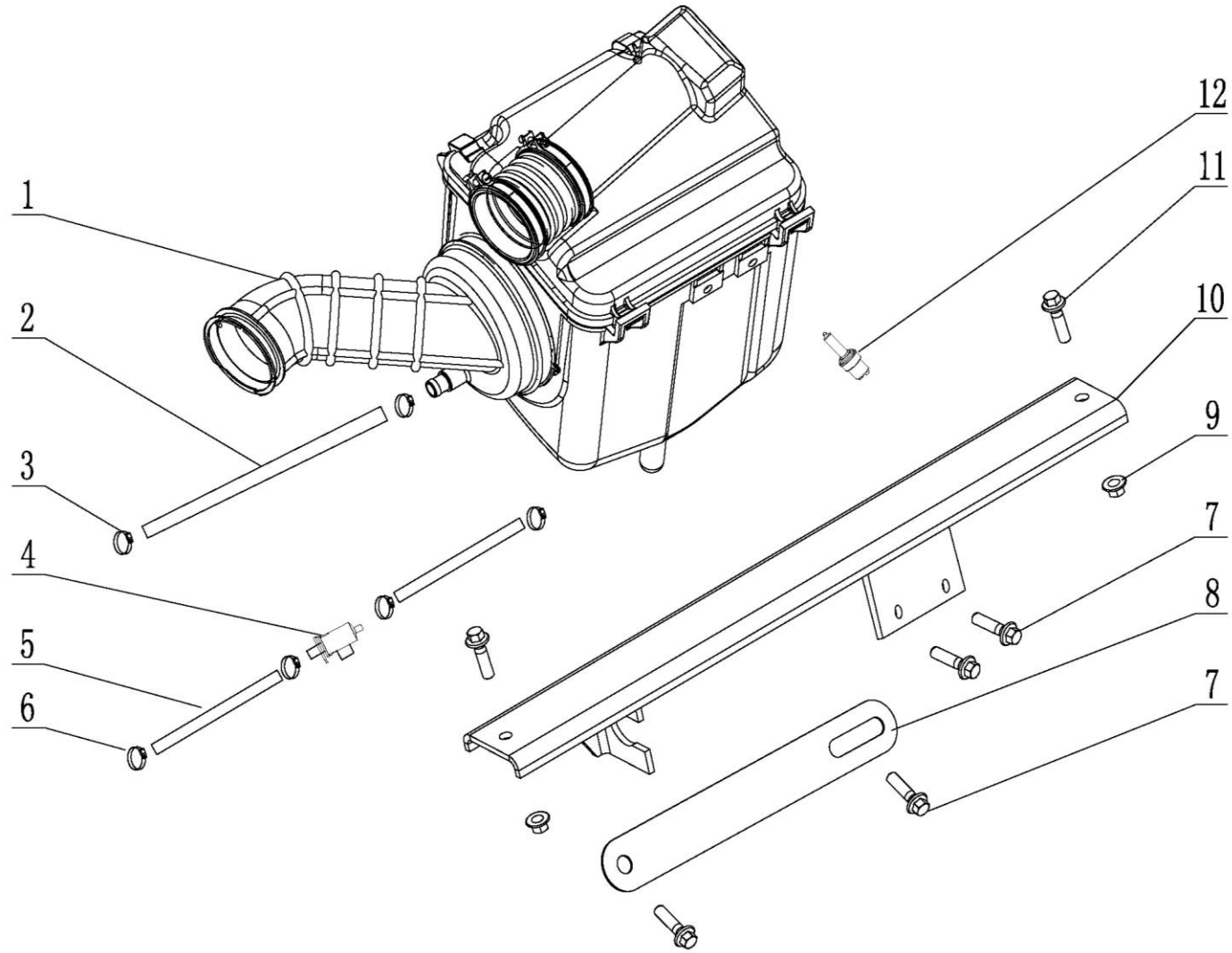
CODE	PART CODE	DESCRIPTION (EN)	DESCRIPTION (CN)	Q' TY	PRICE (\$)	REMARKS
1	A0110100	OXYGEN TRANSDUCER	氧传感器	1		
2	GB/T 70.1 M10×1.25×55	BOLT (M10×1.25×55)	内六角半圆头螺栓 (M10×1.25×55)	2		
3	A0107050	WASHER	排气管(平衡拉杆)缓冲胶垫垫片	4		
4	A0104030	RUBBER WASHER	缓冲胶垫(薄)	4		
5	GB/T 6187.1 M10×1.25	LOCKING NUT (M10×1.25)	六角自锁螺母 (M10×1.25)	2		
6	00107020	MUFFLER	消声器组件	1		
7	00107030	HOOP, MUFFLER	消声器安装套	1		
8	GB/T 5789 M8×25	BOLT, FLANGE (M8×25)	六角法兰面螺栓 (M8×25)	1		
9	00107010	EXHAUST PIPE	排气管组件	1		
10	GB/T 6170 M8	NUT (M8)	六角螺母 (M8)	4		
11						
12						
13						
14						
15						
16						
17						
18						
19						
20						
21						
22						
23						
24						

F11 变速操纵机构 GEAR SHIFTING



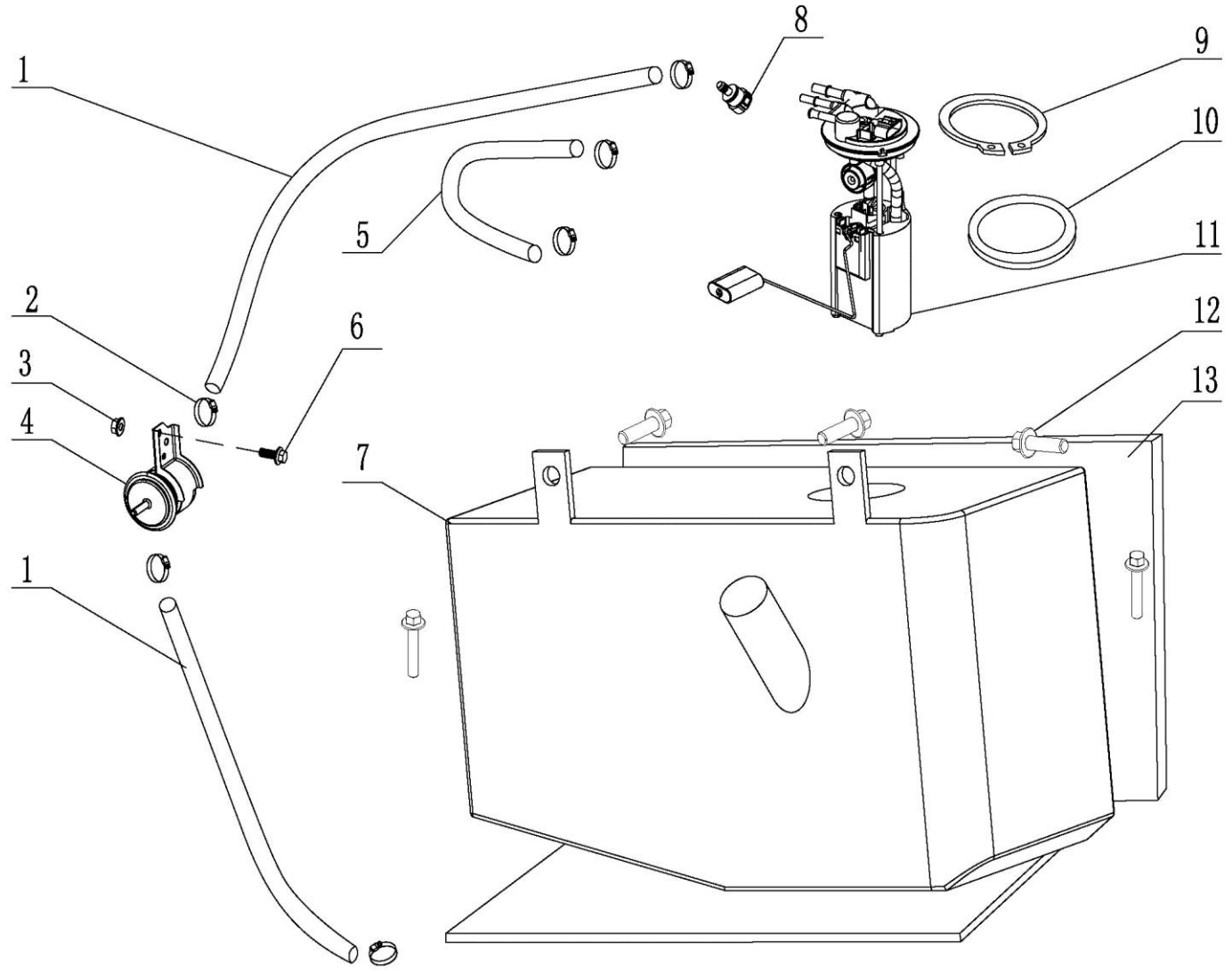
CODE	PART CODE	DESCRIPTION (EN)	DESCRIPTION (CN)	Q' TY	PRICE (\$)	REMARKS
1	H0303230	GLOBE JOINT, GEARSHIFT	换档球头	1		
2	00303010	GEARSHIFT ROD	变档手柄组件	1		
3	GB/T 91 3.2×20	COTTER PIN(3.2×20)	开口销(3.2×20)	1		
4	W0806030	SPACER BUSH(NYLON)	尼龙小隔套	4		
5	GB/T 6187.1 M8	LOCKING NUT(M8)	六角自锁螺母(M8)	1		
6	GB/T 16674.2 M8×20	BOLT, FLANGE(M8×20)	六角法兰面螺栓(M8×20)	1		
7	00109010	THROTTLE CABLE	油门拉线	1		
8	S0303012	E-CIRCLIP	异形卡簧(φ10×φ20×1)	1		
9	00109030	TORSION SPRING	油门踏板大扭簧	1		
10	GB/T 6170 M6	NUT(M6)	六角螺母(M6)	1		
11	W0109050	FIXING PLATE	油门固定板组件	1		
12	GB/T 16674.2 M6×50	BOLT, FLANGE(M6×50)	六角法兰面螺栓(M6×50)	1		全螺纹
13	W0109030	TORSION SPRING	扭簧(小)	1		
14	00303020	CABLE, GEARSHIFT	换档拉索组件	1		
15	GB/T 91 2×30	COTTER PIN(2×30)	开口销(2×30)	2		
16	W0109010	THROTTLE PEDAL	油门踏板	1		
17	GB/T 882 8×20	PIN(φ8×20)	销轴(φ8×20)	1		
18	00303030	SHIFT ARM	换挡终端摆臂	1		
19	GB/T 93 6	SPRING WASHER(φ6)	弹簧垫圈(φ6)	1		
20						
21						
22						
23						
24						

F12 空气滤清器 AIR FILTER



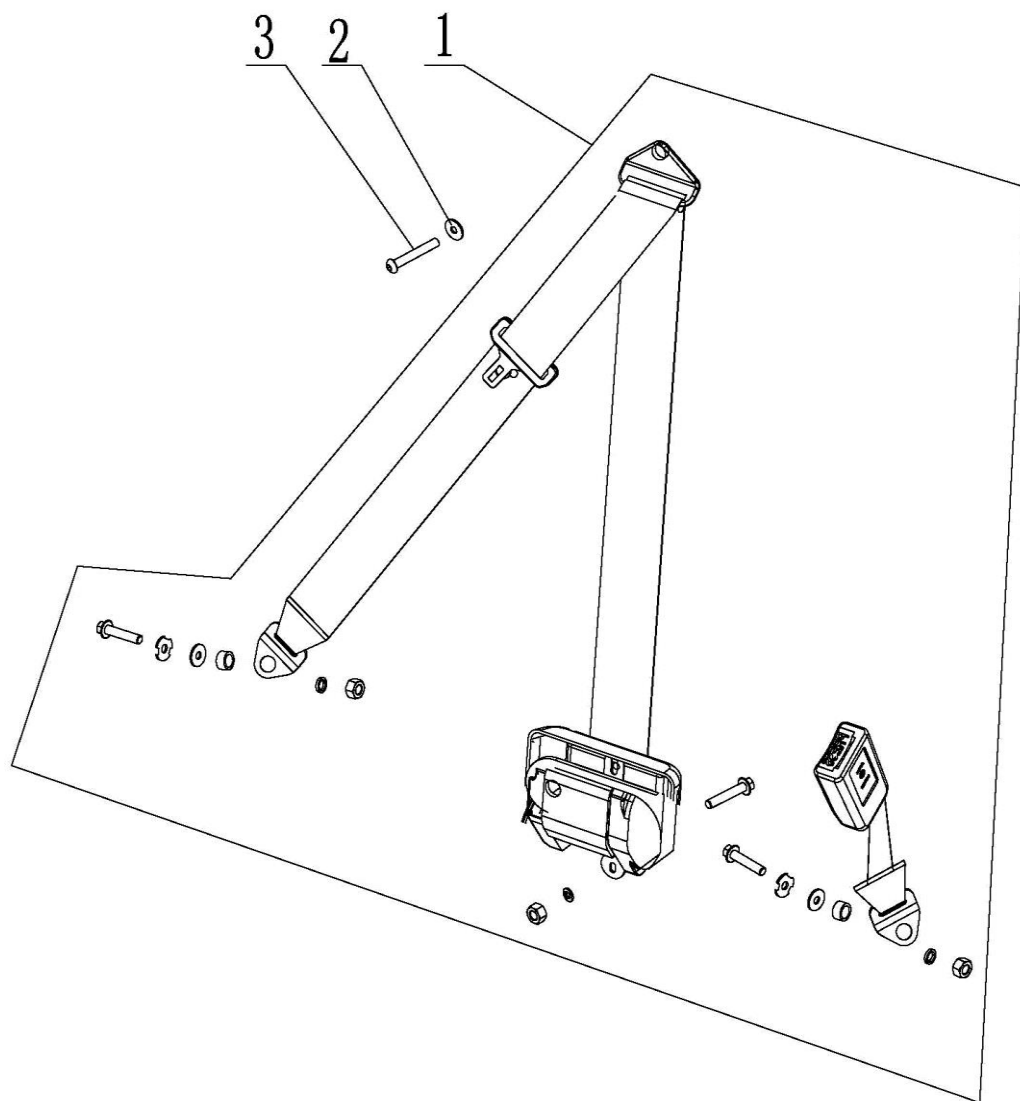
CODE	PART CODE	DESCRIPTION (EN)	DESCRIPTION (CN)	Q' TY	PRICE (\$)	REMARKS
1	A0105040	AIR FILTER ASSY	空滤器总成	1		
2	A1209032	AIR HOSE , CRANKCASE (400mm)	汽油管 (400mm EPA)	1		
3	S0301002	CLAMP (Φ 10- Φ 16)	抱箍 (Φ 10- Φ 16)	2		
4	A0110190	CARBON CANISTER CONTROL VALVE	怠速空气控制阀	2		
5	A1209030	FUEL HOSE (130mm EPA)	汽油管 (130mm EPA)	2		
6	S0302112	CLAMP (Φ 10)	卡箍 (Φ 10)	4		
7	GB/T 16674.2 M6×12	BOLT, FLANGE (M6×12)	六角法兰面螺栓 (M6×12)	4		
8	00105020	BRACKET, AIR FILTER	空滤器固定支架	1		
9	GB/T 6187.1 M6	LOCKING NUT (M6)	六角自锁螺母 (M6)	2		
10	00105010	BRACKET, AIR FILTER	空滤器支架组件	1		
11	GB/T 16674.2 M6×20	BOLT, FLANGE (M6×20)	六角法兰面螺栓 (M6×20)	2		
12	A0110090	AIR TEMPERATURE TRANSDUCER	进气温度传感器	1		
13						
14						
15						
16						
17						
18						
19						
20						
21						
22						
23						
24						

F13 燃油系统 FUEL SYSTEM



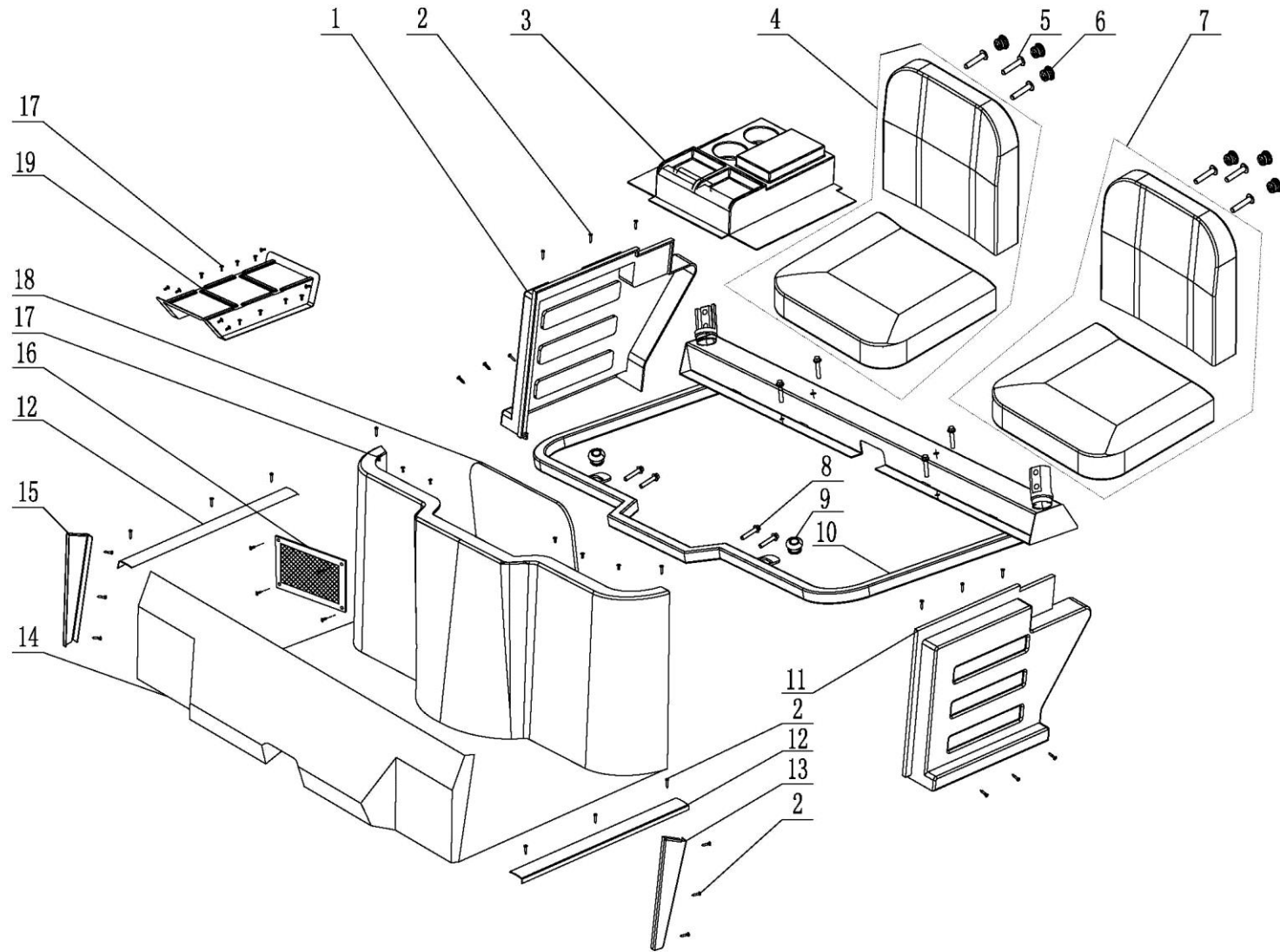
CODE	PART CODE	DESCRIPTION (EN)	DESCRIPTION (CN)	Q' TY	PRICE (\$)	REMARKS
1	A1209032	FUEL HOSE (660mm)	燃油管 (EPA)	2		
2	S0301003	CIRCLIP (φ 13- φ 19)	抱箍 (φ 13- φ 19)	6		
3	GB/T 6187.1 M8	LOCKING NUT (M8)	六角自锁螺母 (M8)	1		
4	A1209071	FUEL FILTER SET	汽油滤清器 (电喷)	1		
5	F1209040	FUEL HOSE	油泵回油管	1		
6	GB/T 16674.2 M8×20	BOLT, FLANGE (M8×20)	六角法兰面螺栓 (M8×20)	1		
7	O1209010	FUEL TANK	油箱组件	1		
8	F1209070	JOINT, FUEL HOSE	电油泵出油管接头	1		
9	GB/T 893.2 110	HOOP	内卡簧	1		
10	F1209080	“O” SEAL RING (φ 6× φ 100)	O型密封圈 (φ 6× φ 100)	1		
11	O1209020	FUEL PUMP	电动燃油泵	1		
12	GB/T 16674.2 M6×16	BOLT, FLANGE (M6×16)	六角法兰面螺栓 (M6×16)	5		
13	A1220050	HEAT INSULATION (450×350×5)	座椅框侧边隔热棉 (450×350×5)	2		
14						
15						
16						
17						
18						
19						
20						
21						
22						
23						
24						

F14 安全带组件 SEAT SAFETY BELT



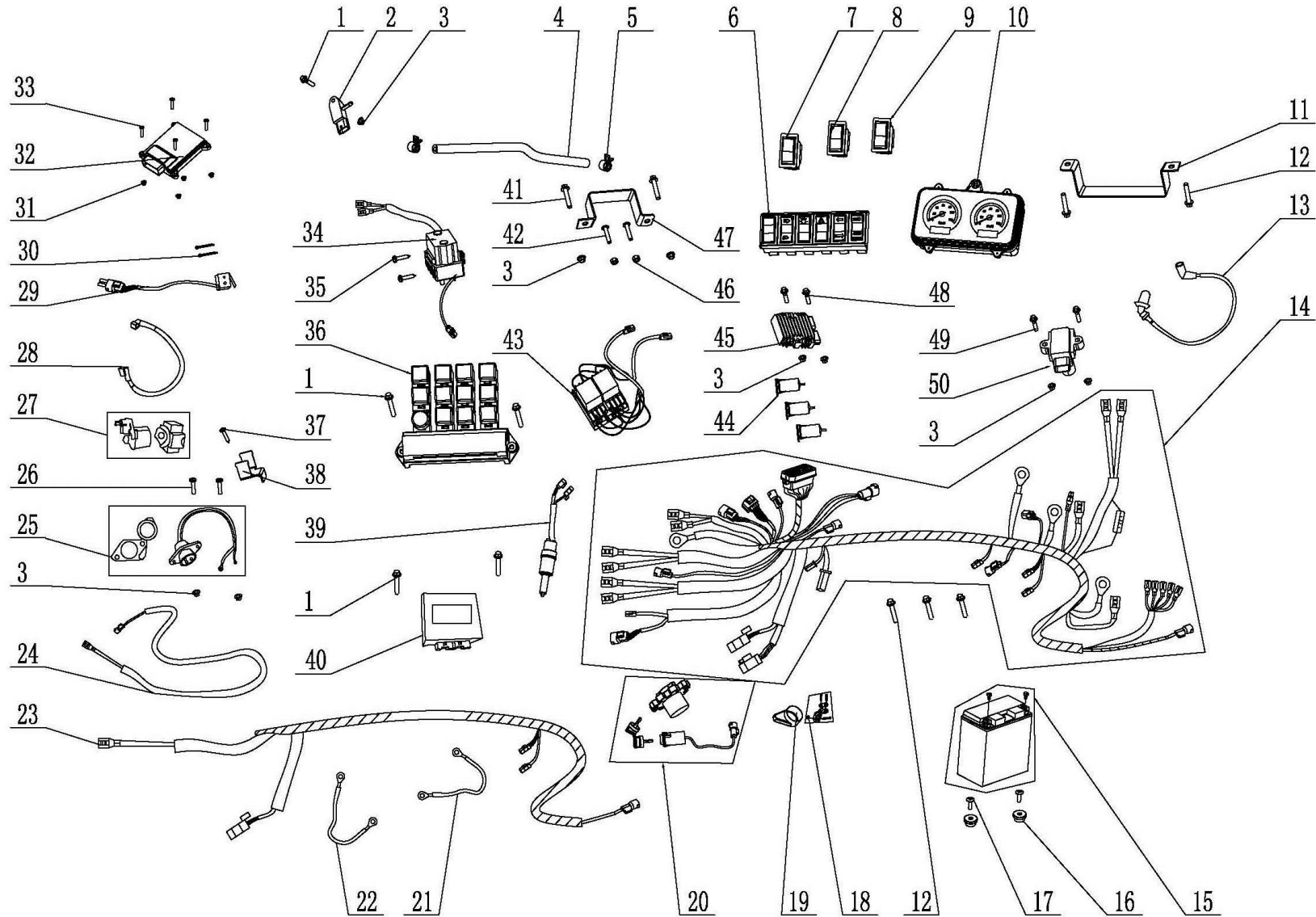
CODE	PART CODE	DESCRIPTION (EN)	DESCRIPTION (CN)	Q' TY	PRICE (\$)	REMARKS
1	01111010	SEAT SAFETY BELT ASSY	安全带组件	2		
2	GB/T 95 10	WASHER(Φ 10× Φ 20×1)	平垫片(Φ 10× Φ 20×1)	2		
3	GB/T 70.1 M10×1.25×25	BOLT(M10×1.25×25)	内六角半圆头螺栓(M10×1.25×25)	2		
4						
5						
6						
7						
8						
9						
10						
11						
12						
13						
14						
15						
16						
17						
18						
19						
20						
21						
22						
23						
24						

F15 座椅组件 SEAT ASSY



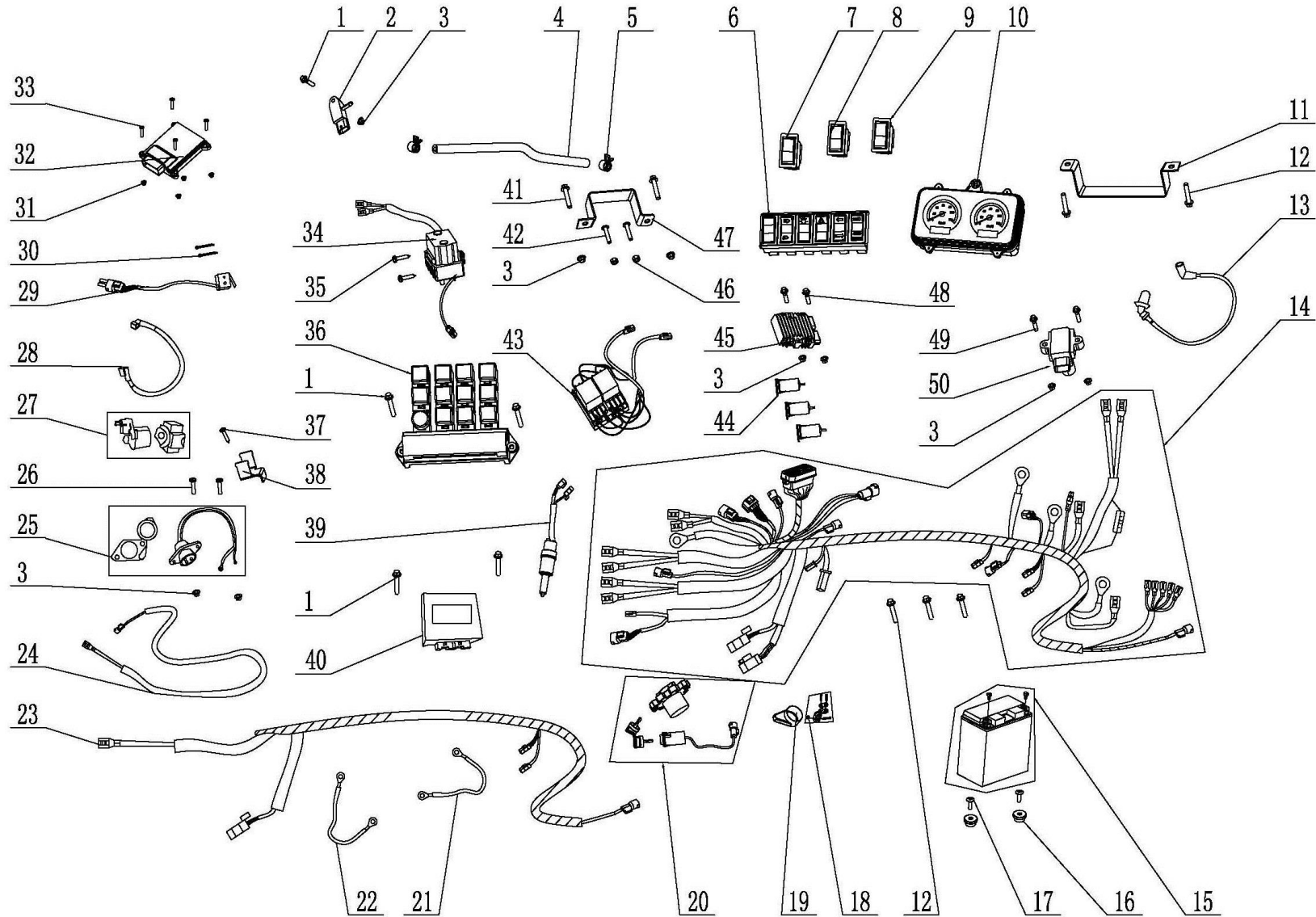
CODE	PART CODE	DESCRIPTION (EN)	DESCRIPTION (CN)	Q' TY	PRICE (\$)	REMARKS
1	01206030	SEAT SIDE BOARD (R)	座椅右侧板	1		
2	GB/T 845 4.8×16	SCREW (ST4.8×16)	十字半圆头自攻螺钉 (ST4.8×16)	26		
3	01113010	ENGINE COVER	发动机罩	1		
4	A1212020	RIGHT SEAT ASSY	右座椅总成	1		
5	GB/T 70.1 M10×1.25×25	BOLT (M10×1.25×25)	内六角半圆头螺栓 (M10×1.25×25)	6		
6	H1222020	COBBRA	后货架堵头	6		
7	A1212010	LEFT SEAT ASSY	左座椅总成	1		
8	GB/T 16674.1 M8×16	BOLT, FLANGE (M8×16)	六角法兰面螺栓 (M8×16)	8		
9	J1205020	CARD BLOCK SEAT	座椅卡块	2		
10	01205010	SEAT BASE ASSY	座椅框组件	1		
11	01206020	SEAT SIDE BOARD (L)	座椅左侧板	1		
12	01223010	MAIN FRAME SIDE BOARD	车架侧边板	2		
13	01109010	SIDE BOARD (L)	副梁侧板 (左)	1		
14	01214010	FLOOR BOARD	地板	1		
15	01109020	SIDE BOARD (R)	副梁侧板 (右)	1		
16	01206010	SEAT COVER	座椅框下围板组件	1		
17	S0501002	RIVET (Φ5×16)	拉铆钉 (Φ5×16)	24		
18	A1220050	HEAT INSULATION	座椅框侧边隔热棉	1		
19	01214020	DRIVE SHAFT COVER	传动轴罩	1		
20						
21						
22						
23						
24						

F16 电气系统 ELECTRICAL SYSTEM



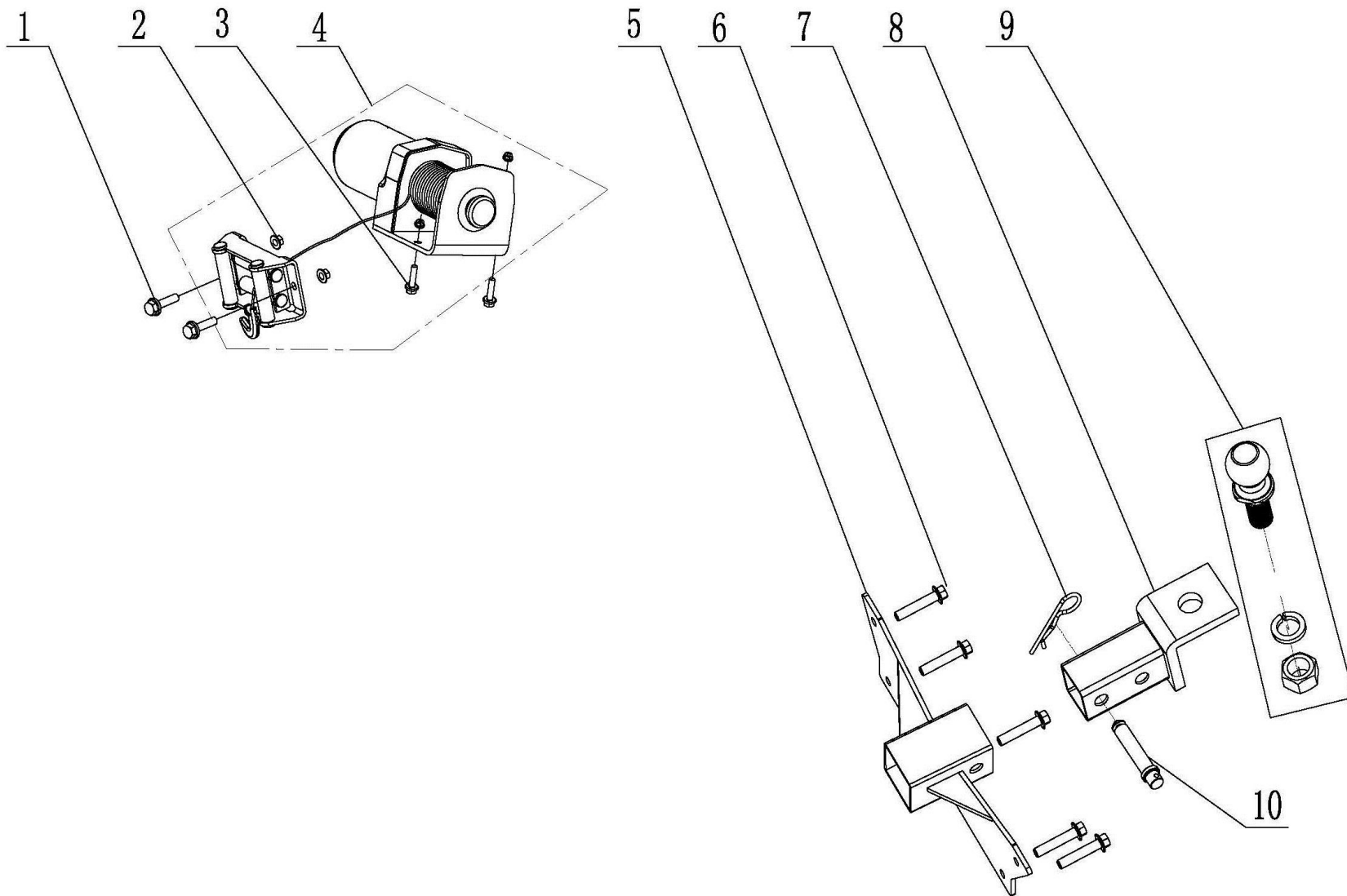
CODE	PART CODE	DESCRIPTION (EN)	DESCRIPTION (CN)	Q' TY	PRICE (\$)	REMARKS
1	GB/T 16674.1 M6×20	BOLT, FLANGE (M6×20)	六角法兰面螺栓 (M6×20)	5		
2	A0110080	AIR PRESSURE TRANSDUCER	进气压力传感器	1		
3	GB/T 6187.1 M6	LOCKING NUT (M6)	六角锁紧螺母 (M6)	9		
4	H1209040	FUEL HOSE (330mm EPA)	汽油管 (330mm EPA)	1		
5	S0302112	CLAMP (Φ10)	卡箍 (Φ10)	2		
6	01005010	COMBINED SWITCH ASSY	组合开关	1		
7	01005020	SWITCH OF DUMPING PUMP	顶泵开关	1		
8	01005030	WINCH SWITCH	绞盘开关	1		
9	A1005020	SWITCH, POWER SUPPLY	电源开关	1		
10	01013013	METER ASSY	仪表总成	1		
11	01016010	HOLDER, SPEED METER	车速表抱架	1		
12	GB/T 16674.1 M6×12	BOLT, FLANGE (M6×12)	六角法兰面螺栓 (M6×12)	5		
13	A0110130	HIGH VOLTAGE COIL	高压点火线总成	1		
14	01001010	MAIN CABLE ASSY	线束	1		
15	A1002010	BATTERY	蓄电池	1		
16	A0104030	RUBBER WASHER	缓冲胶垫 (薄)	2		
17	GB/T 819.1 M6×16	SCREW (M6×16)	十字大扁头螺栓 (M6×16)	2		
18	A1002040	CLAMP, BATTERY	蓄电池桩头夹子	1		
19	A1002030	ANODE JACKET, BATTERY	蓄电池正极护套	1		
20	A1005050	IGNITION SWITCH	点火开关组件	1		带油箱盖
21	01001020	GROUND WIRE	搭铁线	1		
22	01011040	START NEGATIVE WIRE	起动负极线	1		
23	01001030	CARGO BOX CABLE ASSY	车厢线束	1		
24	01011030	START POSITIVE WIRE	起动正极线	1		
25	01017020	CAPSTAN SOCKET	绞盘插座	1		

F16 电气系统 ELECTRICAL SYSTEM



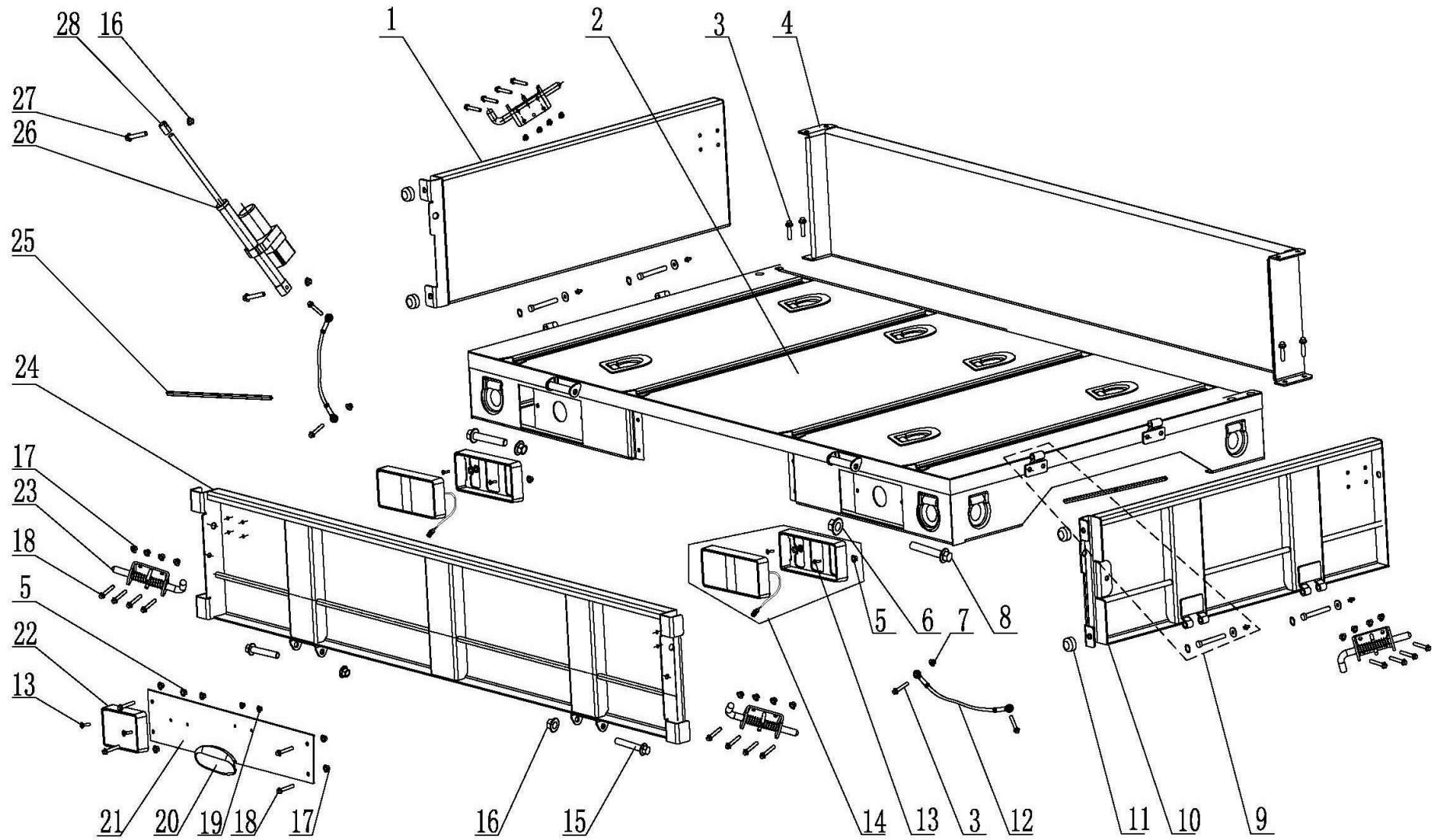
CODE	PART CODE	DESCRIPTION (EN)	DESCRIPTION (CN)	Q' TY	PRICE (\$)	REMARKS
26	GB/T 818 M6×16	SCREW (M6×16)	十字半圆头螺栓 (M6×16)	2		
27	A1011090	STARTING RELAY	起动继电器	1		
28	A1011100	STARTING RELAY POSITIVE	起动继电器正极线	1		
29	J1005010	SWITCH, BRAKE LIGHT	手刹车开关	1		
30	GB/T 91 2×20	PIN, SPLIT (2×20)	开口销 (2×20)	2		
31	GB/T 6187.1 M5	LOCKING NUT (M5)	六角锁紧螺母 (M5)	4		
32	A0110110	ECU	ECU	1		
33	GB/T 818 M5×20	SCREW (M5×20)	十字半圆头螺栓 (M5×20)	4		
34	O1011020	WINCH RELAY	绞盘继电器组件	1		
35	GB/T 845 4.2×12	SCREW (ST4.2×12)	十字半圆头自攻螺钉 (ST4.2×12)	2		
36	O1015010	FUSE BOX ASSY	保险盒	1		
37	GB/T 845 4.8×16	SCREW (ST4.8×16)	十字半圆头自攻螺钉 (ST4.8×16)	1		
38	O1011010	STARTING RELAY HOLDER	起动继电器座	1		
39	A1005030	BRAKE LIGHT SWITCH	刹车灯开关	1		
40	O1011090	EPS CONTROLLER	EPS控制器	1		
41	GB/T 16674.1 M6×16	BOLT, FLANGE (M6×16)	六角法兰面螺栓 (M6×16)	2		
42	GB/T 818 M4×20	SCREW (M4×20)	十字半圆头螺栓 (M4×20)	2		
43	A1011080	2WD & 4WD CONVERSION RELAY	二四驱转换继电器总成	1		
44	O1017010	POWER SOCKET	电源输出插座	3		
45	A0110180	RECTIFIER	整流器总成	1		
46	GB/T 6170 M4	NUT (M4)	六角螺母 (M4)	2		
47	A1011020	LAYERING	二四驱转换继电器压条	1		
48	GB/T 16674.1 M6×30	BOLT, FLANGE (M6×30)	六角法兰面螺栓 (M6×30)	2		
49	GB/T 16674.1 M6×25	BOLT, FLANGE (M6×25)	六角法兰面螺栓 (M6×25)	2		
50	A0110120	IGNITION COIL	点火线圈	1		

F17 绞盘、拖车球头 WINCH ASSY、HITCH BALL



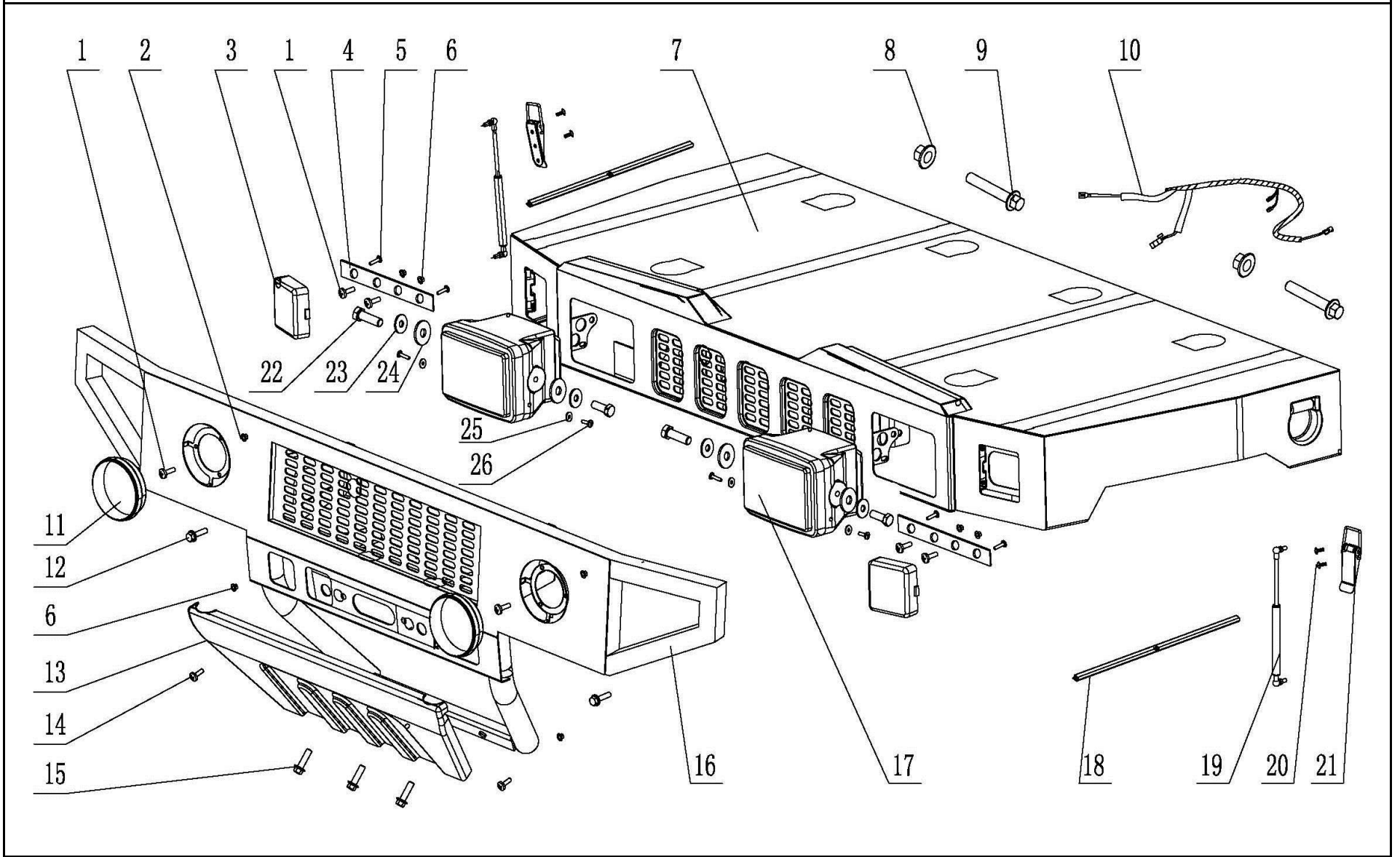
CODE	PART CODE	DESCRIPTION (EN)	DESCRIPTION (CN)	Q' TY	PRICE (\$)	REMARKS
1	GB/T 16674.2 M8×25	BOLT, FLANGE (M8×25)	六角法兰面螺栓 (M8×25)	2		
2	GB/T 6187.1 M8	LOCKING NUT (M8)	六角自锁螺母 (M8)	4		
3	GB/T 16674.2 M8×20	BOLT, FLANGE (M8×20)	六角法兰面螺栓 (M8×20)	4		
4	01010010	WINCH ASSY (3000h)	绞盘总成 (3000磅)	1		
5	01219010	TOWING BRACKET ASSY	拖车固定架组件	1		
6	GB/T 16674.2 M10×1.25×25	BOLT, FLANGE (M10×1.25×25)	六角法兰面螺栓 (M10×1.25×25)	8		
7	A1219010	“R” PIN	拖钩R形销	1		
8	A1219060	EXTENSION BRACKET ASSY	拖车球头伸缩杆	1		
9	A1219030	HITCH BALL	拖车球头总成	1		
10	A1219020	SAFETY BOLT	拖钩插销	1		
11						
12						
13						
14						
15						
16						
17						
18						
19						
20						
21						
22						
23						
24						

F18 后货箱总成 REAR CARGO BOX ASSY



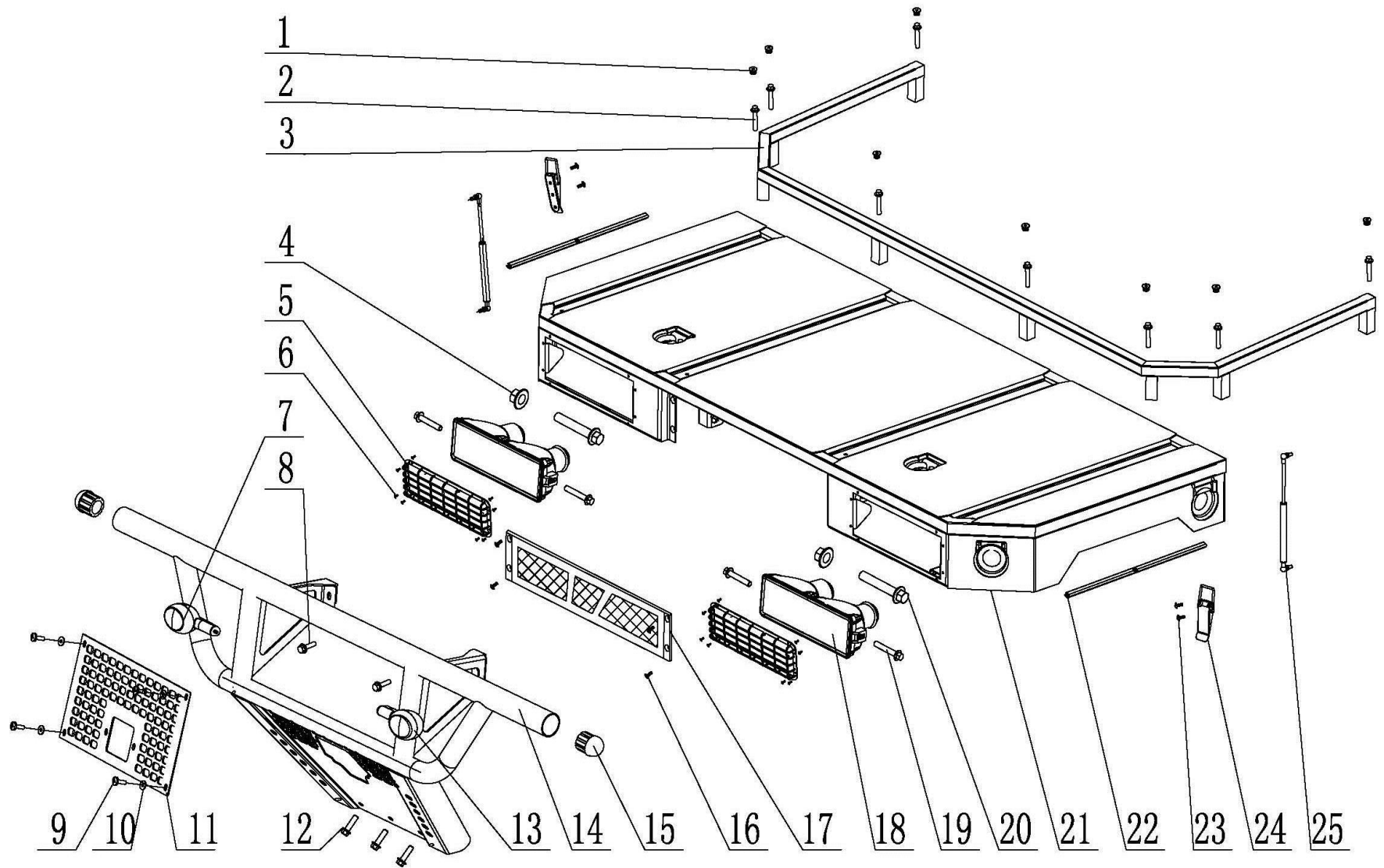
CODE	PART CODE	DESCRIPTION (EN)	DESCRIPTION (CN)	Q' TY	PRICE (\$)	REMARKS
1	01216020	PLATE, REAR CARGO BOX (L)	后箱体左围板组件	1		
2	01216010	REAR CARGO BOX ASSY	后车箱总成	1		
3	GB/T 16674.2 M8×20	BOLT, FLANGE (M8×20)	六角法兰面螺栓 (M8×20)	8		
4	01216040	PLATE, REAR CARGO BOX (FR)	后箱体前围板组件	1		
5	GB/T 6187.2 M6	LOCKING NUT (M6)	六角锁紧螺母 (M6)	6		
6	GB/T 6187.2 M12×1.25	LOCKING NUT (M12×1.25)	六角锁紧螺母 (M12×1.25)	2		
7	GB/T 6187.1 M8×1.25	LOCKING NUT (M8×1.25)	六角自锁螺母 (M8×1.25)	2		
8	GB/T 16674.2 M12×1.25×75	BOLT, FLANGE (M12×1.25×75)	六角法兰面螺栓 (M12×1.25×75)	2		
9	R15E1004	HINGE ASSY, REAR CARGO BOX	后货箱合页	4		厂家买来焊上去
10	01216030	PLATE, REAR CARGO BOX (R)	后箱体右围板组件	1		
11	H1209130	RUBBER WASHER	油箱圆形缓冲胶垫	4		
12	W1216180	CABLE, REAR CARGO BOX	后车箱拉索	2		
13	GB/T 819.1 M6×14	BOLT (M6×14)	十字沉头螺栓 (M6×14)	6	白锌	
14	01008030	REVERSE LIGHT	后刹车转向灯	2		
15	GB/T 16674.2 M10×1.25×95	BOLT, FLANGE (M10×1.25×95)	六角法兰面螺栓 (M10×1.25×95)	2		
16	GB/T 6187.1 M10×1.25	LOCKING NUT (M10×1.25)	六角自锁螺母 (M10×1.25)	4		
17	GB/T 6187.1 M6	LOCKING NUT (M6)	六角自锁螺母 (M6)	20		
18	GB/T 16674.2 M6×16	BOLT, FLANGE (M6×16)	六角法兰面螺栓 (M6×16)	20		
19	GB/T 6187.2 M5	LOCKING NUT (M5)	六角锁紧螺母 (M5)	2		
20	G1008070	LICENSE PLATE LIGHT	牌照灯	1		
21	01016030	HOLDER, SEAT BELT	倒车灯固定板	1		
22	01008020	TAILLIGHT	倒车灯	1		
23	01216060	SOCKET, REAR CARGO BOX	后车箱插座	4		
24	01216050	PLATE, REAR CARGO BOX (RR)	后货箱后围板组件	1		
25	A0907040	BLOCK POLE (520mm)	卡条 (520mm)	2		
26	01009020	DUMPING PUMP ASSY	顶泵总成	1		
27	GB/T 16674.2 M10×1.25×55	BOLT, FLANGE (M10×1.25×55)	六角法兰面螺栓 (M10×1.25×55)	2		
28	01009010	JOINT, DUMPING PUMP	后车箱顶泵头	1		

F19 前货箱总成 I FRONT CARGO BOX ASSY I



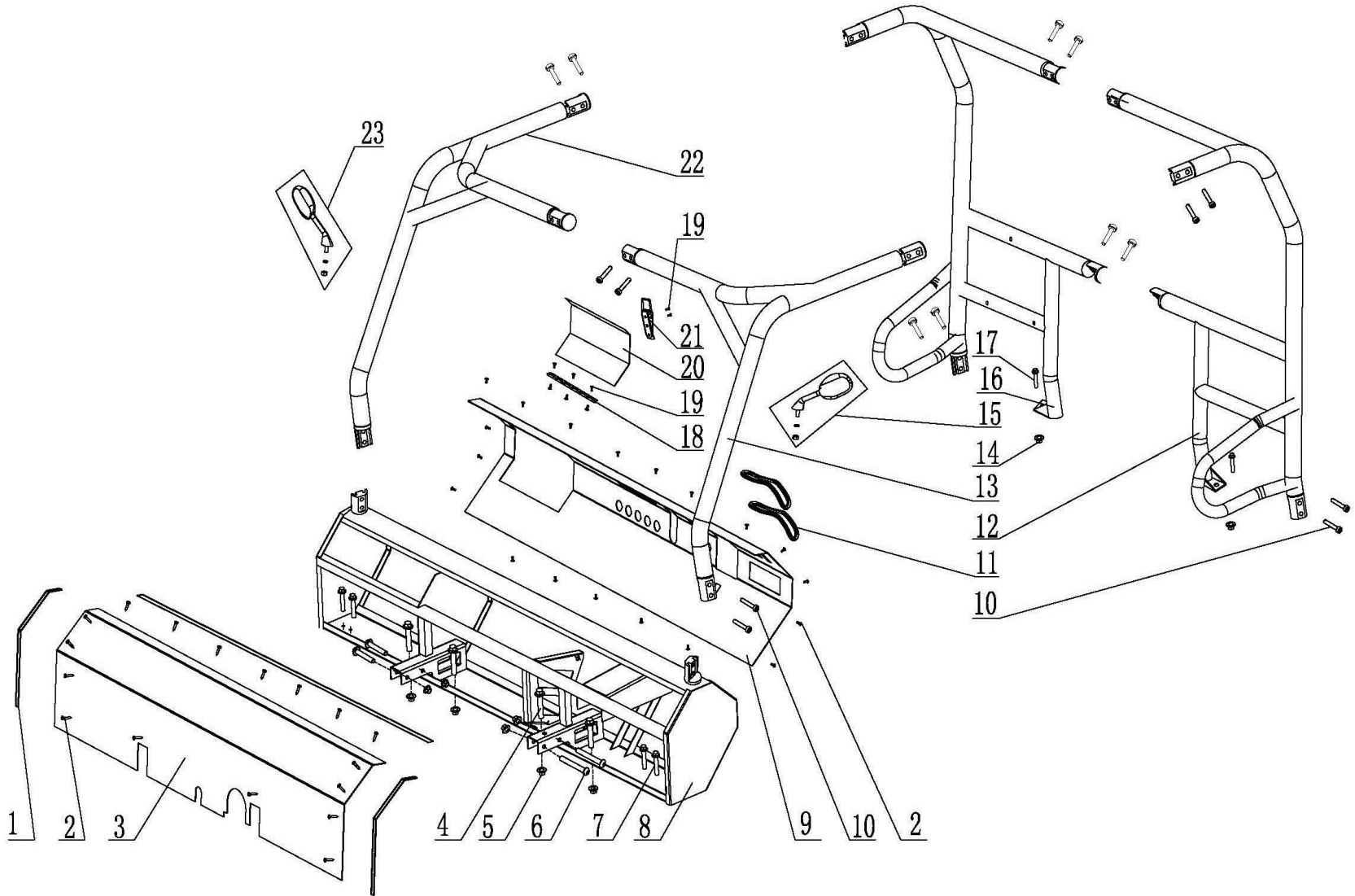
CODE	PART CODE	DESCRIPTION (EN)	DESCRIPTION (CN)	Q' TY	PRICE (\$)	REMARKS
1	GB/T 819.1 M6×16	SCREW (M6×16)	十字大扁头螺栓 (M6×16)	6		
2	GB/T 6187.2 M6	LOCKING NUT (M6)	六角自锁螺母 (M6)	2		
3	01008050	FRONT TURNING LIGHT	前转向灯	2		
4	01016090	TURN LIGHTS FIXED PLATE	转向灯固定板	2		
5	GB/T 823 M6×16	SCREW (M6×16)	十字槽小盘头螺钉 (M6×16)	4		
6	GB/T 6187.2 M6	LOCKING NUT (M6)	六角锁紧螺母 (M6)	6		
7	01101011	FRONT CARGO BOX	前车箱焊接组件	1		
8	GB/T 6187.2 M10×1.25	LOCKING NUT (M10×1.25)	六角锁紧螺母 (M10×1.25)	2		
9	GB/T 16674.2 M10×1.25×60	BOLT, FLANGE (M10×1.25×60)	六角法兰面螺栓 (M10×1.25×60)	2		
10	01001090	CARGO BOX CABLE ASSY	前载货平台电缆	1		
11	01008060	SPRING	雾灯	2		
12	GB/T 16674.1 M8×20	BOLT, FLANGE (M8×20)	六角法兰面螺栓 (M8×20)	2		
13	01203021	DECORATING PLATE	保险杆下装饰板	1		
14	GB/T 819.1 M6×20	SCREW (M6×20)	十字大扁头螺栓 (M6×20)	2		
15	GB/T 16674.2 M10×1.25×25	BOLT, FLANGE (M10×1.25×25)	六角法兰面螺栓 (M10×1.25×25)	3		
16	01203011	BUMPER	保险杆组件	1		
17	01008011	HEADLIGHT	前大灯组件	2		
18	A0907040	BLOCK POLE (370mm)	卡条 (370mm)	2		
19	01101020	SPRING	气弹簧	2		
20	S0501002	RIVET (Φ5×16)	拉铆钉 (Φ5×16)	4		
21	C1212170	SEAT LOCK	箱扣	2		
22	GB/T 5782 M8×20	BOLT (M8×20)	外六角螺栓 (M8×20)	4		厂家自带
23	GB/T 95 8	WASHER (Φ8×Φ20×1)	平垫片 (Φ8×Φ20×1)	4		厂家自带
24	S0404002	RUBBER WASHER (Φ8)	橡胶垫片 (Φ8)	4		厂家自带
25	GB/T 95 5	WASHER (Φ5×Φ10×1)	平垫片 (Φ5×Φ10×1)	4		厂家自带
26	GB/T 819.1 M5×16	BOLT (M5×16)	十字沉头螺栓 (M5×16)	4		

F20 前货箱总成 II FRONT CARGO BOX ASSY II



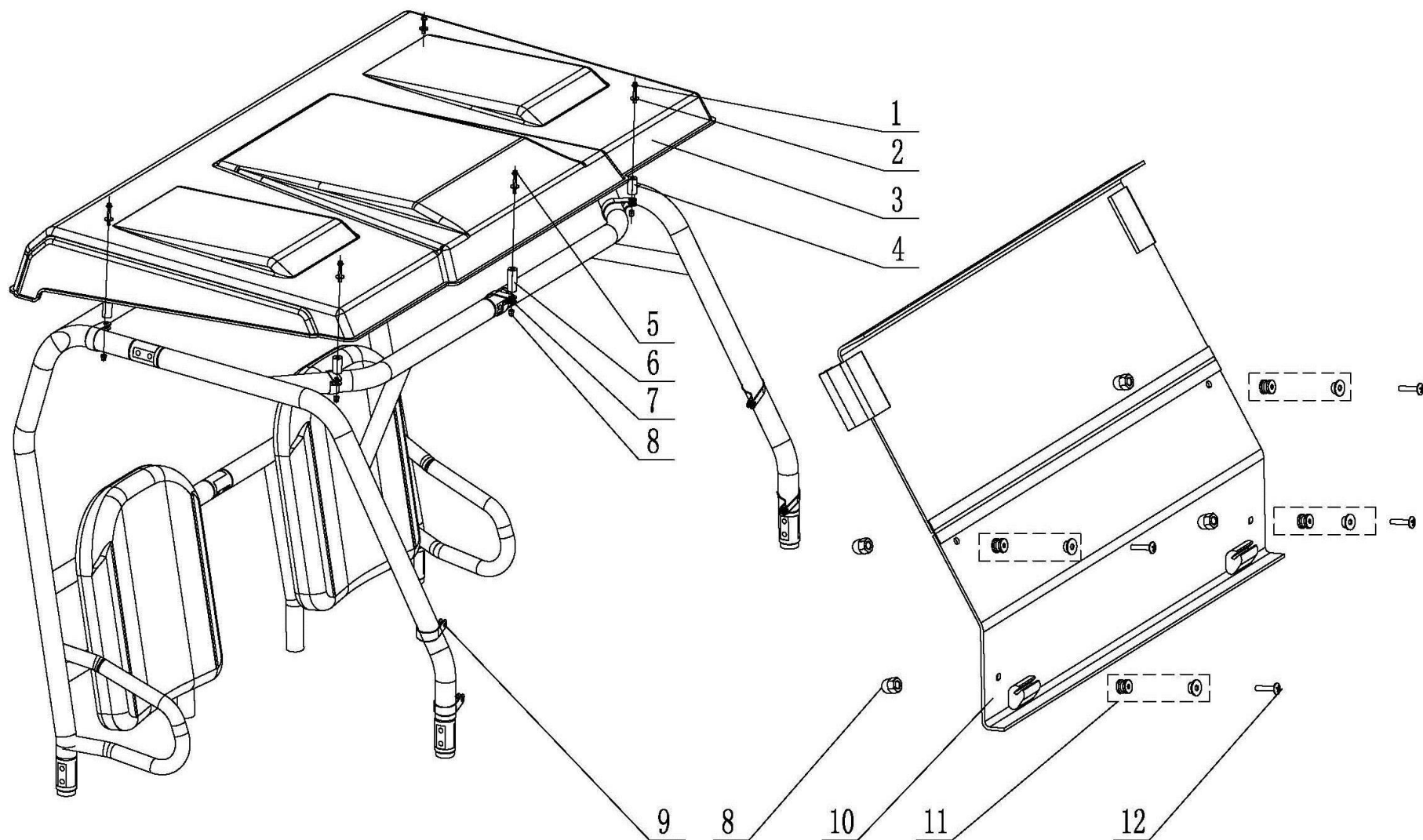
CODE	PART CODE	DESCRIPTION (EN)	DESCRIPTION (CN)	Q' TY	PRICE (\$)	REMARKS
1	H1222020	COBBRA	后货架堵头	8		
2	GB/T 16674.2 M8×75	BOLT, FLANGE (M8×75)	六角法兰面螺栓 (M8×75)	8		
3	01222010	FRONT RACK ASSY	前行李架管焊接组件	1		
4	GB/T 6187.2 M10×1.25	LOCKING NUT (M10×1.25)	六角锁紧螺母 (M10×1.25)	2		
5	01016050	COVER, HEADLIGHT	前大灯罩组件	2		
6	S0501001	RIVET (Φ4×16)	拉铆钉 (Φ4×16)	16		
7	F1008021	FRONT TURNING LIGHT (R)	前后转向灯 (右)	1		
8	GB/T 16674.1 M8×20	BOLT, FLANGE (M8×20)	六角法兰面螺栓 (M8×20)	2		
9	GB/T 819.1 M6×16	SCREW (M6×16)	十字大扁头螺栓 (M6×16)	4		
10	S0404001	RUBBER WASHER (Φ6)	橡胶垫片 (Φ6)	4		
11	01203020	DECORATING PLATE	前护杆装饰板	1		
12	GB/T 16674.2 M10×1.25×25	BOLT, FLANGE (M10×1.25×25)	六角法兰面螺栓 (M10×1.25×25)	3		
13	F1008020	FRONT TURNING LIGHT (L)	前后转向灯 (左)	1		
14	01203010	BUMPER	前保险杠组件	1		
15	A1203030	COBBRA, BUMPER	保险杠堵头	2		
16	GB/T 845 4.8×16	SCREW (ST4.8×16)	十字半圆头自攻螺钉 (ST4.8×16)	4		
17	01102010	DECORATING PLATE	装饰板	1		
18	01008010	HEADLIGHT ASSY	连体前大灯	2		
19	GB/T 16674.1 M6×20	BOLT, FLANGE (M6×20)	六角法兰面螺栓 (M6×20)	4		
20	GB/T 16674.2 M10×1.25×60	BOLT, FLANGE (M10×1.25×60)	六角法兰面螺栓 (M10×1.25×60)	2		
21	01101010	FRONT CARGO BOX	前平台组件	1		
22	A0907040	BLOCK POLE (370mm)	卡条 (370mm)	2		
23	S0501002	RIVET (Φ5×16)	拉铆钉 (Φ5×16)	4		
24	C1212170	SEAT LOCK	箱扣	2		
25	01101020	SPRING	气弹簧	2		

F21 龙门框总成 CEILING JOIST



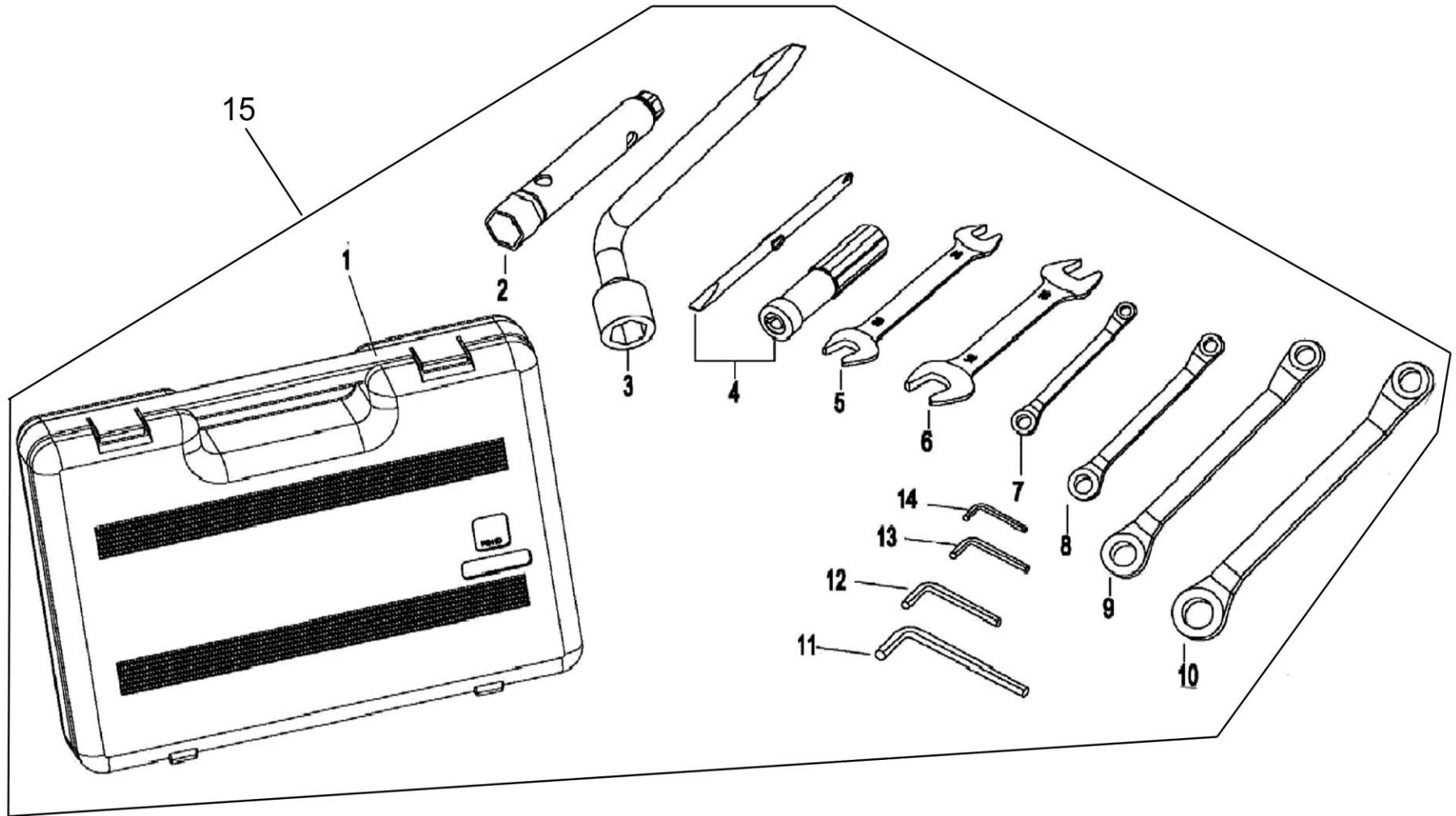
CODE	PART CODE	DESCRIPTION (EN)	DESCRIPTION (CN)	Q' TY	PRICE (\$)	REMARKS
1	01405010	SEAT LOCK	叶子板胶条	3		1200mm, 350mm×2
2	GB/T 845 4.8×16	SCREW(ST4.8×16)	十字半圆头自攻螺钉(ST4.8×16)	35		
3	01105020	FRONT SKIRT, METER	仪表台前围板	1		
4	GB/T 16674.2 M10×1.25×20	BOLT, FLANGE(M10×1.25×20)	六角法兰面螺栓(M10×1.25×20)	4		
5	GB/T 6187.2 M10×1.25	LOCKING NUT(M10×1.25)	六角自锁螺母(M10×1.25)	8		
6	GB/T 70.1 M10×1.25×60	BOLT(M10×1.25×60)	内六角半圆头螺栓(M10×1.25×60)	4		
7	GB/T 16674.2 M8×16	BOLT, FLANGE(M8×16)	六角法兰面螺栓(M8×16)	4		
8	01201020	METER SUPPORT ASSY	仪表台总成	1		
9	01105010	METER PLATE	仪表板	1		
10	GB/T 70.1 M10×25	BOLT(M10×25)	内六角螺栓(M10×25)	18		
11	A0907040	BLOCK POLE(380mm)	卡条(380mm)	2		
12	01202030	REAR PROTECT POLE ASSY(L)	龙门框左后框组件	1		
13	01202010	FRONT PROTECT POLE ASSY(L)	龙门框左前框组件	1		
14	GB/T 6187.2 M10×1.25	LOCKING NUT(M10×1.25)	六角锁紧螺母(M10×1.25)	2		
15	A1008160	REAR VIEW MIRROR(L)	左后视镜	1		
16	01202040	REAR PROTECT POLE ASSY(R)	龙门框右后框组件	1		
17	GB/T 16674.2 M10×1.25×25	BOLT, FLANGE(M10×1.25×25)	六角法兰面螺栓(M10×1.25×25)	2		
18	01112050	HINGE, STORE BOX CAP	置物箱盖板合页	1		
19	S0501001	RIVET(φ4×16)	拉铆钉(φ4×16)	12		
20	01112010	STORE BOX CAP	置物箱盖板	1		
21	C1212170	SEAT LOCK	箱扣	1		
22	01202020	FRONT PROTECT POLE ASSY(R)	龙门框右前框组件	1		
23	A1008170	REAR VIEW MIRROR(R)	右后视镜	1		
24						

F22 顶棚、挡风玻璃 CEILING JOIST, WINDSHIELD ASSY



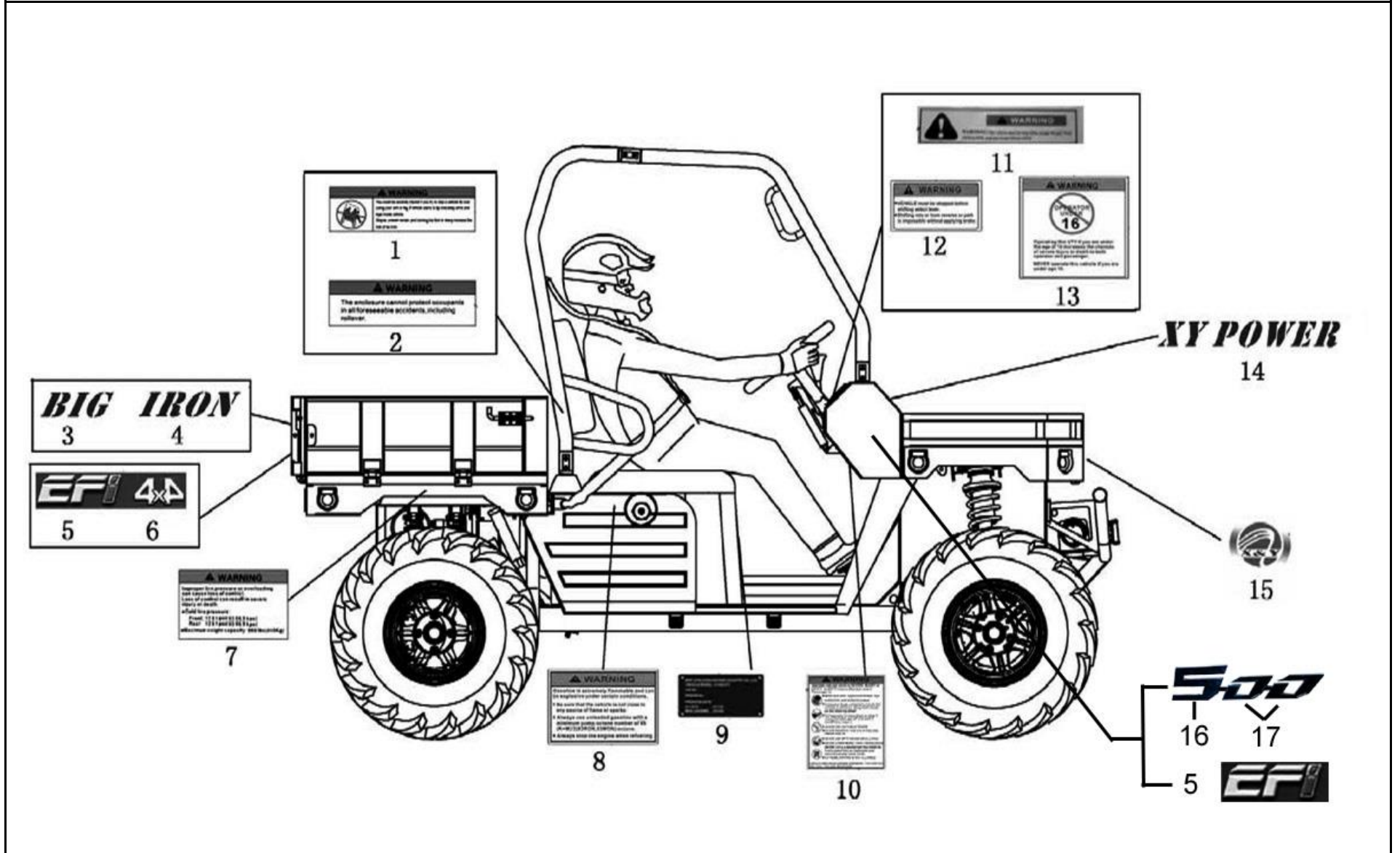
CODE	PART CODE	DESCRIPTION (EN)	DESCRIPTION (CN)	Q' TY	PRICE (\$)	REMARKS
1	GB/T 16674.1 M6×55	BOLT, FLANGE (M6×55)	六角法兰面螺栓 (M6×55)	4		
2	GB/T 95 6	WASHER (φ 6× φ 12×1.6)	平垫片 (φ 6× φ 12×1.6)	5		
3	01106010	CEILING JOIST	顶棚	1		
4	W1202060	CENTER SPACER, HOOP	抱箍隔套	4		
5	GB/T 16674.1 M6×70	BOLT, FLANGE (M6×70)	六角法兰面螺栓 (M6×70)	1		
6	01202050	CENTER SPACER, HOOP	抱箍隔套	1		
7	W1202030	HOOP (φ 45)	抱箍 (φ 45)	5		
8	GB/T 923 M6	CAP NUT (M6)	盖形螺母 (M6)	9		
9	01302040	WINDSHIELD ASSY HOOP	挡风玻璃抱箍	4		
10	01302011	FOLDING WINDSHIELD	折叠式挡风玻璃	1		
11	01302050	WINDSHIELD ASSY CENTER SPACER	挡风玻璃隔套	4		
12	GB/T 819.1 M6×30	SCREW (M6×30)	十字大扁头螺栓 (M6×30)	4		
13						
14						
15						
16						
17						
18						
19						
20						
21						
22						
23						
24						

F23 随车工具 TOOLS



CODE	PART CODE	DESCRIPTION (EN)	DESCRIPTION (CN)	Q' TY	PRICE (\$)	REMARKS
1	Z0999094	TOOL BOX	工具箱	1		
2	U0700051	WRENCH, PLUG	火花塞套筒	1		
3	U0700049	WRENCH PLUG, TIRE	轮胎套筒	1		
4	U0800017	SCREWDRIVER	两用起子	1		
5	U0102006	SPANNER (12-14)	开口扳手 (12-14)	1		
6	U0102007	SPANNER (13-15)	开口扳手 (13-15)	1		
7	U0101001	SPANNER (5.5-7)	梅花扳手 (5.5-7)	1		
8	U0101003	SPANNER (8-10)	梅花扳手 (8-10)	1		
9	U0101009	SPANNER (14-17)	梅花扳手 (14-17)	1		
10	U0101011	SPANNER (17-19)	梅花扳手 (17-19)	1		
11	U0601006	INNER HEX SPANNER (10mm)	内六角扳手 (10mm)	1		
12	U0601005	INNER HEX SPANNER (8mm)	内六角扳手 (8mm)	1		
13	U0601004	INNER HEX SPANNER (6mm)	内六角扳手 (6mm)	1		
14	U0601003	INNER HEX SPANNER (5mm)	内六角扳手 (5mm)	1		
15	A1407010	TOOLS ASSY	随车工具	1		
16						
17						
18						
19						
20						
21						
22						
23						
24						

F24 标识 LABELS



CODE	PART CODE	DESCRIPTION (EN)	DESCRIPTION (CN)	Q' TY	PRICE (\$)	REMARKS
1	A1402020	WARNING LABEL (R)	安全警告(右)	1		
2	A1402010	WARNING LABEL (L)	安全警告(左)	1		
3	01402020	LABEL 1, REAR CARGO BOX	贴花(BIG)	1		
4	01402030	LABEL 2, REAR CARGO BOX	贴花(IRON)	1		
5	W1402010	MARKS, HEAD COVER	“EFI” 标牌	3		
6	H1402120	MARKS, DRIVE FORMAT	驱动形式标牌	1		
7	A1402110	LABEL, TYRE PRESSURE	轮胎气压标识	1		
8	A1402220	PRTROL WARNING STICKY	汽油警告标贴	1		
9	01403010	MANUFACTURER PLATE	制造商铝牌	1		
10	W1402040	LABEL, SAFETY MESSAGES	安全须知标识	1		
11	A1402210	WARNING LABEL, FROM 4WD TO 2WD!	二四驱转换警示标贴	1		
12	A1402150	LABEL, GEARSHIFT	换挡警告贴花	1		
13	A1402080	LABEL, AGE LIMITED	年龄限制标贴	1		
14	01402040	LABEL, FRONT CARGO BOX	车前盖贴花	1		
15	H1402160	“XY”LOGO	标牌	1		
16	01402050	“5” LABLE	“5” 标牌	2		
17	01402060	“00” LABLE	“00” 标牌	2		
18						
19						
20						
21						
22						
23						
24						